

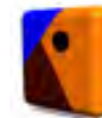


Tiptiptap^{ou}

COLOR OPTIONS

PANEL RAL COLORS

AMAZON



RAL8019 dark brown (plywood only)

WATER WORLD



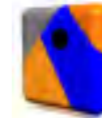
RAL5003 blue, Pantoner 383 pistachio

PIRATE WORLD



RAL9011 black, RAL5003 blue

ZODIAC



RAL5003 blue, RAL8023 brown-orange, RAL7037 gray

FOREST PISTACHIO



Pantoner 383 pistachio

FOREST FUCHSIA



RAL4004 fuchsia

FOREST RED



RAL3020 red

SUMMER



RAL1023 yellow, RAL5003 blue, RAL6005 green, RAL3020 red, RAL brown-orange

AUTUMN



RAL9011 black

LEGEND



height of structure



width of structure



length of structure



max. fall height



recommended age of users



for simultaneous use by several children



wheelchair access



LM202 SUM
Summer



Summer



LM202 FORP
Forest pistachio



Forest pistachio



LM202 FORF
Forest fuchsia



Forest fuchsia



LM202 FORR
Forest red



Forest red



LM202 AUT
Autumn



Autumn

COLOR OPTIONS:



Summer

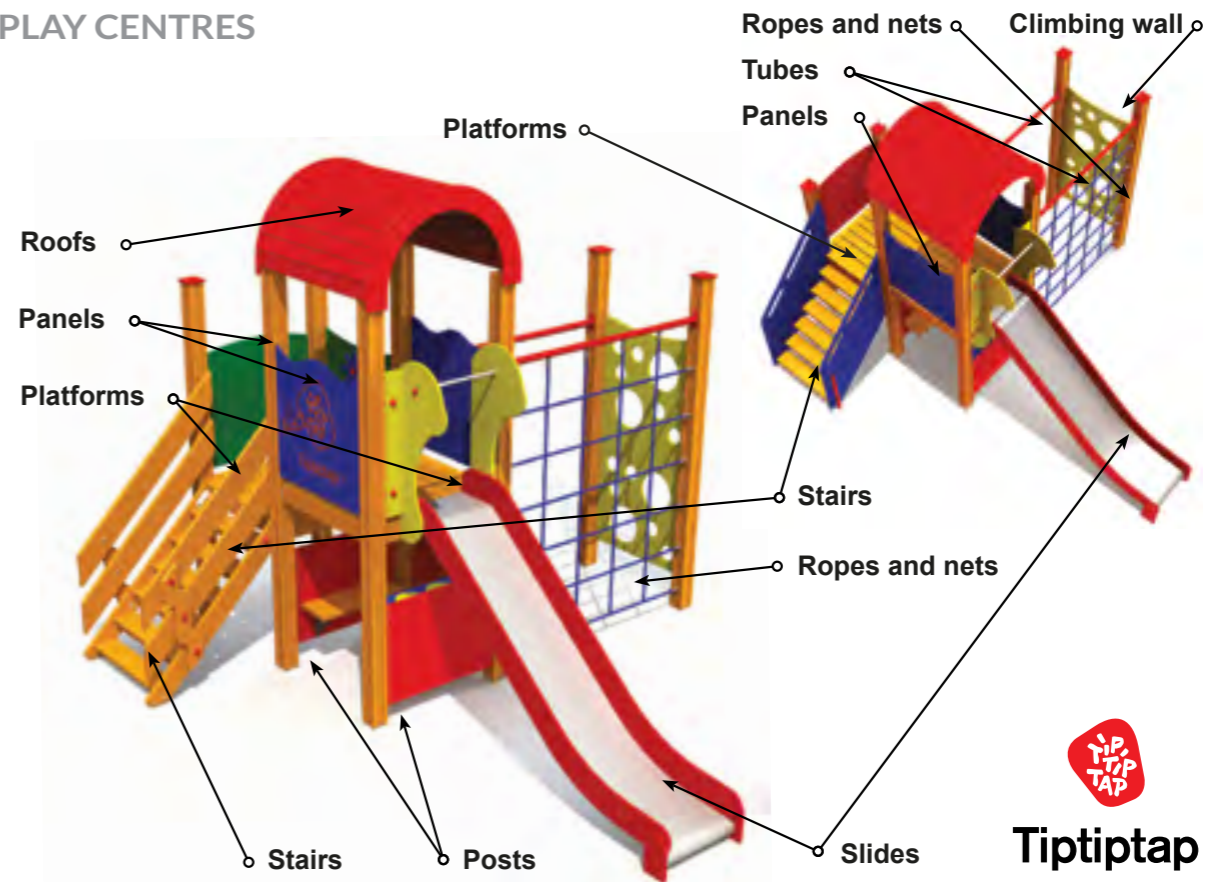
Forest pistachio

Forest fuchsia

Forest red

Autumn

PLAY CENTRES



Tiptap

Material options

Tiptap products are safe, durable and of high quality. When creating a new product, we think of future users for whom the attraction must be safe, fulfil its purpose, be fun to use, beautiful to look at.

Our **standard** range uses glued laminated timber posts. The posts are impregnated with anti-mould and anti-rot agent; primed with clear wood preservative; finished with two layers of special translucent exterior paint.

All our products are available also as **maintenance free (MF)**. The main constructions in the maintenance free range are made of aluminium. Platforms, stairs, ramps and slopes are additionally covered with abrasion- and anti-slip 2-component UV-resistant elastomer plastic coating.

	PE (standard)	MF (maintenance free)
Posts	Laminated wood	Powder coated aluminium
Platforms	Laminated wood	Plastic covered laminated wood
Panels	HDPE plastic	HDPE plastic
Climbing walls	HDPE plastic	HDPE plastic
Roofs	HDPE plastic	HDPE plastic
Tubes	Zinc and powder coated steel	Zinc and powder coated steel
Ropes and nets	Six-strand PES cover braided steel ropes	Six-strand PES cover braided steel ropes
Slides	Stainless steel and HDPE plastic	Stainless steel and HDPE plastic
Stairs	Laminated wood	Plastic covered laminated wood
Climbing grips	HDPE plastic	HDPE plastic
Fixings	Stainless steel	Stainless steel



Our products are tested by TÜV Süd Product Service GmbH, TÜV-certified and meet the standard EN 1176:2017

TABLE OF CONTENTS

<i>OUR STORY</i>	4
<i>Series</i>	
<i>TRIBUTE TO WILDLIFE</i>	9
<i>OCTO</i>	21
<i>AMAZON</i>	29
<i>WATER WORLD</i>	41
<i>PIRATE WORLD</i>	51
<i>ZODIAC</i>	63
<i>FARM</i>	75
<i>URBAN</i>	79
<i>Playground equipment</i>	
<i>PLAY CENTRES</i>	83
<i>CLIMBING FRAMES</i>	125
<i>SWINGS</i>	143
<i>SPRING SWINGS AND SEE-SAWS</i>	155
<i>THEME PLAY</i>	165
<i>SANDBOXES</i>	191
<i>CAROUSELS</i>	197
<i>BALANCING AND EXERCISE</i>	203
<i>PLAY ELEMENTS</i>	221
<i>SPORTS EQUIPMENT</i>	223
<i>STREET WORKOUT</i>	229
<i>PARKOUR</i>	239
<i>OUTDOOR FURNITURE</i>	241
<i>SKATEPARKS</i>	251



A family business which grew with its smallest family members

Estonians are used to think several steps ahead. So in 2003 while waiting for our daughter's birth my wife Kadri and I started to plan and design our own backyard playground. But the selection of homemade playgrounds was almost nonexistent. As a parent you do everything for your child, so I obtained the necessary tools and materials and made a start!

I consulted my wife, called in my friend for assistance and together we got into such a swing that instead of one planned attraction we made two. Then we took the spare one to a fair where our homespun product immediately found a new owner. Besides this, we were lavished with praise and people were much interested in finding out the place where such products could be bought. By the end of the day, we had decided to start the production! Tiptiptap was born.

By the day our little daughter got on her feet, the company founded by her parents already stood on its own feet. Tiptiptap has grown in parallel with Marii's and her younger brother Rasmus jr's growth and both children are the sources of inspiration and experimenters of the family business products.

As safety is our priority I started the business by familiarising myself with the subject of playground safety and standards. All the Tiptiptap products are safe for children and meet the safety requirements. This is top priority for me as the head of the family and as the chief executive officer of the company.

Today Tiptiptap mainly exports its products to Europe but also to Asia, Africa and the Arab countries. The constantly expanding product series allows us to offer suitable attractions to the countries of different climate and culture. As we like to say, our products are tested in four seasons, because in Estonia we have windy springs, sunny summers, rainy autumns and snowy winters.

Estonian children also know the Tiptiptap playgrounds well as Tiptiptap is the signpost and market leader in our home country. It has been brought up with such care and love as if it were our own child. This is our success formula.

Rasmus Varunov
CEO of Tiptiptap

Who we are today?

We take immense pride in our craftsmanship, meticulously designing and constructing playgrounds, skateparks, and outdoor furniture that exceed industry standards. Our commitment to excellence is evident in every detail, from the robustness that ensures longevity to the captivating designs that beckon both children and adults to engage in wholesome outdoor activities.

Safety is at the core of our philosophy. Our products undergo rigorous testing across diverse weather conditions, guaranteeing their resilience and reliability. Parents can rest easy knowing their children are playing on equipment that meets the highest safety benchmarks.

Step into our factory, a hub of innovation and precision. Our cutting-edge facility boasts an impressive array of modern equipment, highlighted by our 3D and 2D CNC laser cutters. These technological marvels enable us to shape metals and plastics with unparalleled accuracy, bringing to life intricate designs and ensuring every component fits seamlessly.

Efficiency is the heartbeat of our operations. Our skilled team, armed with the latest tools, orchestrates a symphony of production that ensures timely



completion of orders without compromising on quality. Each project is a testament to our dedication, as we transform raw materials into functional works of art that grace parks, recreational areas, and public spaces.

In a world where outdoor experiences are cherished more than ever, we stand as stalwarts of ingenuity and craftsmanship. Our playgrounds, skateparks, and outdoor furniture invite communities to connect, play, and create lasting memories against the backdrop of nature's beauty. Discover the difference of products born from passion, innovation, and a steadfast commitment to enhancing the outdoor experience for all.

20+
years of experience

44+
countries served

17 000+
projects delivered

3200+
tons recycled plastic used

We moved to our new bigger and more high-tech factory in 2023





Tiptaptap 3D planner

Introducing our user-friendly Tiptaptap 3D Planner - a revolutionary tool designed to bring your playground visions to life like never before. With this innovative software, you have the power to transform your ideas into vivid, interactive 3D designs, enabling you to create functional, safe, and captivating play spaces with ease. Whether you're an architect, a designer, a playground enthusiast, or someone seeking to optimize their recreational areas, our 3D Planner offers a user-friendly platform to explore, experiment, and envision the perfect play environment. Unleash your creativity, streamline your planning process, and embark on a virtual

journey to craft playgrounds that inspire and delight.

Tailor your playground to suit different age groups, themes, and safety requirements, all within the intuitive Playground 3D Planner interface. Furthermore, our 3D Planner Software goes beyond mere aesthetics. It employs advanced algorithms to ensure compliance with safety regulations, guiding you through the intricacies of the EN1176 standard. This intelligent tool not only lets you explore creative configurations but also shows you where you can overlap products and where it is not allowed according to the EN1176 standard.

1. Define the area

Designing an entire playground with Tiptaptap 3D planner is easy. You can either pinpoint a location using Google Maps and outline the desired area for your playground or just input the area measurements.

2. Adding products

To select and add the right equipment for your playground, simply drag and drop the desired Tiptaptap product from the user-friendly drop-down list. Each equipment has a pre-configure safety zone, which prevents you from placing items in prohibited or unsafe locations - highlighted in red when necessary. This feature ensures that your playground design not only meets your creative vision but also adheres to safety guidelines.

3. Done

Once you have created your ideal playground layout, the Tiptaptap 3D Planner integrates your chosen products into the shopping basket. Your design can be saved for future reference, allowing you to revisit and revise it whenever inspiration strikes. The Tiptaptap 3D Planner empowers you to visualize your project comprehensively and efficiently, ensuring that no detail is left to chance.





We, at Tiptitap, care about our planet and value the environment and our people.

Our people

We care for our people – our employees, our business partners, distributors, and suppliers. Our safety starts with providing safe work environment for our employees, providing knowledge preventing accidents, so that everyone can take personal responsibility to work safely.



Sustainable development

Our company is built upon sustainable development, combining renewable resources like wood with the use of recycled polyethylene and recycled aluminium to create long-lasting products, which need less maintenance. At Tiptitap, we design and manufacture our products to last. Increasing service life is one of the most effective ways to reduce a product's environmental impact.



Our wood-based products originate from forests managed responsibly, taking into account environmental, social, and economic considerations. They are certified by FSC (Forest Stewardship Council).



Our HDPE includes 50% of recycled plastic derived from production residues.



Almost 60% of our suppliers' aluminium products are recycled aluminium, derived from production residues.

Waste reduction

Our design team ensures that our products are optimised to best utilise materials and minimise waste. 99% of our production residues will either be integrated back into our production process or recycled through our network of service partners, ensuring a new life for these materials.



CO2 reduction

We work diligently on a daily basis to optimize our supply chain with the aim of minimizing CO2 emissions. Our journey towards sustainability demonstrates how responsible choices can seamlessly blend progress with environmental consciousness.



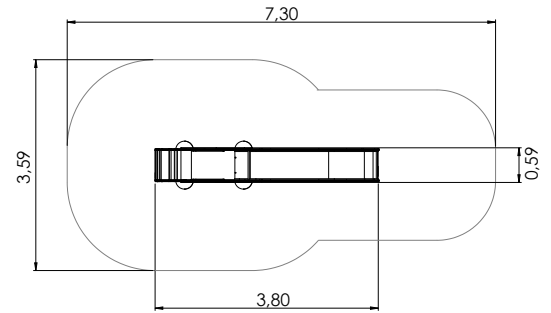
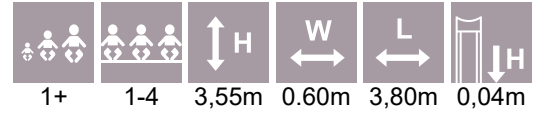
TRIBUTE TO WILDLIFE

WILDLIFE

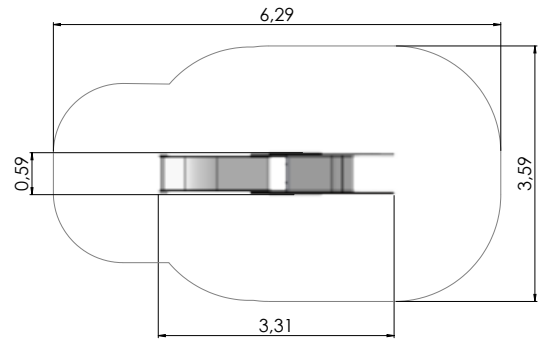


TRIBUTE TO WILDLIFE

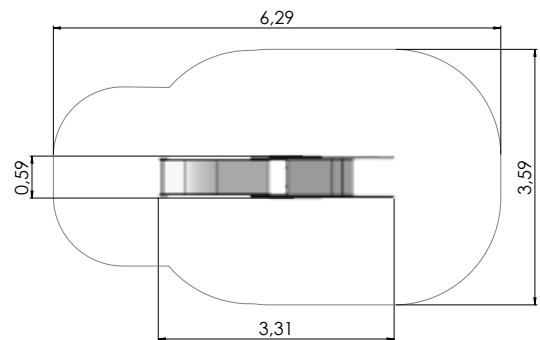
LM501 Slide FOX



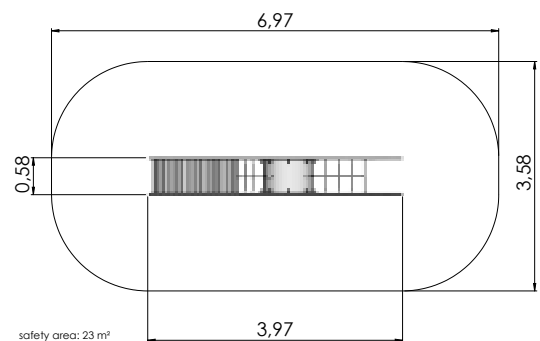
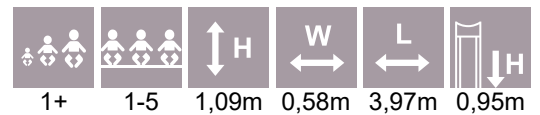
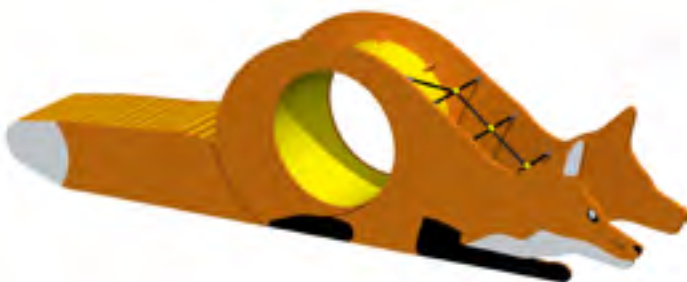
LM502 Slide CASTOR



LM503 Slide RAT

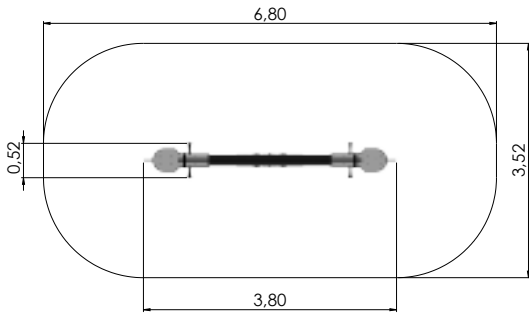
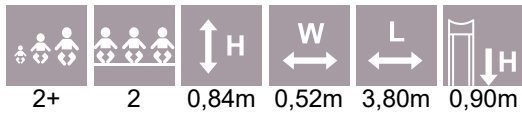


RS202 Climbing Frame FOXHOLE

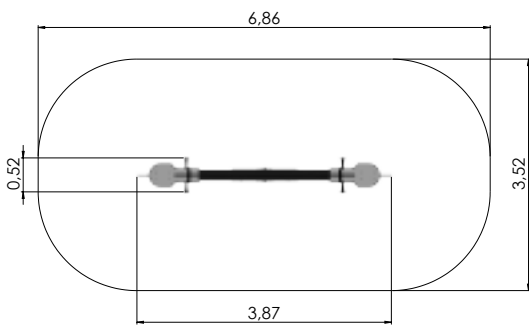
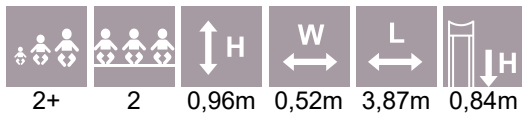


TRIBUTE TO WILDLIFE

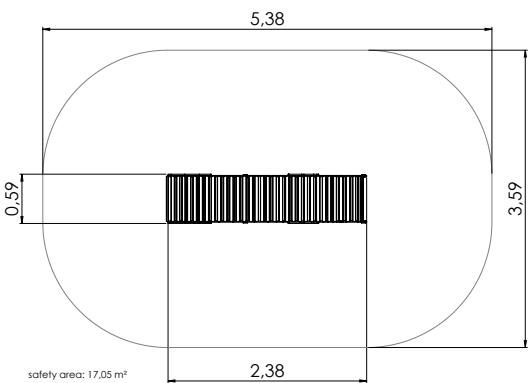
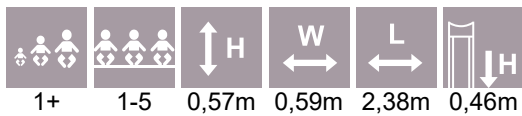
KK1 see-saw SEAL



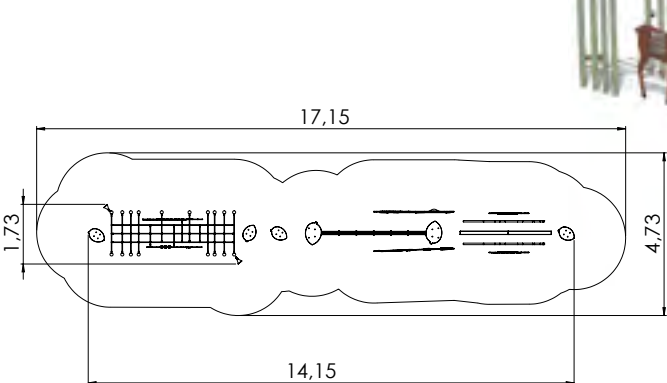
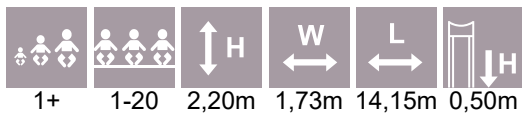
KK2 see-saw WOLVES



PLP200 Parkbench SCIURUS



TKR601 Balancing track DEER TRAIL

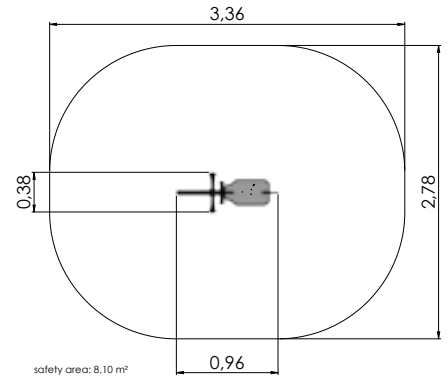
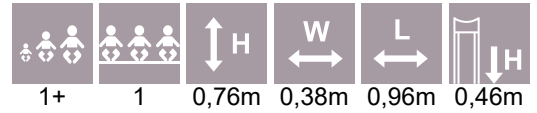




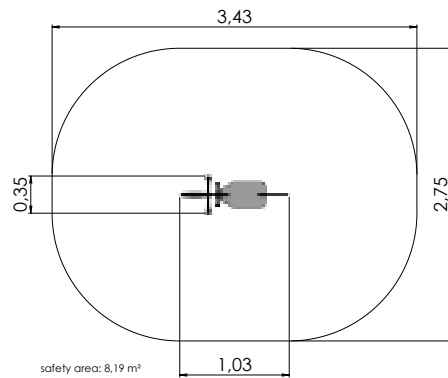
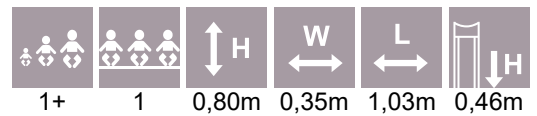


TRIBUTE TO WILDLIFE

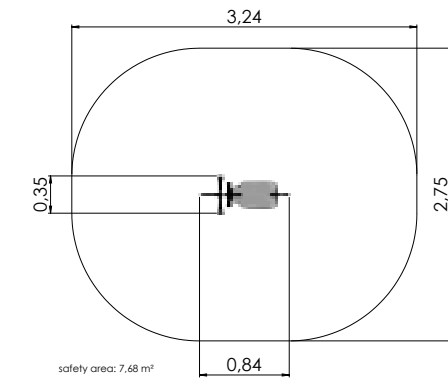
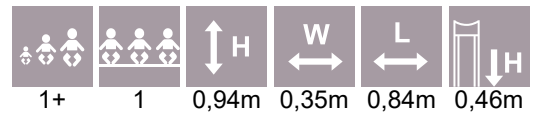
VL52 Spring swing **BADGER**



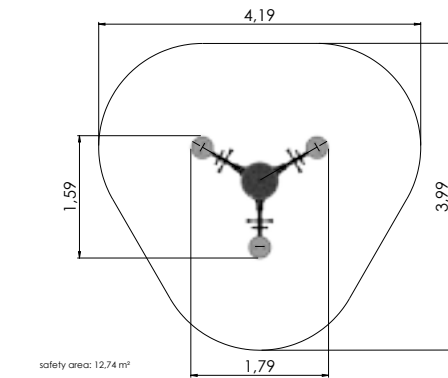
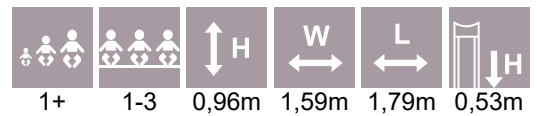
VL55 Spring swing **RACCOON**



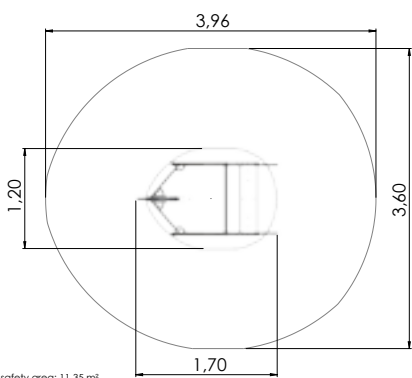
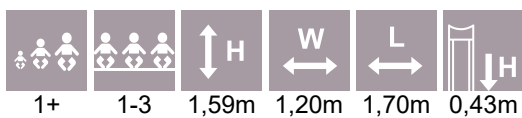
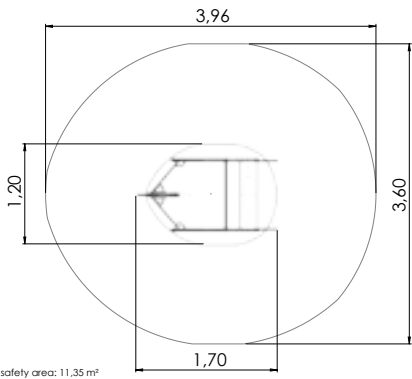
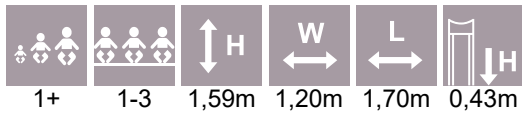
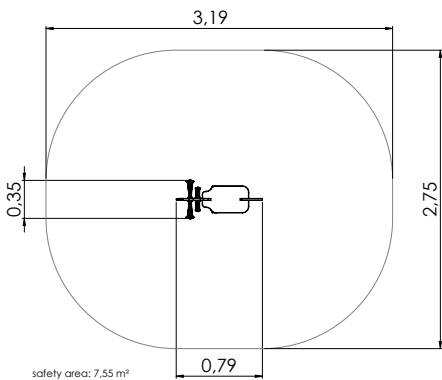
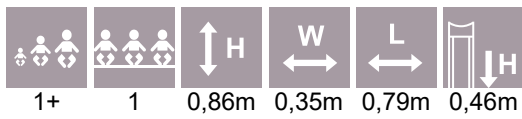
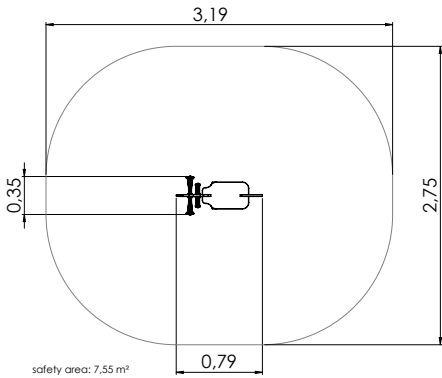
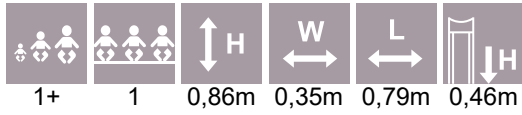
VL56 Spring swing **RABBIT**



VL57 Spring swing **RABBITS**



TRIBUTE TO WILDLIFE



VL54 Spring swing DUCKLING



VL54SW Spring swing SWANLING



VL53 Spring swing SWAN

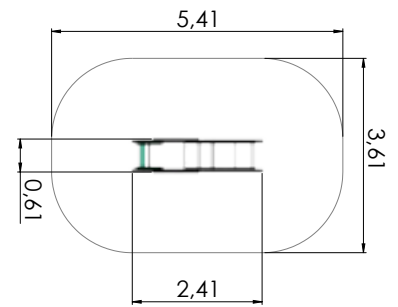


VL53BL Spring swing BLACK SWAN

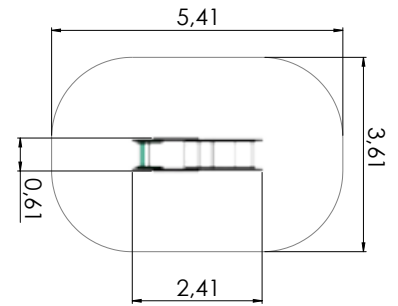


TRIBUTE TO WILDLIFE

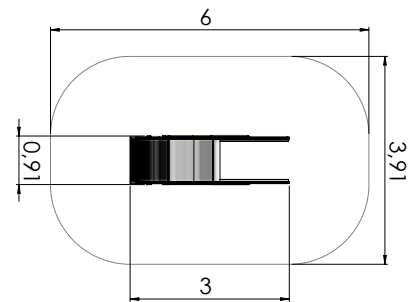
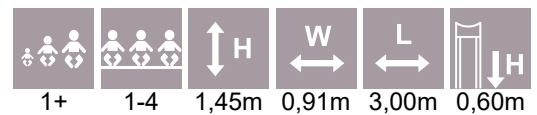
LIND1 Slide CHAFFINCH



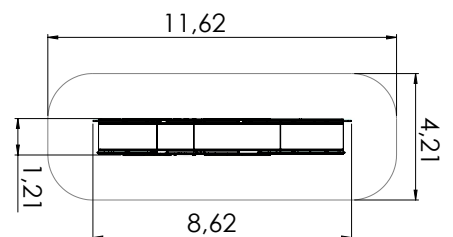
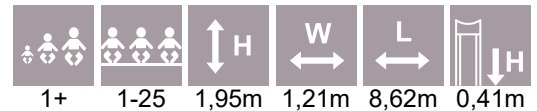
LIND1.1 Slide BULLFINCH



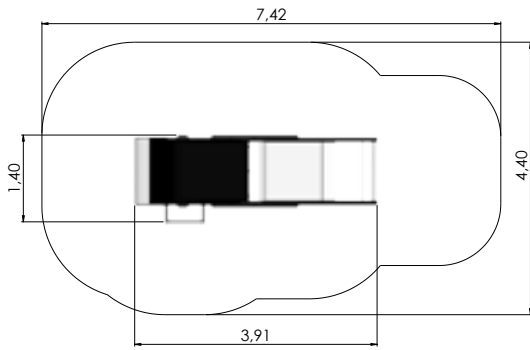
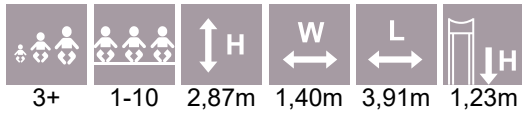
LIND2 Playhouse GREAT TIT



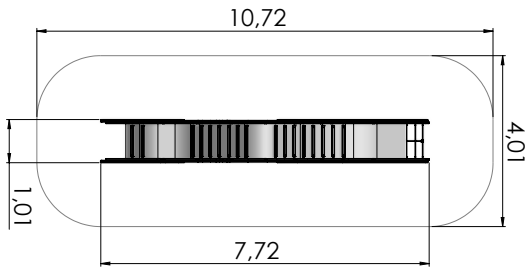
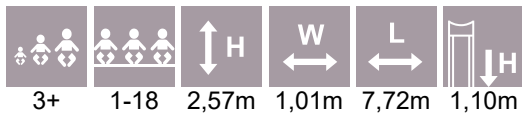
LIND3 Play equipment GREAT TIT WITH A SLOPE
For kids with special needs



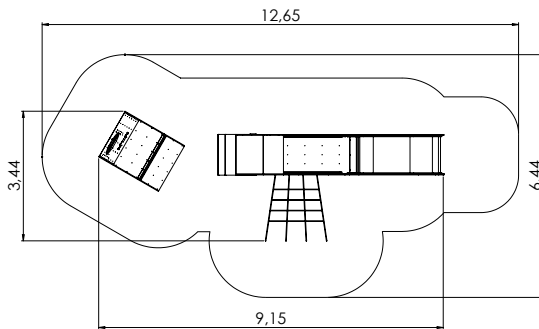
TRIBUTE TO WILDLIFE



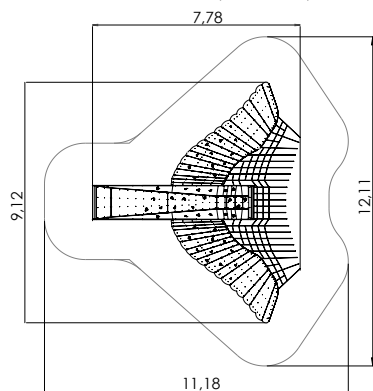
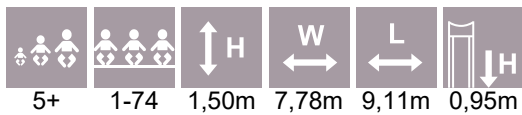
LIND4 Slide BLACKBIRD



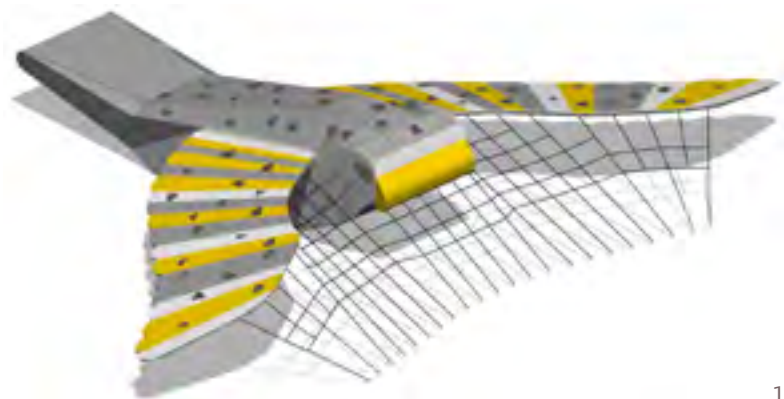
LIND5 Climbing frame JACKDAW



LIND6 Climbing frame - slide CROW



LIND7 Climbing frame GOSHAWK

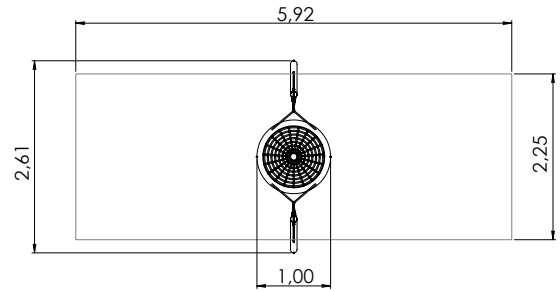




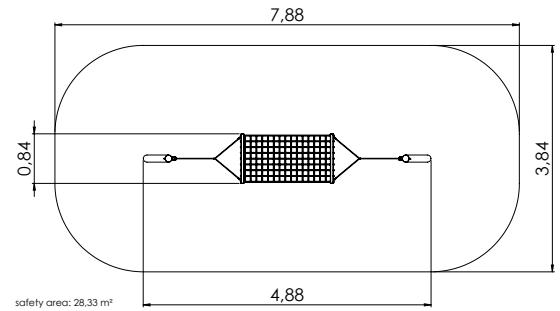
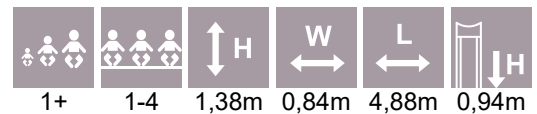


TRIBUTE TO WILDLIFE

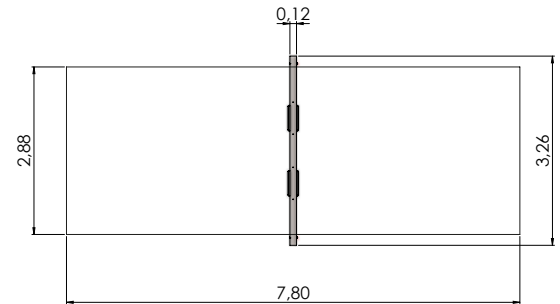
K113KRS Swing STRAW



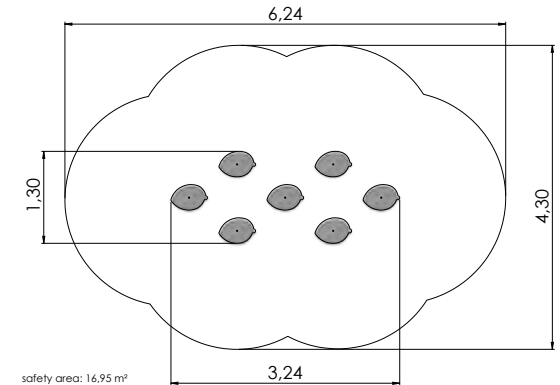
K118KRS Hammock STRAW



K112KRS Swing STRAW 2 places



TKR602-1 Balance track LEAVES



OCTO

OCTO



OCTO

Are those constructions skyscrapers, towering proudly skywards? Or alluring city lights, which promise exciting adventures? No, not at all. They are the noteworthy OCTO series products of special design, providing older children and teenagers with challenging experience.

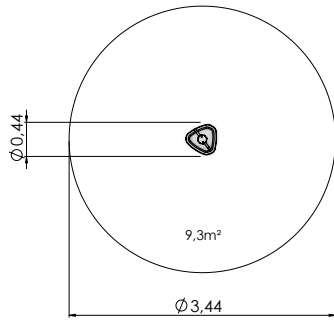
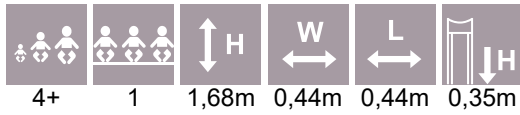
The series has taken its name from the novel octagonal powder coated aluminium posts, which due to their solid grey colour are well suited even for the most modern environment. The acryl glass panels only deepen the impression of glass furnished tall buildings. In reality, it all has to do with durable glass panels of the type known from hockey fields.

The OCTO series reminds us of a big city where a person considers himself to be able to succeed! Who is the coolest, who is the fastest? Who will be a leader, who dares to take risks?

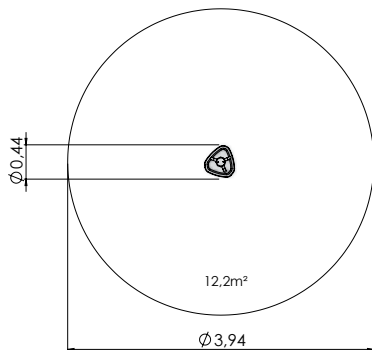
Young people do not doubt themselves a bit, they just come and experience, create and conquer. The products are intended to provide older children wishing to test themselves with developing activity and physical effort. The products of the series enable to test one's endurance, coordination, balance and also courage. At the same time, the attractions ensure safe recreation and joy of playing.

The product selection of the series of novel design is constantly widening. It is possible to select big and powerful megacomplexes, different climbing frames, spinners, shakers, swing constructions etc. So it will be possible to create a suitable playground in different environments, bringing young people together, providing them with activity proper for their age, physical effort and joy of each small win. A great new meeting place was born? Why not!

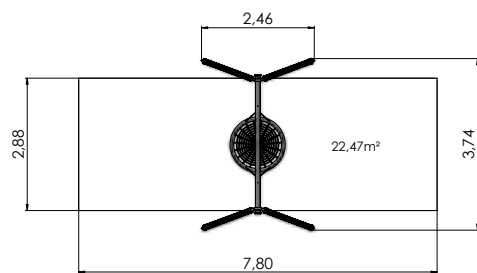
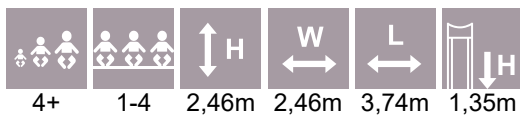




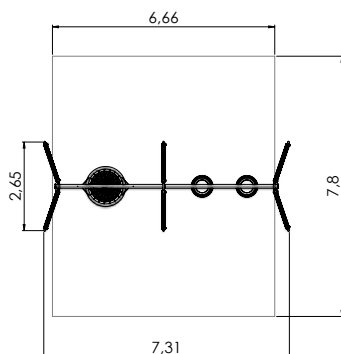
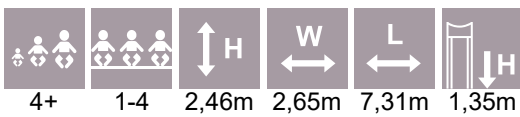
OCT001 SPINNER



OCT003 SHAKER



OCT002 Swing OCTO 2 seats (without seats)

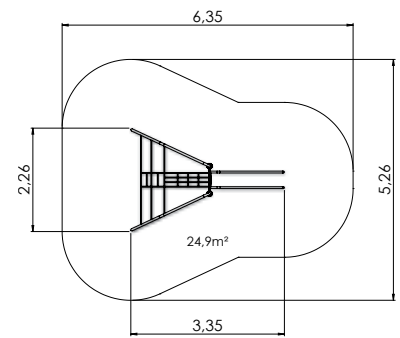
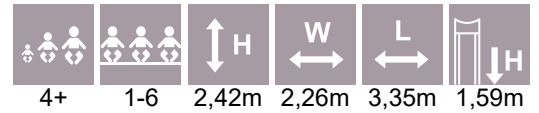


OCT008 Swing OCTO 4 seats (without seats)

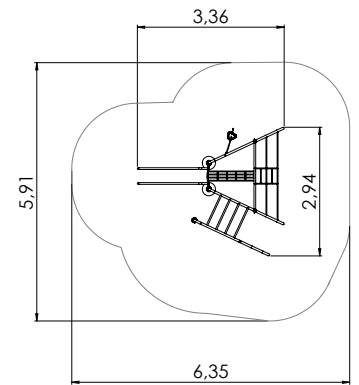
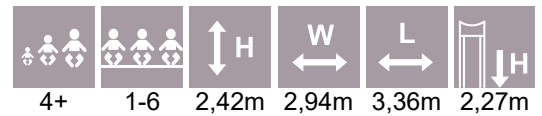


OCTO

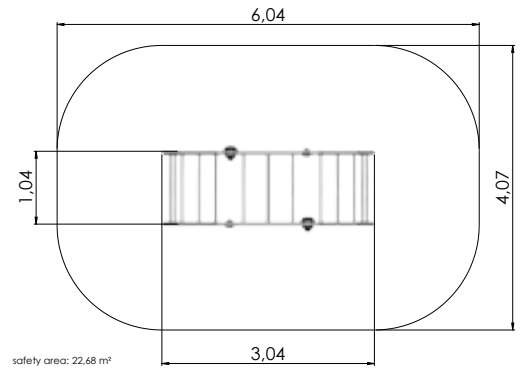
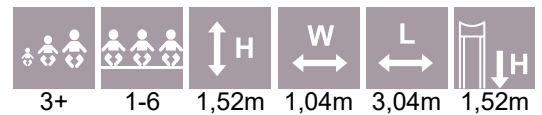
OCT100 Climbing frame



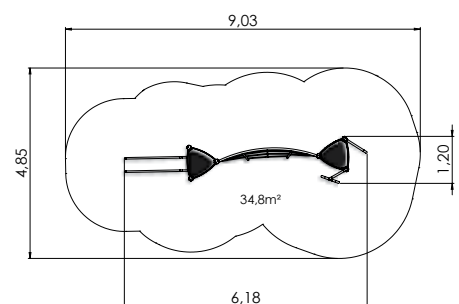
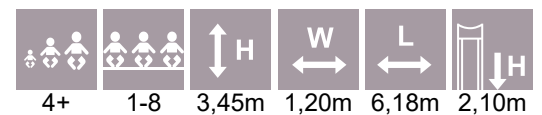
OCT100-1 Climbing frame

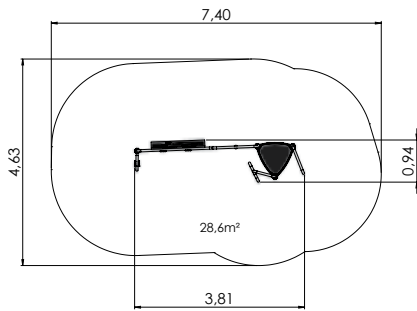


OCT110 Climbing frame

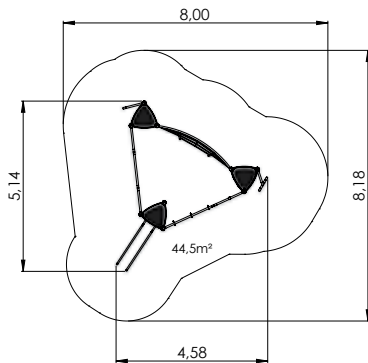
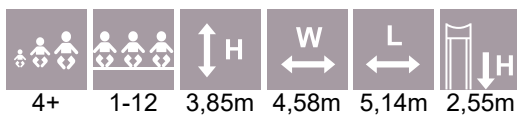


OCT101 Climbing frame

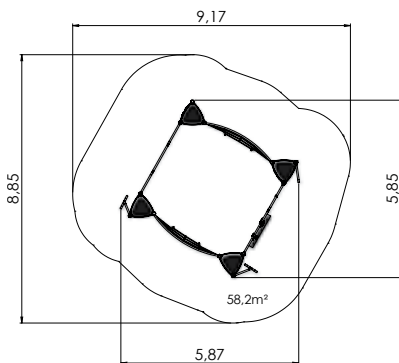
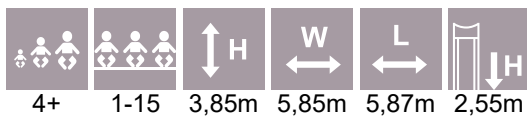




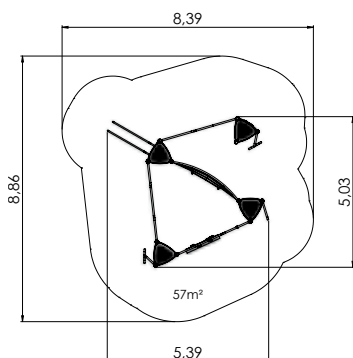
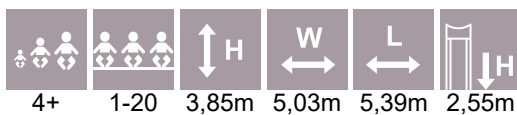
OCT102 Climbing frame



OCT103 Climbing complex



OCT104 Climbing complex

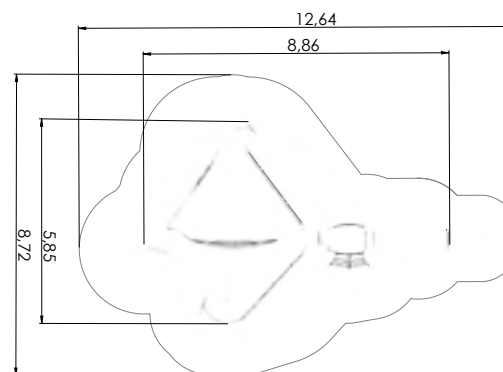
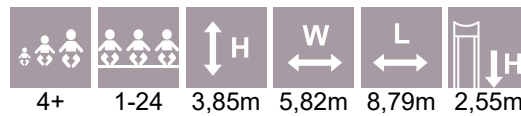


OCT106 Climbing complex

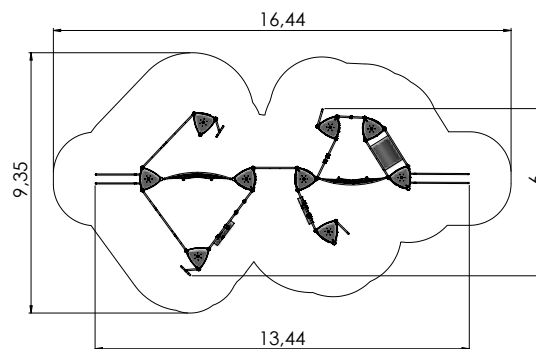
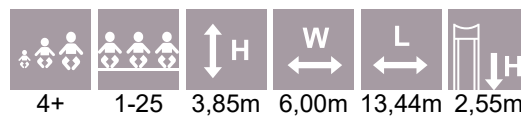
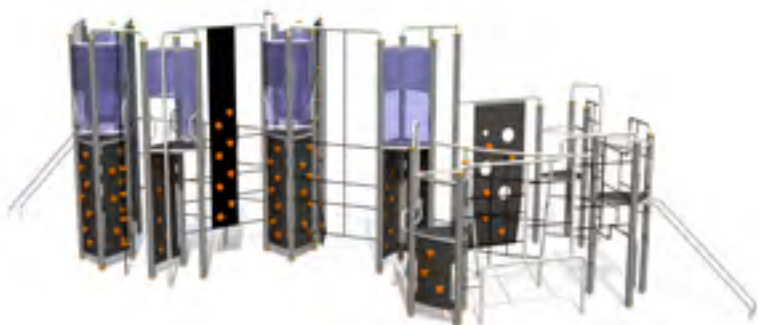


OCTO

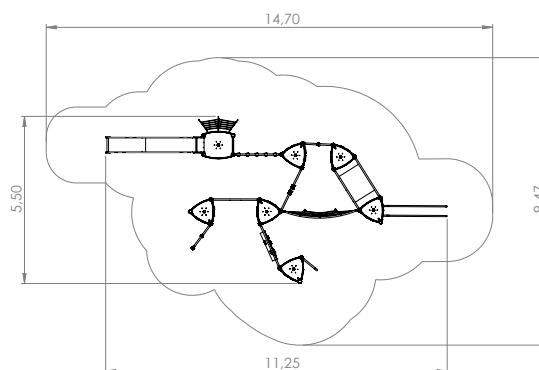
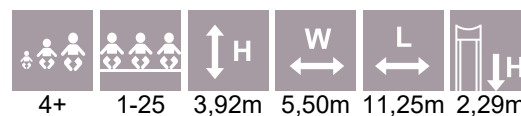
OCT106-1 Climbing complex



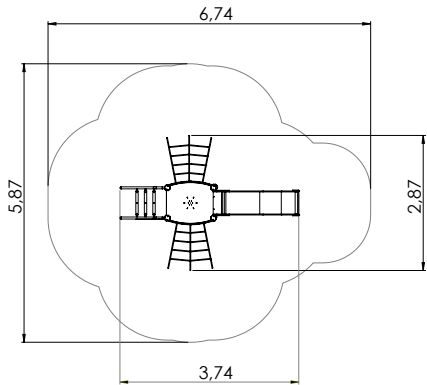
OCT107 Climbing complex



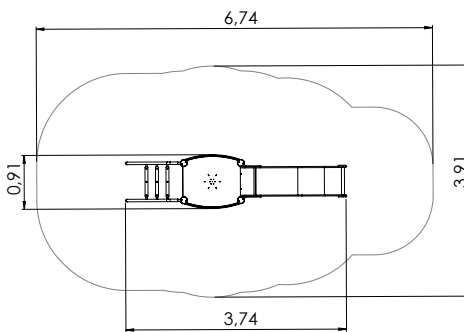
OCT107-1 Climbing complex



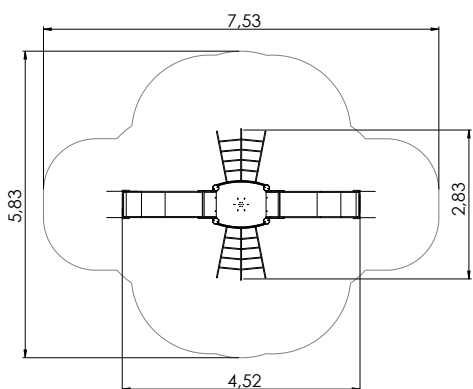
3+	1-6	1,91m	2,83m	3,59m	0,95m



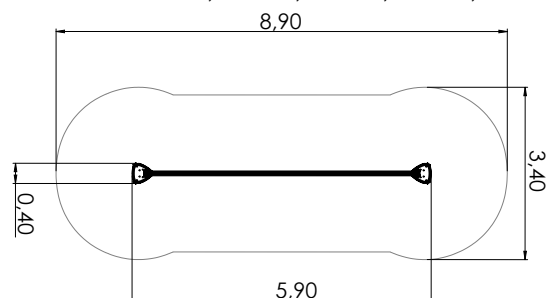
3+	1-6	1,91m	0,91m	3,59m	0,95m



3+	1-6	1,91m	2,83m	4,52m	0,95m



4+	1-2	0,43m	0,50m	5,90m	0,43m



OCT500 Climbing frame OCTO kid 1



OCT500-1 Climbing frame OCTO kid 2



OCT500-2 Climbing frame OCTO kid 3

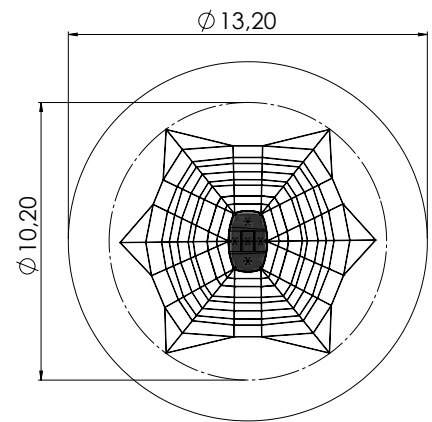
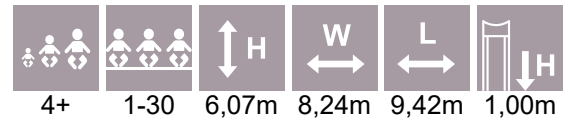


SLAC005 Slackline

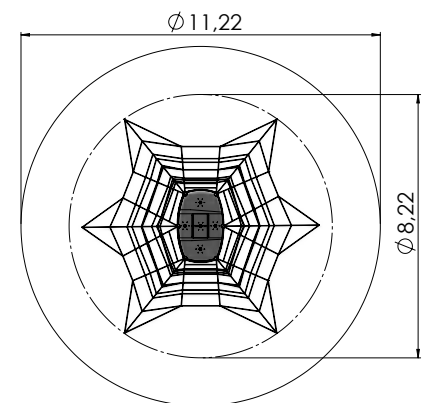
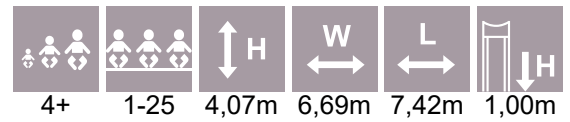


OCTO

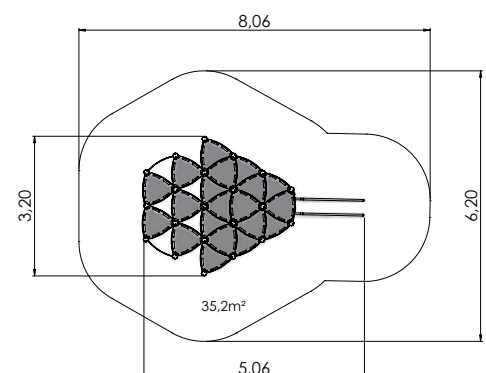
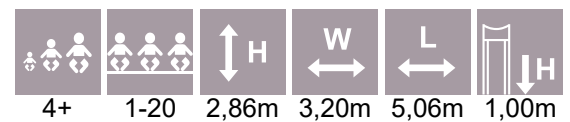
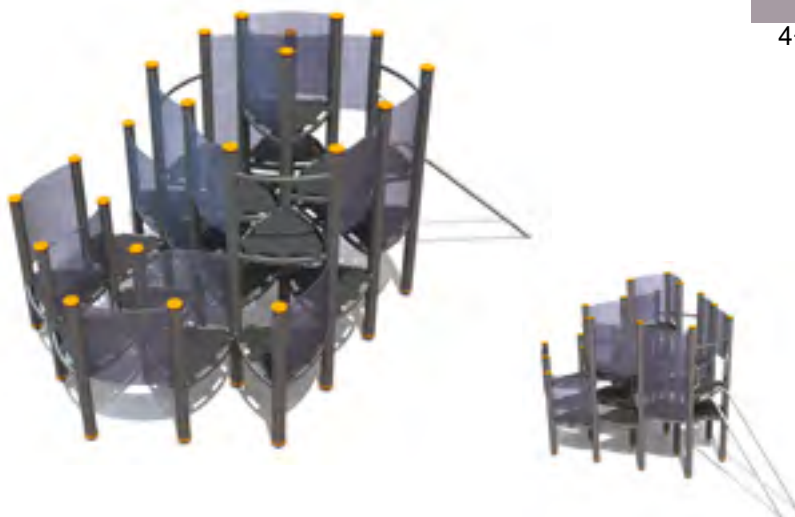
OCT108 Climbing tower high



OCT109 Climbing tower



OCT300 Labyrinth



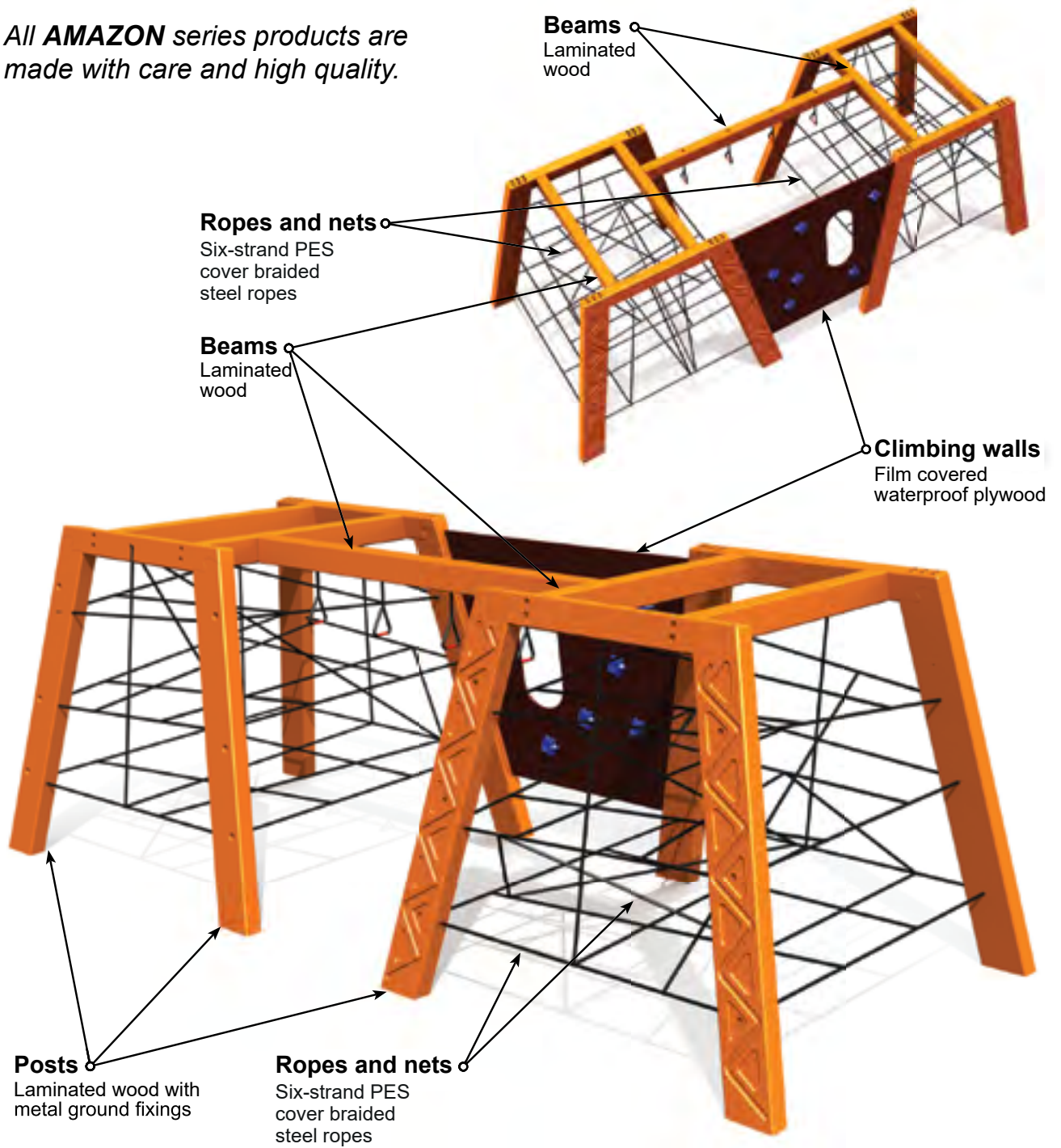
AMAZON

AMAZON

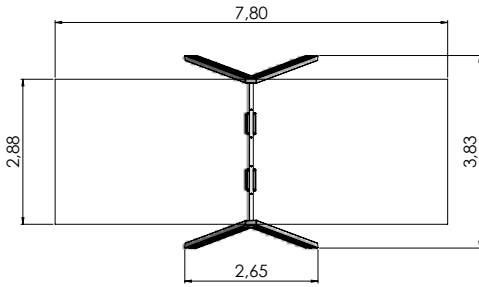
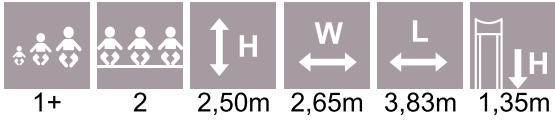




All **AMAZON** series products are made with care and high quality.

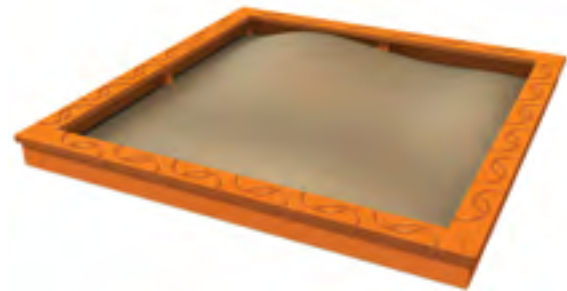
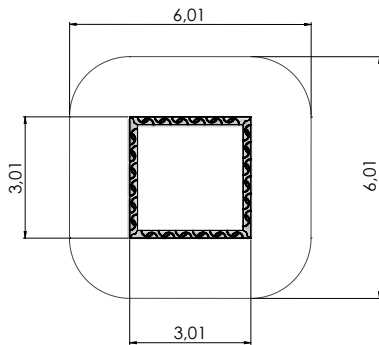
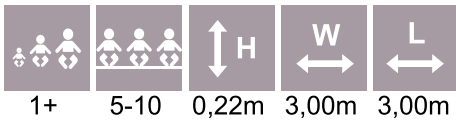


AMK001

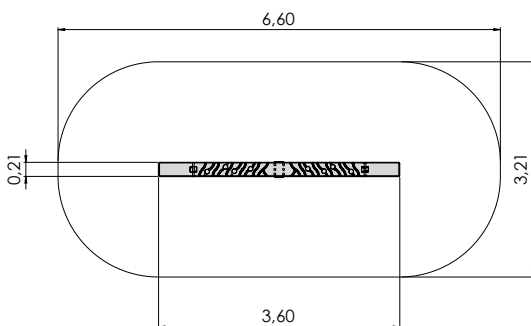
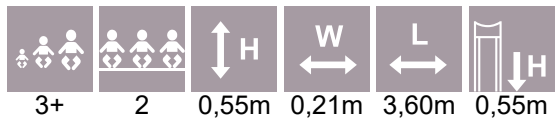


AMAZON

AML003

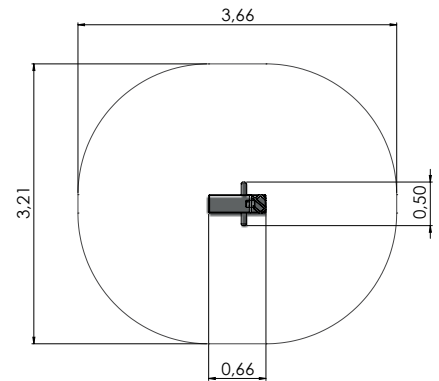
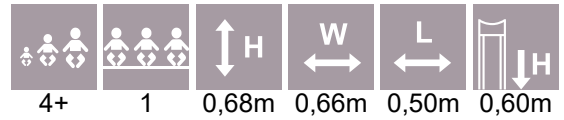


AM300 AMAZON seesaw

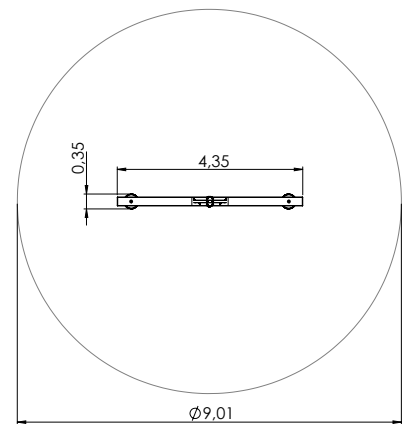
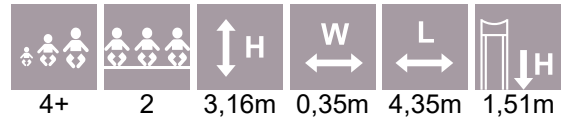




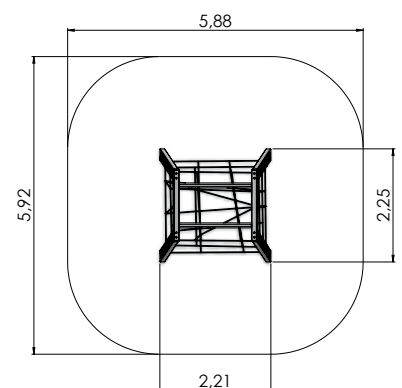
AM500 AMAZON spring swing



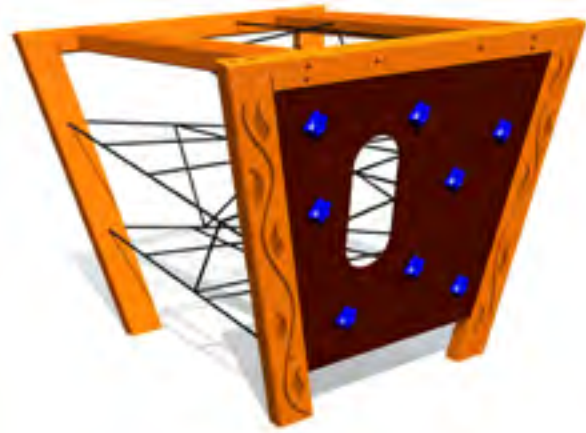
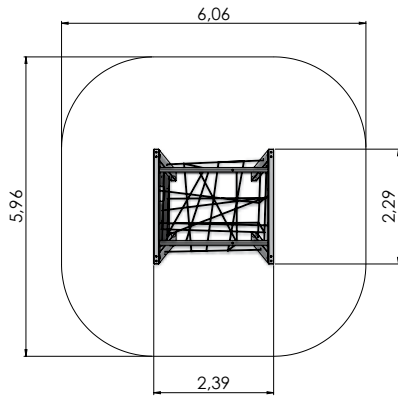
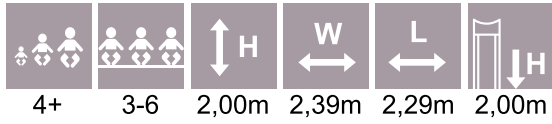
AM400 AMAZON carousel



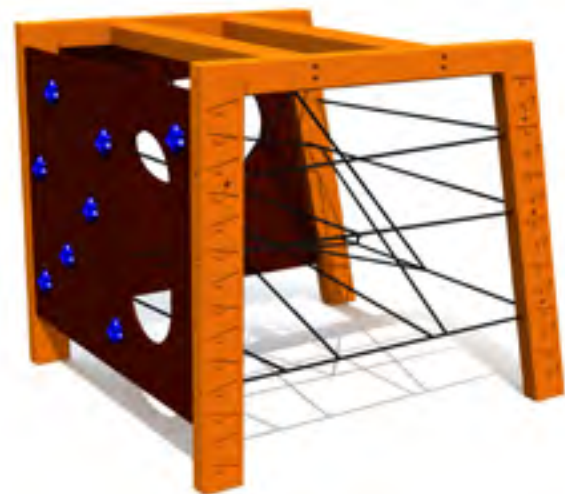
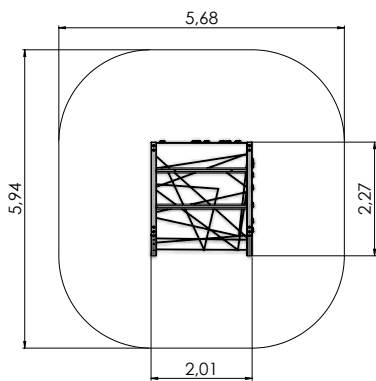
AM004



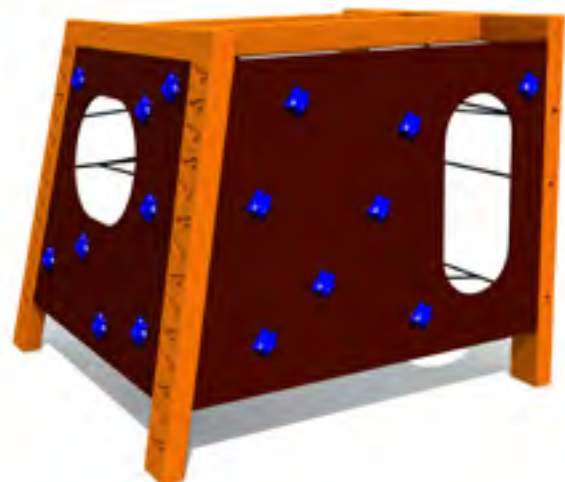
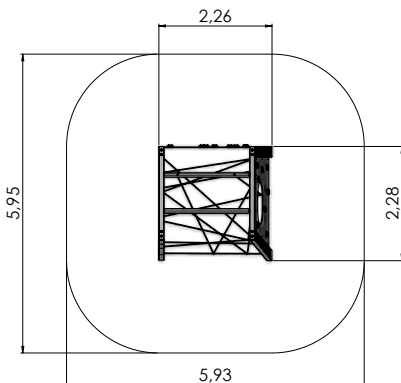
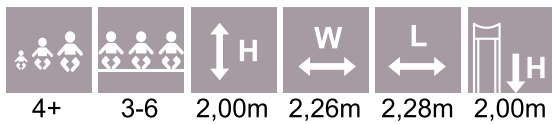
AM001



AM002



AM003

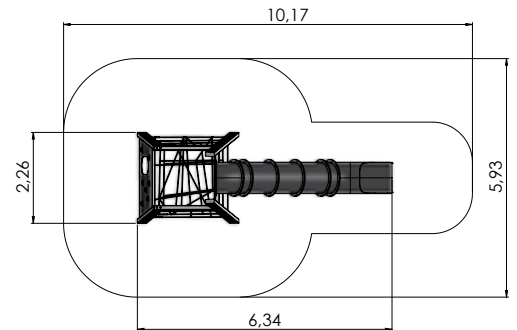
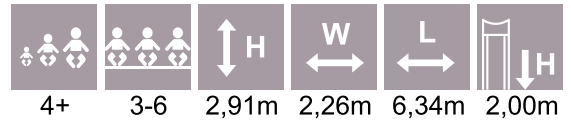




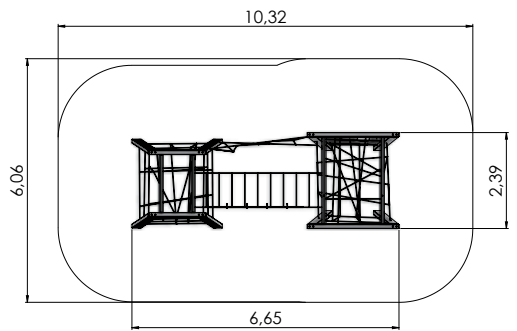




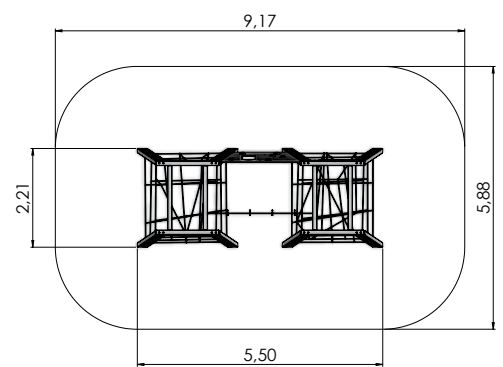
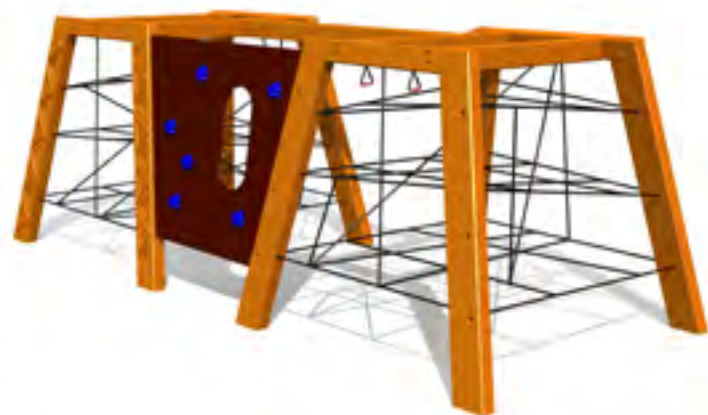
AM005



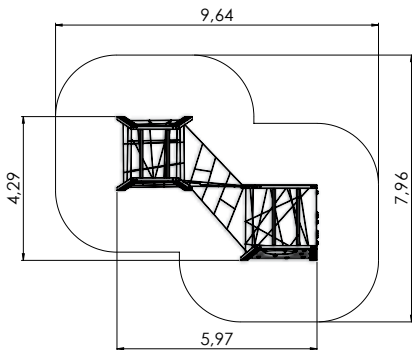
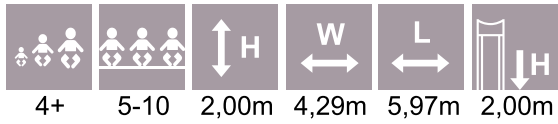
AM008



AM009

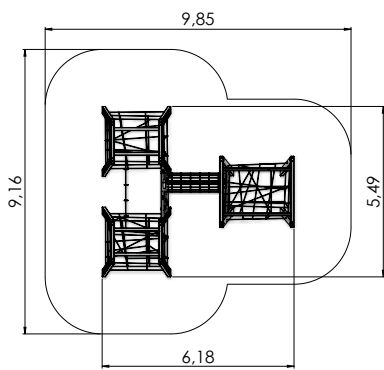
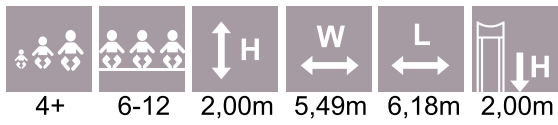


AM010

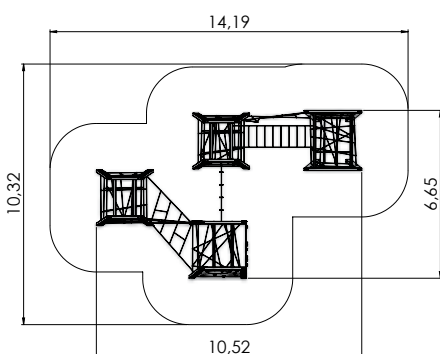
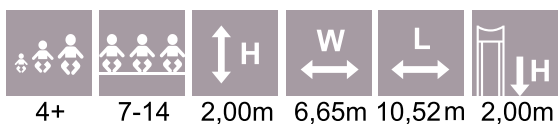


AMAZON

AM011

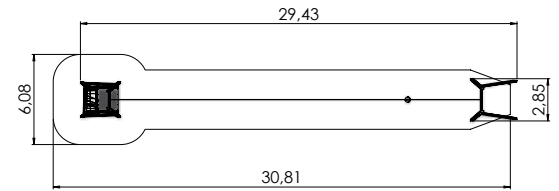
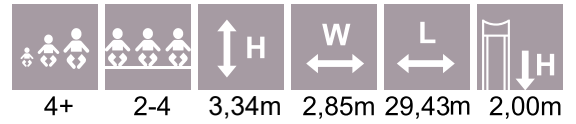


AM012

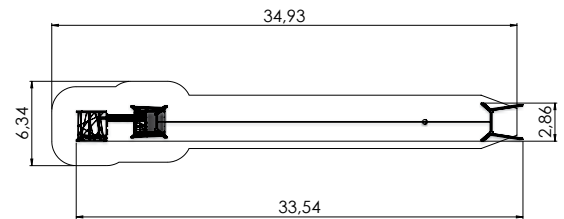
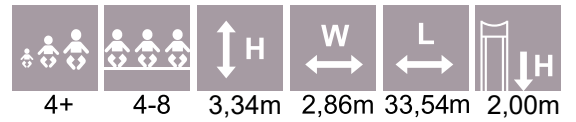




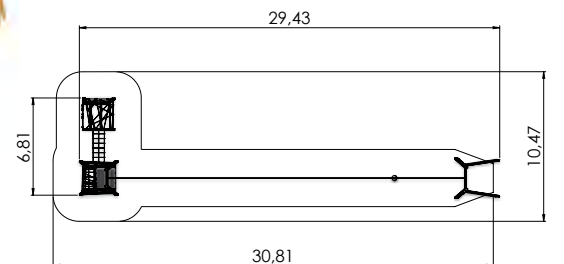
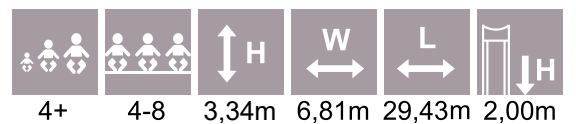
AM007



AM013



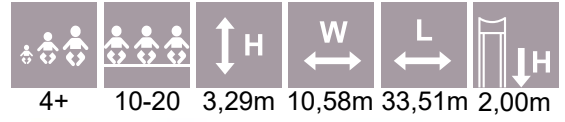
AM014



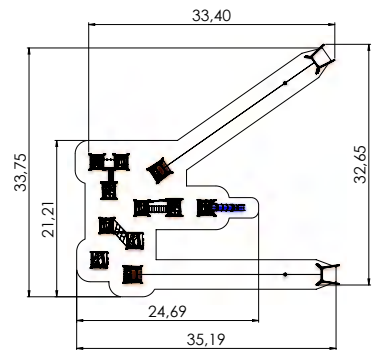
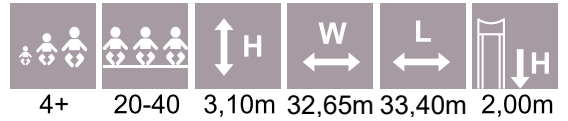




AM015



AM101



WATER WORLD

WATER
WORLD



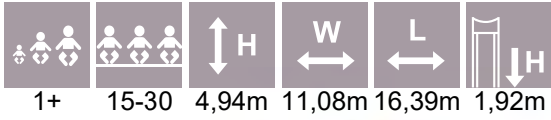


WATER WORLD SERIES

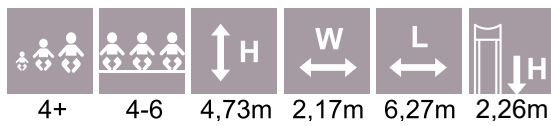
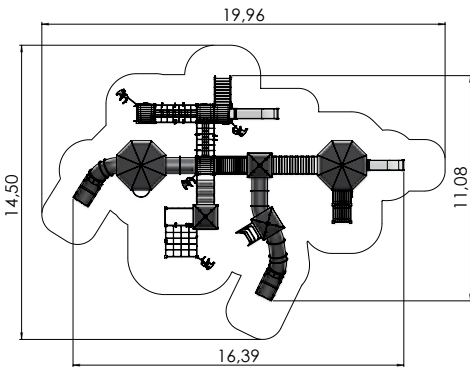


Tiptap

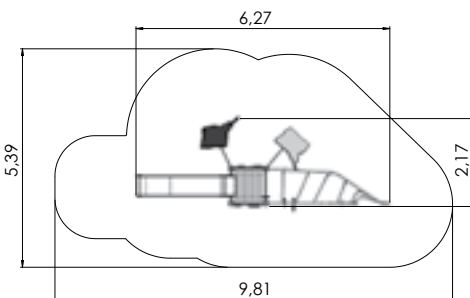
	PE	MF
Posts	Laminated wood	Powder coated aluminium
Platforms	Laminated wood	Plastic covered laminated wood
Panels	HDPE plastic	HDPE plastic
Climbing walls	HDPE plastic	HDPE plastic
Roofs	HDPE plastic	HDPE plastic
Tubes	Zincd and powder coated steel	Zincd and powder coated steel
Ropes and nets	Six-strand PES cover braided steel ropes	Six-strand PES cover braided steel
Slides	Stainless steel and HDPE plastic	Stainless steel and HDPE plastic
Stairs	Laminated wood	Plastic covered laminated wood
Climbing grips	HDPE plastic	HDPE plastic
Fixings	Stainless steel	Stainless steel



LM300 W MF Play Centre HAMMER FISH



NW101 W MF Play Centre RAY

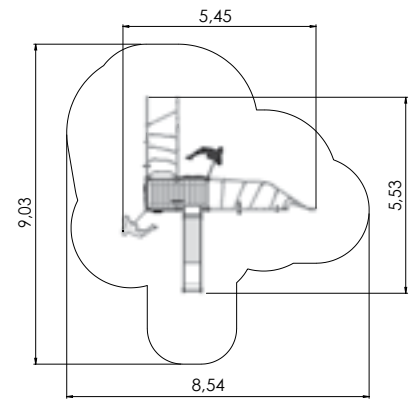




NW102 W MF Play Centre SHARK



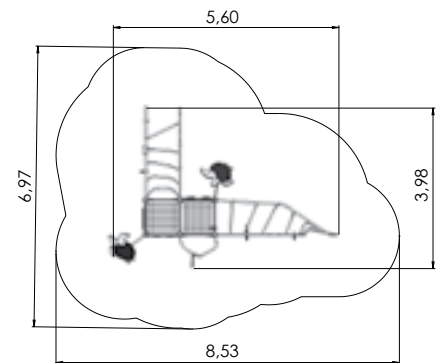
4+	6-8	4,80m	5,45m	5,53m	2,64m



NW201 W MF Play Centre TURTLE



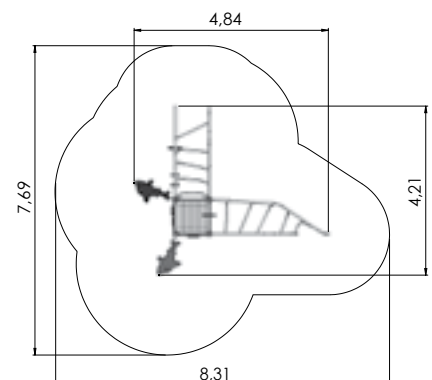
4+	4-8	4,43m	3,98m	5,60m	2,64m

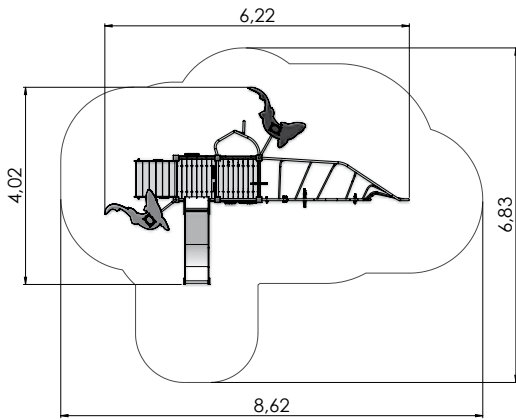
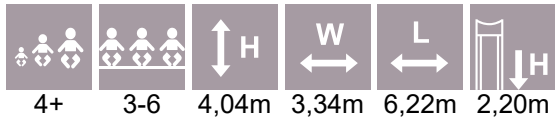


NW202 W MF Play Centre DOLPHIN



4+	4-8	4,42m	4,21m	4,84m	2,64m

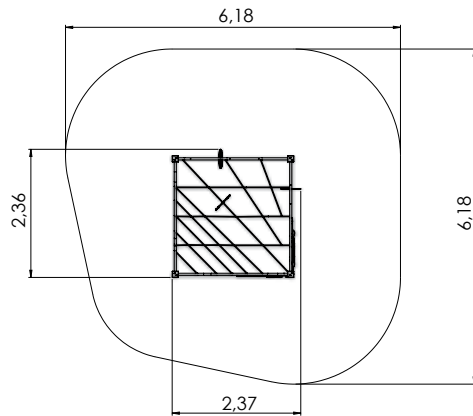
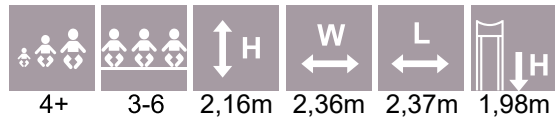




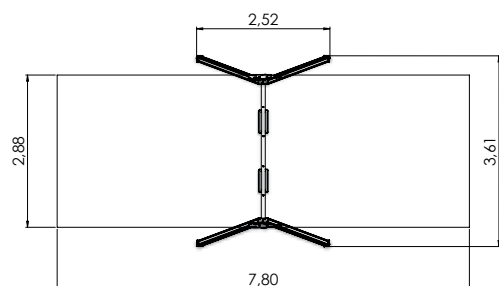
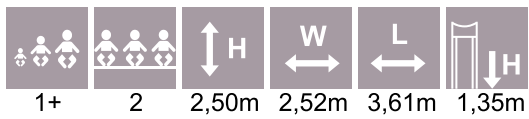
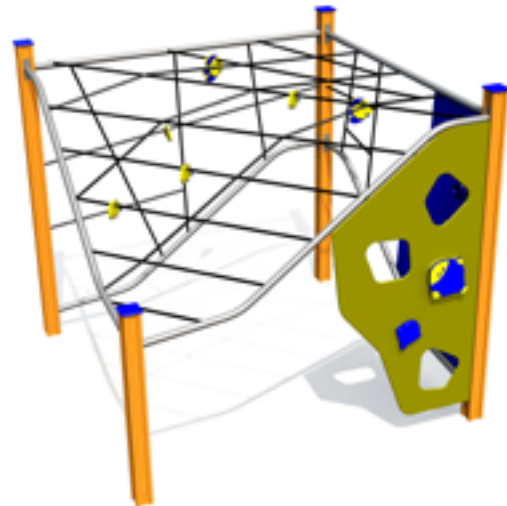
NW103 W MF Play Centre PIKE



WATER
WORLD



NW210 W MF Play Centre CLOWNFISH



K002 W MF Swing GUPPY 2 places
(without seats and fittings)

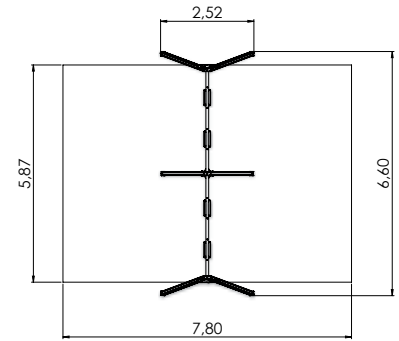
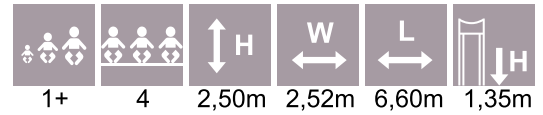




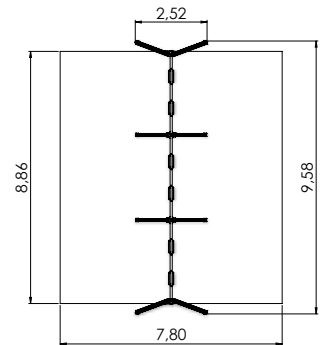
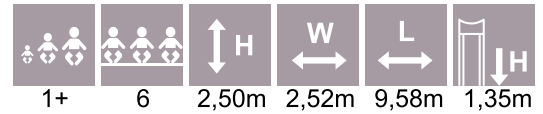




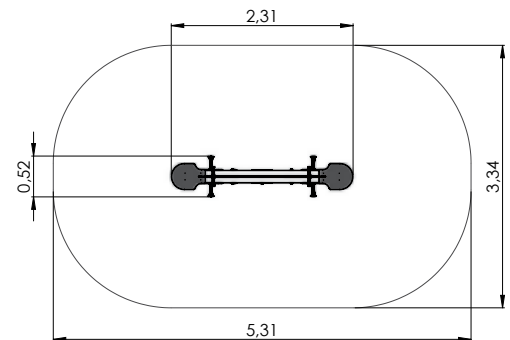
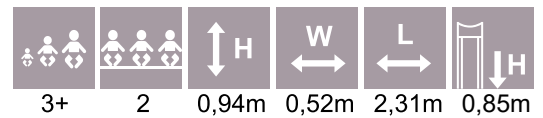
K008 W MF Swing GUPPY 4 places
(without seats and fittings)



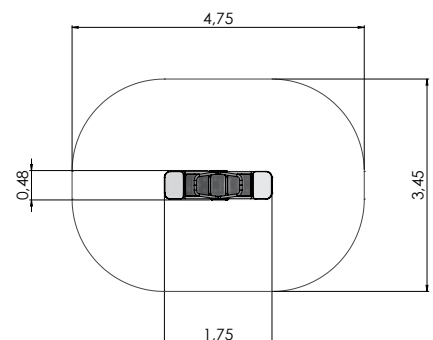
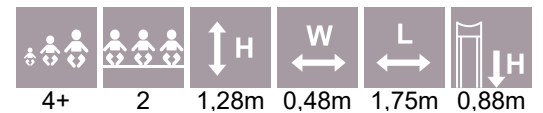
K009 W MF Swing GUPPY 6 places
(without seats and fittings)

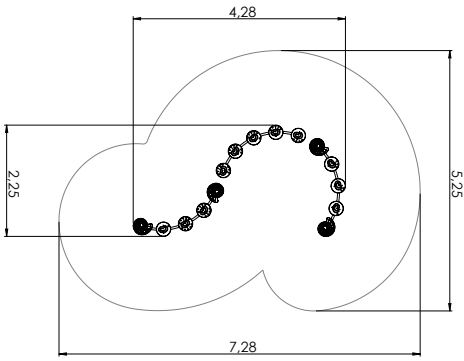
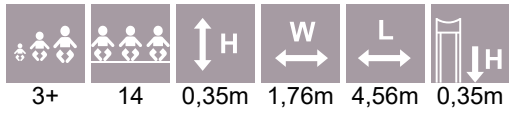


K106 W MF See-saw MUSSEL

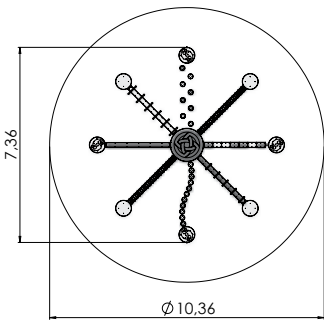
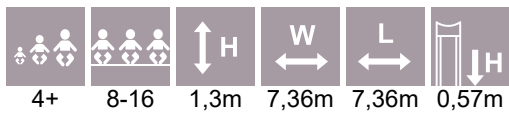


K200 W MF Stand on see-saw PRAWN

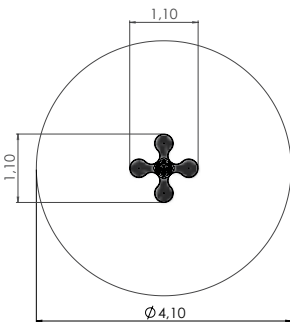
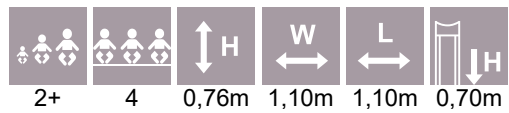
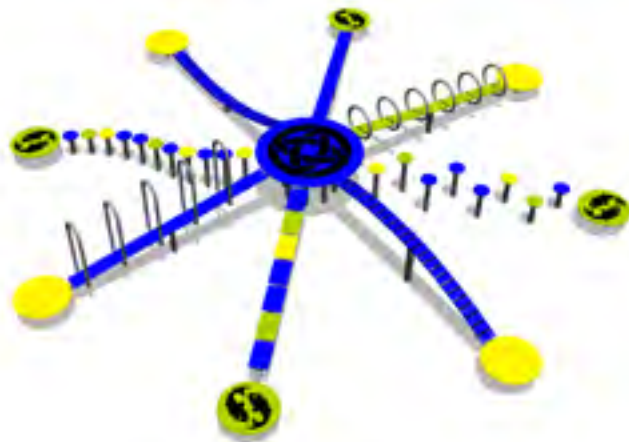




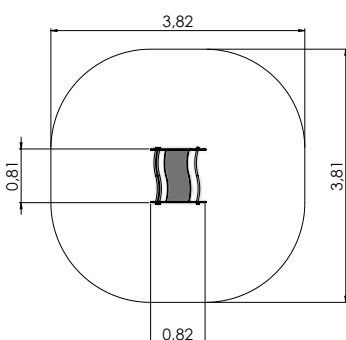
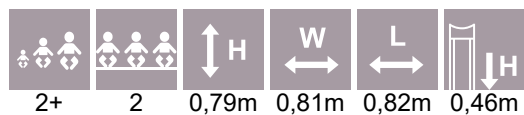
PVP10 W MF Spiral beam WATER SNAKE



TKR001 W MF Balancing equipment COMPASS



VLI44 W MF Spring swing FLOWER

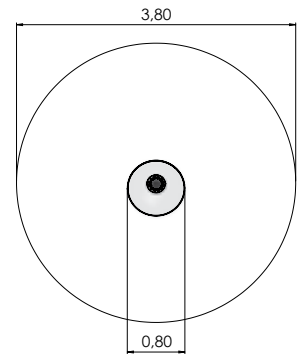
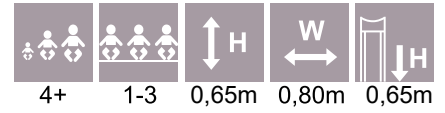


VLI50 W MF Spring swing DOCKY

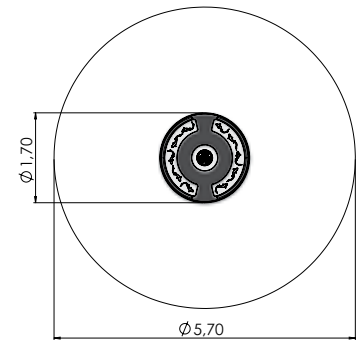
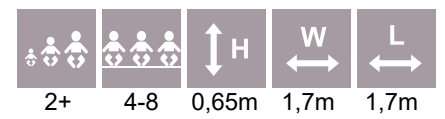
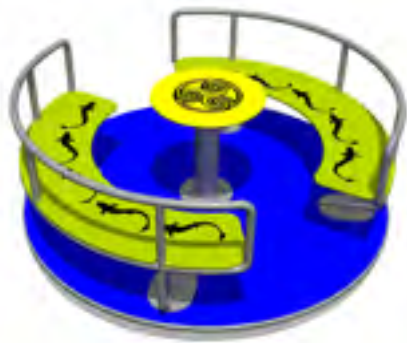




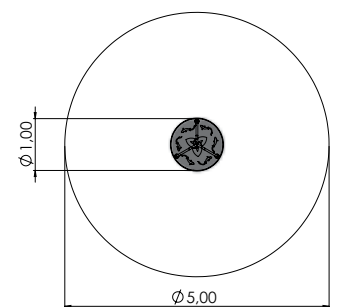
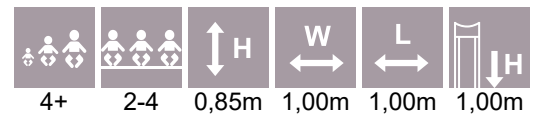
KM012 W MF Carousel STARFISH



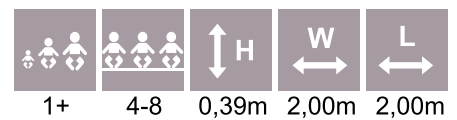
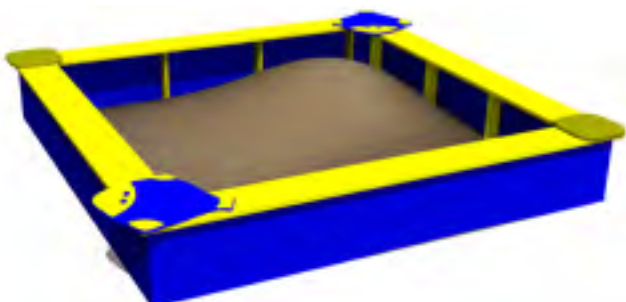
KM001 W MF Carousel WATER WHEEL



KM005 W MF Carousel TORNADO



LK20 W MF Sandbox - 2000x2000



PIRATE WORLD



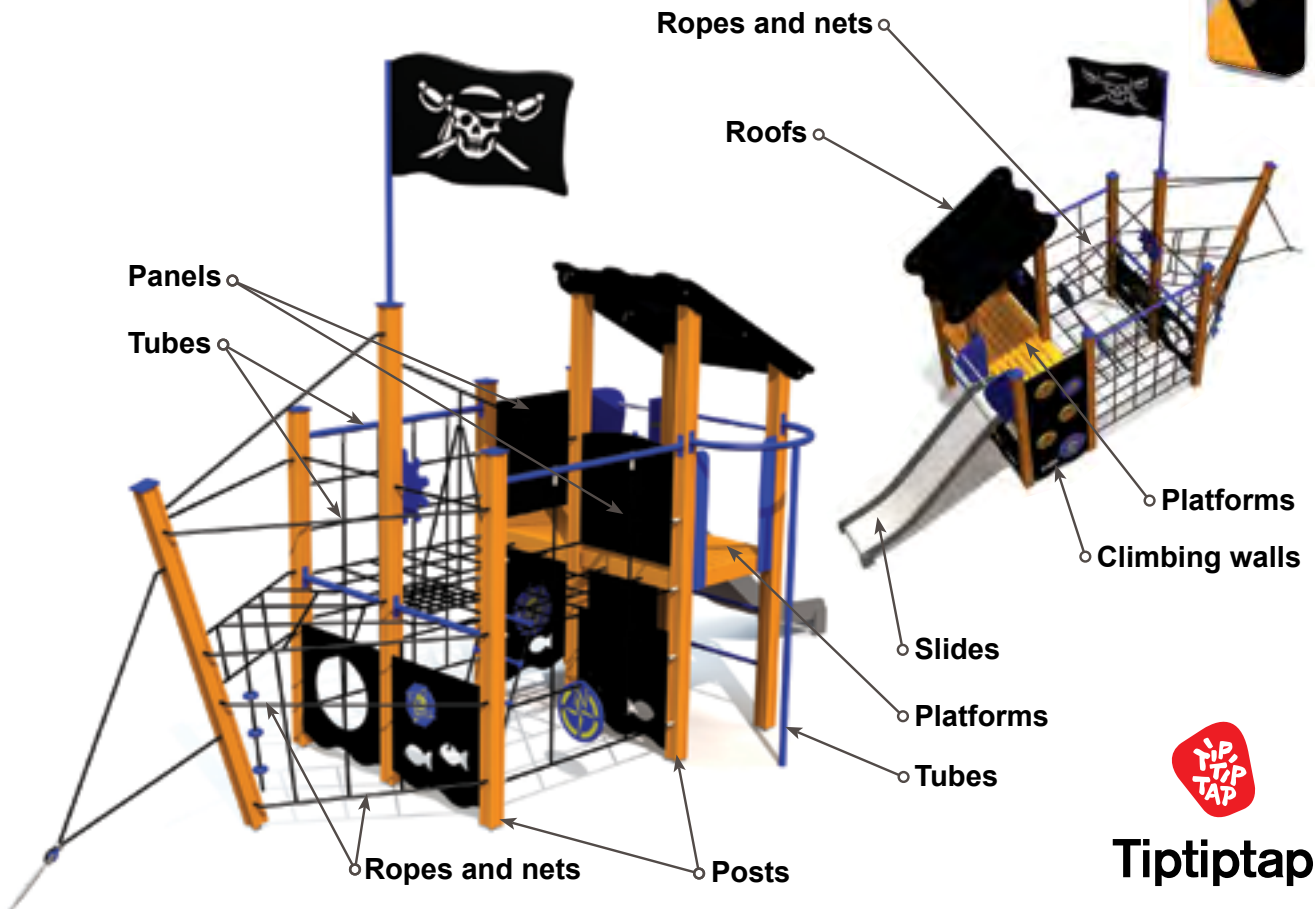
PIRATE WORLD

COLOR OPTIONS:



Pirate world

PIRATE WORLD SERIES

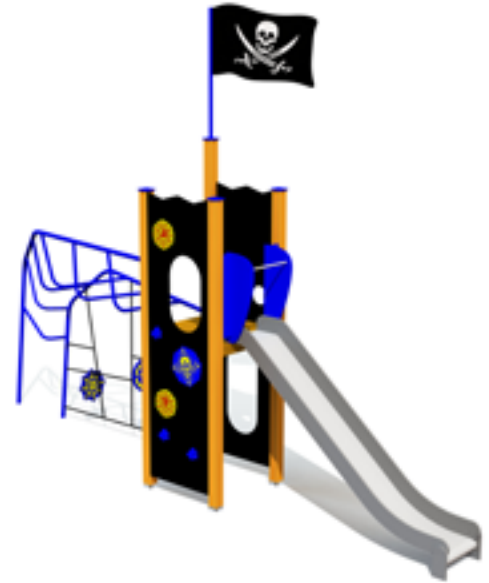
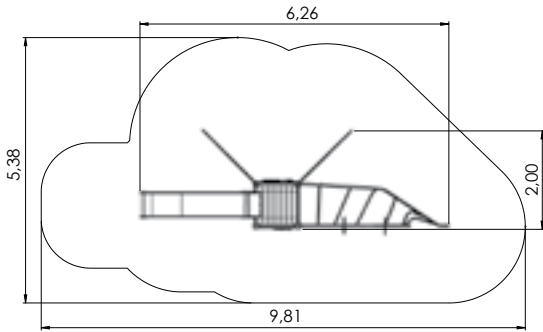
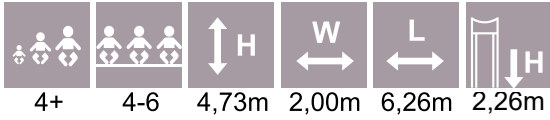


Tiptap

	PE	MF
Posts	Laminated wood	Powder coated aluminium
Platforms	Laminated wood	Plastic covered laminated wood
Panels	HDPE plastic	HDPE plastic
Climbing walls	HDPE plastic	HDPE plastic
Roofs	HDPE plastic	HDPE plastic
Tubes	Zinc and powder coated steel	Zinc and powder coated steel
Ropes and nets	Six-strand PES cover braided steel ropes	Six-strand PES cover braided steel
Slides	Stainless steel and HDPE plastic	Stainless steel and HDPE plastic
Stairs	Laminated wood	Plastic covered laminated wood
Climbing grips	HDPE plastic	HDPE plastic
Fixings	Stainless steel	Stainless steel

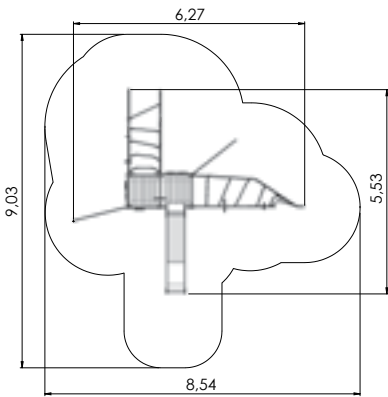
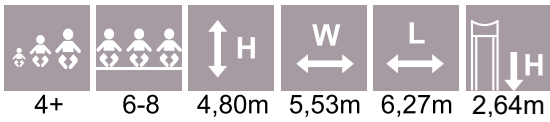
PIRATE WORLD

NW101 P GOLDSMITH

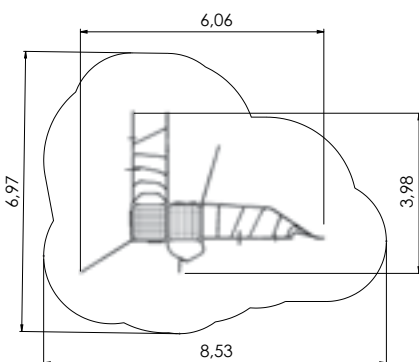
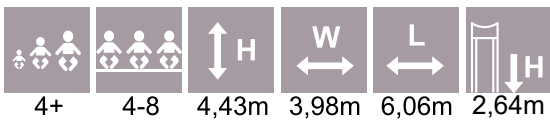


PIRATE
WORLD

NW102 P POWER



NW201 P COOPER



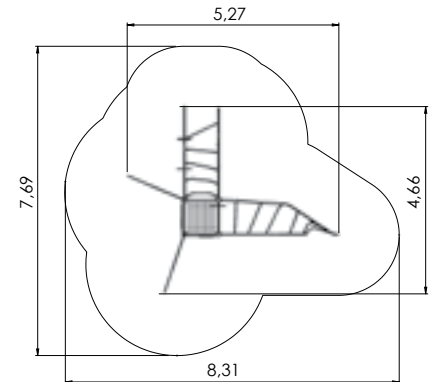
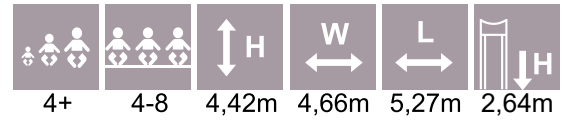
PIRATE WORLD

COLOR OPTIONS:

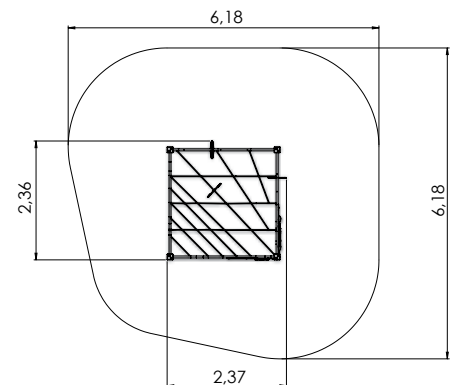
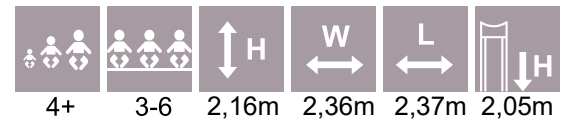


Pirate world

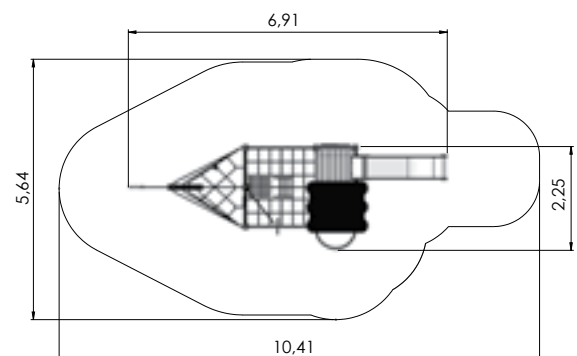
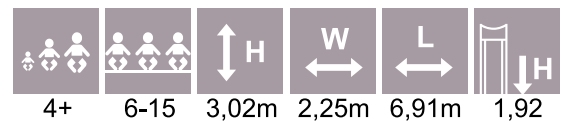
NW202 P COX



NW210 P MORGAN

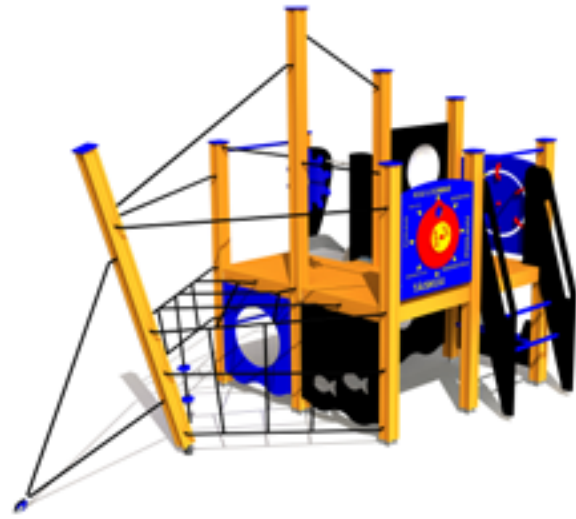
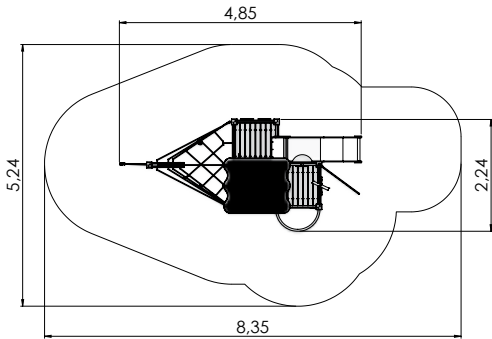
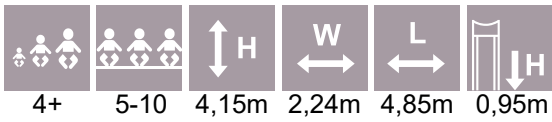


MM116 P Pirate ship BLACK DRAGON



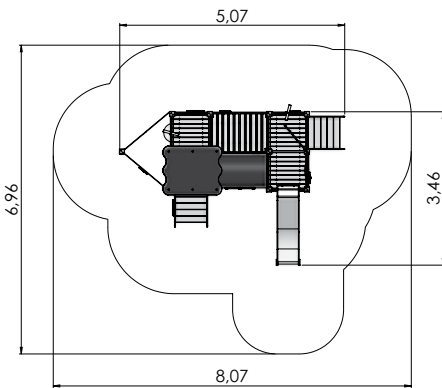
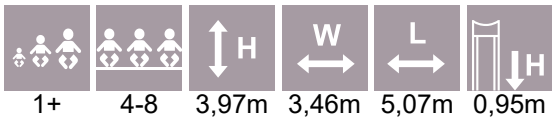
PIRATE WORLD

MM177 P Playship AMITY

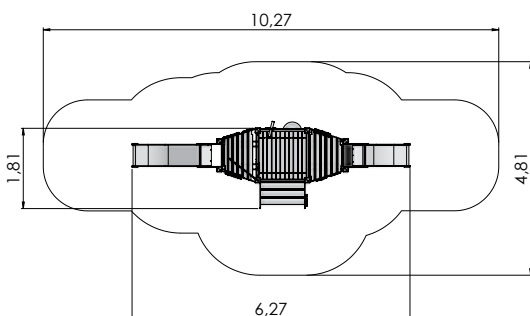
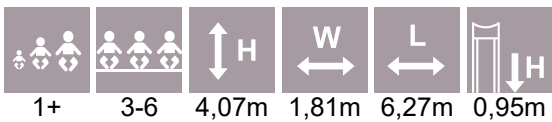


PIRATE
WORLD

MM126 P Pirate ship RISING SUN



MM127 P Pirate ship FANCY







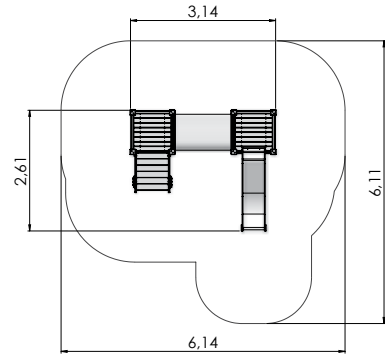
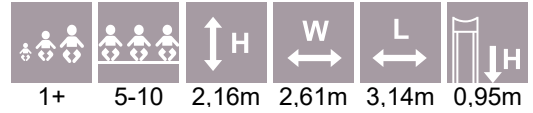
PIRATE WORLD

COLOR OPTIONS:

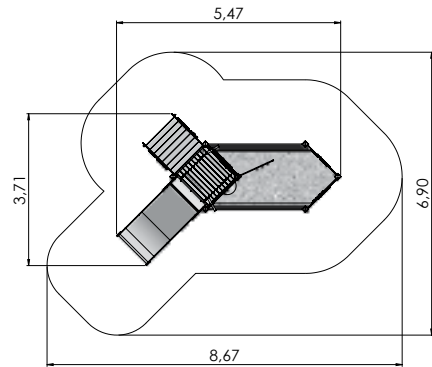


Pirate world

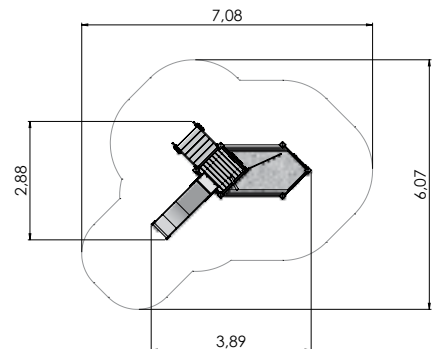
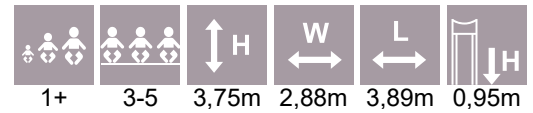
LM006-1 P Play Centre ROCKING HORSE



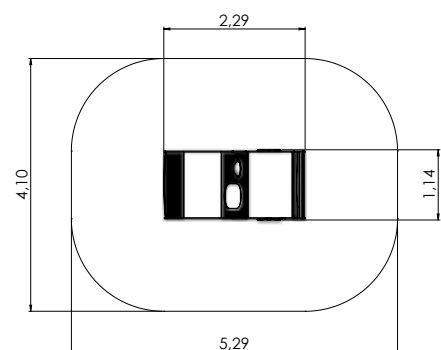
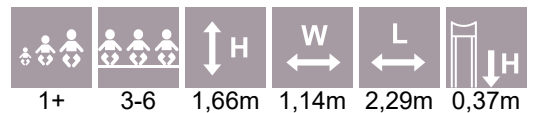
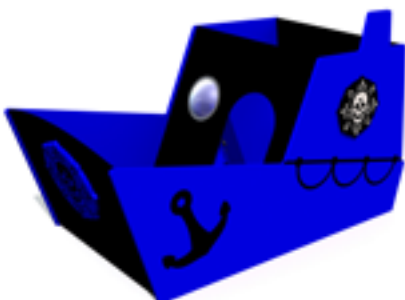
MM128 P Pirate ship JOHN VAAGE (wide slide)



MM128-2 P Pirate ship ALEXANDER VAAGE

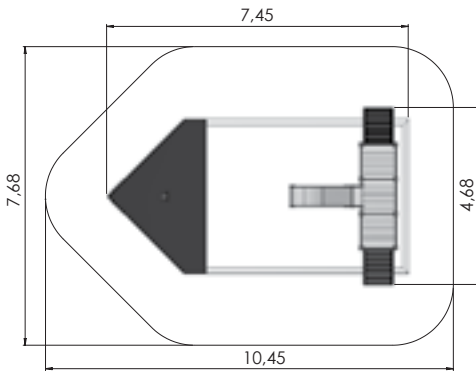
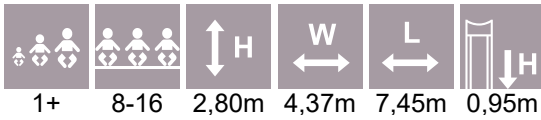


MM136 TUGBOAT



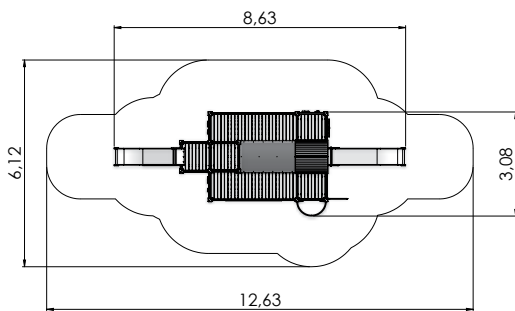
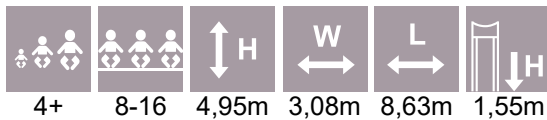
PIRATE WORLD

LM301 P Pirate ship LIBERTY

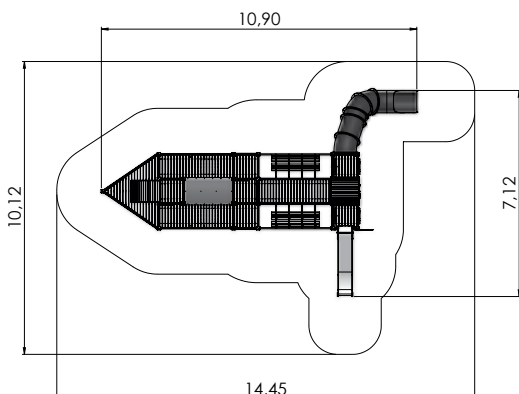
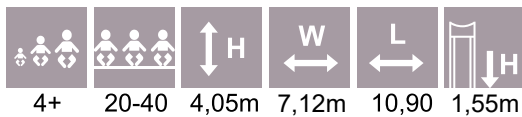


PIRATE
WORLD

MM119 P Pirate ship NIGHT RAMBLER



MM118 P Playship BLACK JOKE



PIRATE WORLD

COLOR OPTIONS:

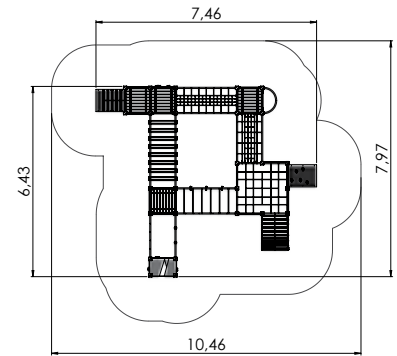


Pirate world

RS310 P Play Centre PIRATE DAVIS



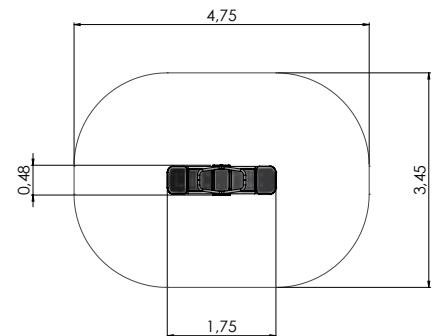
4+	10-20	2,86m	6,43m	7,46m	1,92m



K200 P MF Stand on see-saw HOOK



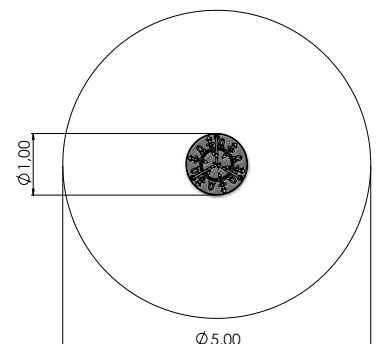
4+	2	1,28m	0,48m	1,75m	0,88m



KM005 P Carousel SWORD

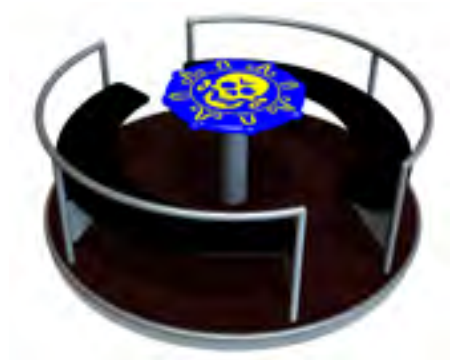
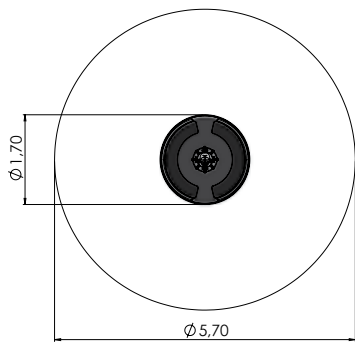
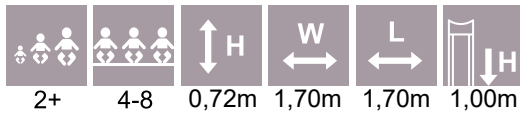


2+	1-4	0,84m	1,00m	1,00m	1,00m



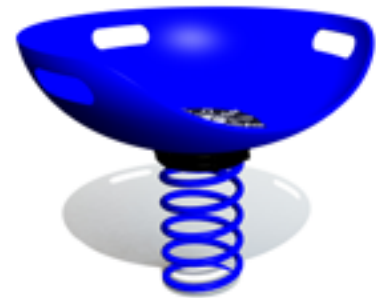
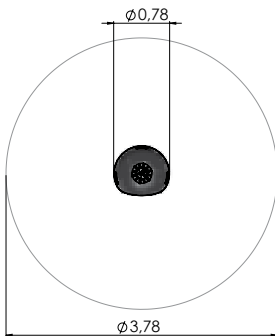
PIRATE WORLD

KM001 P Carousel DOUBLOON

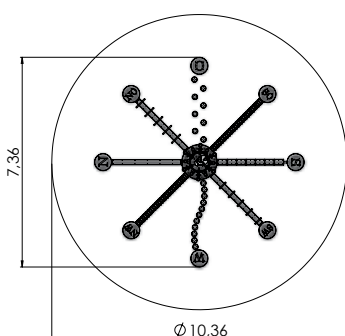
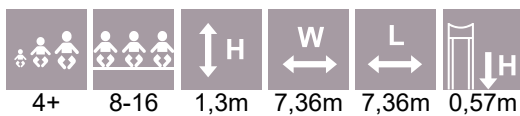
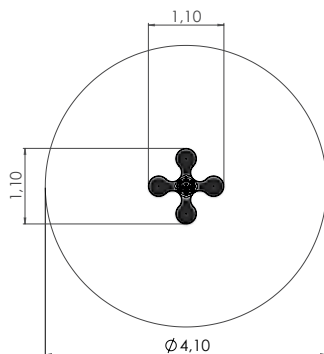
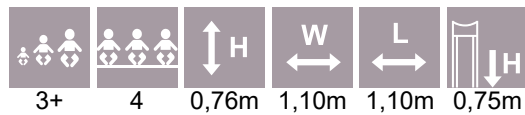


PIRATE
WORLD

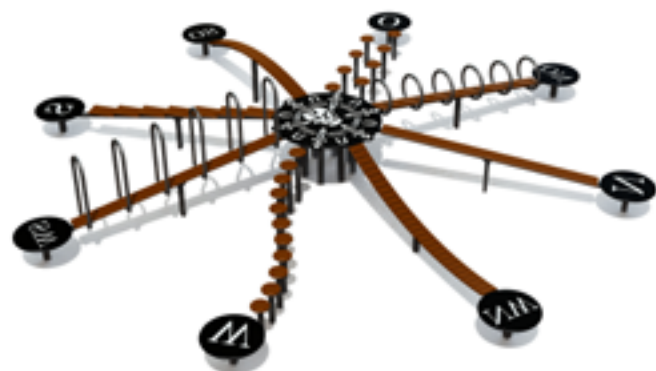
VLI52 P Spring swing BOWL



VLI44 P Spring swing BLACK



TKR001 P
Balancing equipment PIRATE COMPASS



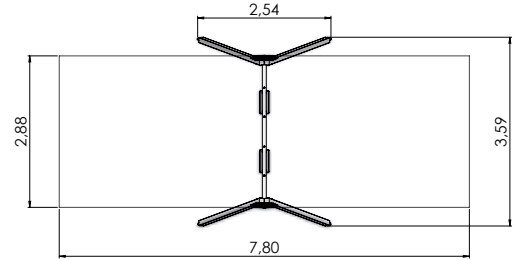
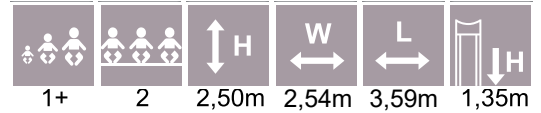
PIRATE WORLD

COLOR OPTIONS:

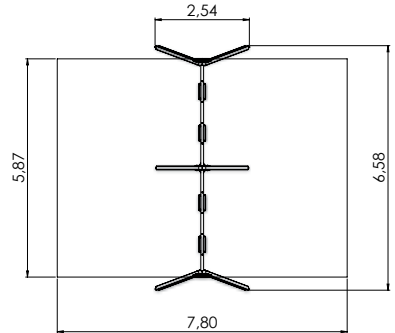
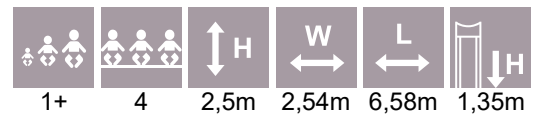


Pirate world

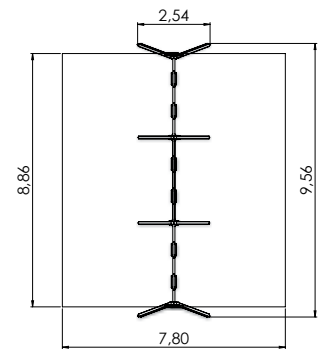
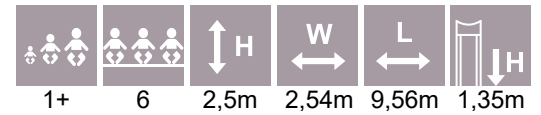
K002 P Swing DUCAT 2 places
(without seats and fittings)



K008 P Swing DUCAT 4 places
(without seats and fittings)



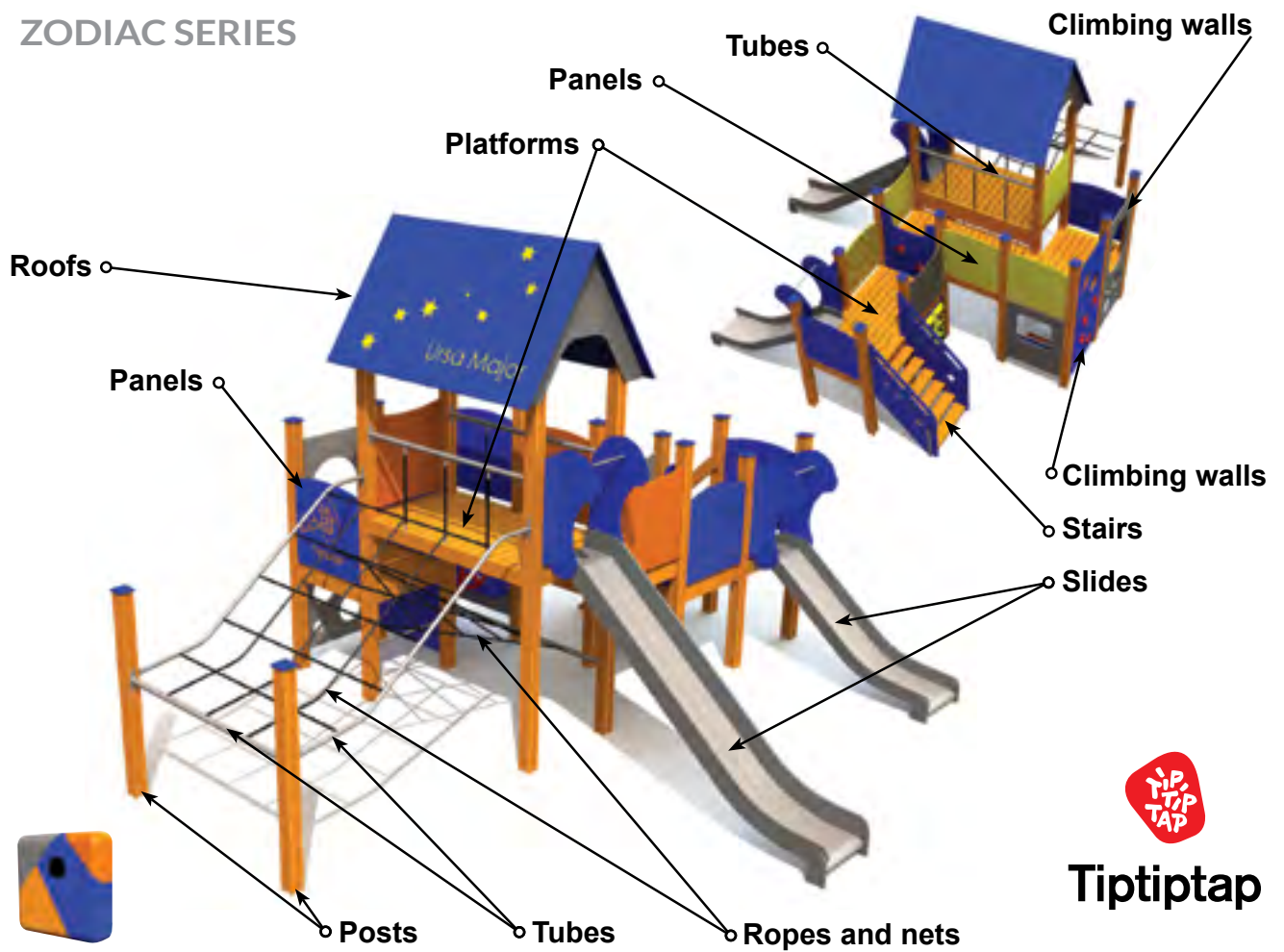
K009 P Swing DUCAT 6 places
steel groundfixings (without seats and fittings)



ZODIAC



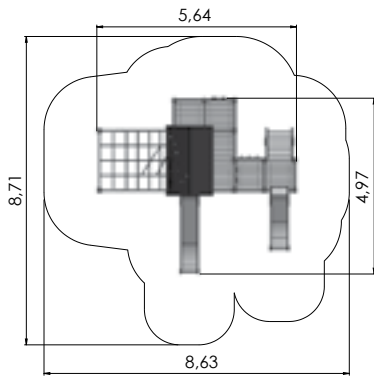
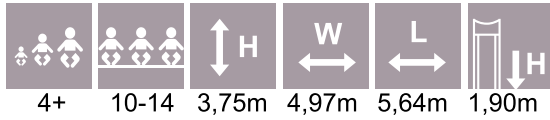
ZODIAC SERIES



Tiptap

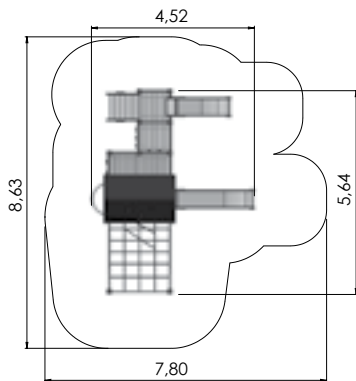
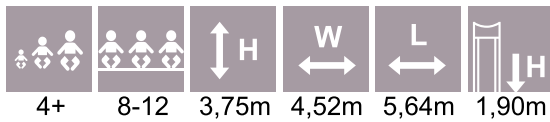
	PE	MF
Posts	Laminated wood	Powder coated aluminium
Platforms	Laminated wood	Plastic covered laminated wood
Panels	HDPE plastic	HDPE plastic
Climbing walls	HDPE plastic	HDPE plastic
Roofs	HDPE plastic	HDPE plastic
Tubes	Zinc and powder coated steel	Zinc and powder coated steel
Ropes and nets	Six-strand PES cover braided steel ropes	Six-strand PES cover braided steel
Slides	Stainless steel and HDPE plastic	Stainless steel and HDPE plastic
Stairs	Laminated wood	Plastic covered laminated wood
Climbing grips	HDPE plastic	HDPE plastic
Fixings	Stainless steel	Stainless steel

2001 Play Centre URSA MAJOR

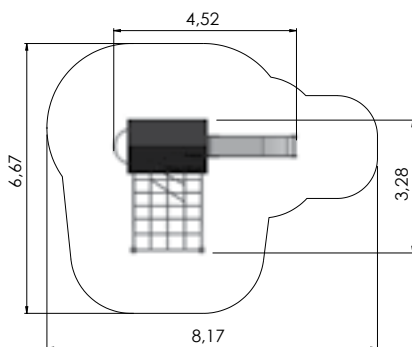
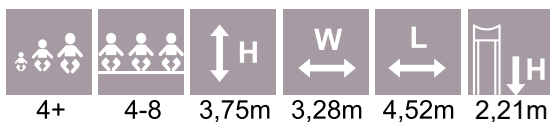


ZODIAC

2002 Play Centre CEPHEUS



2003 Play Centre URSA MINOR

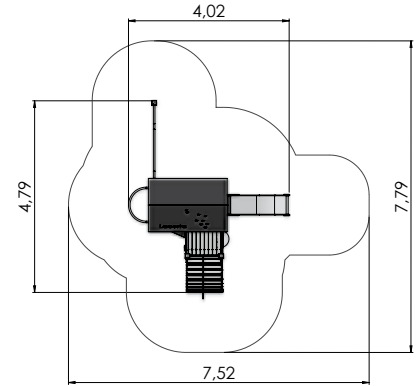
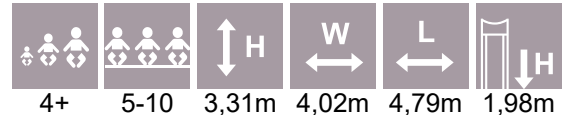




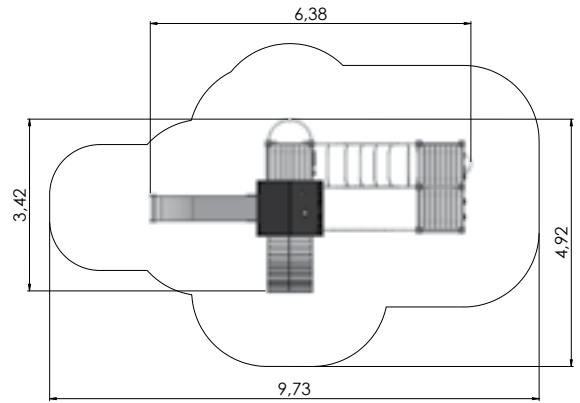
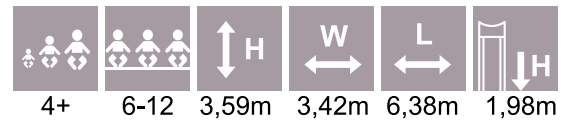




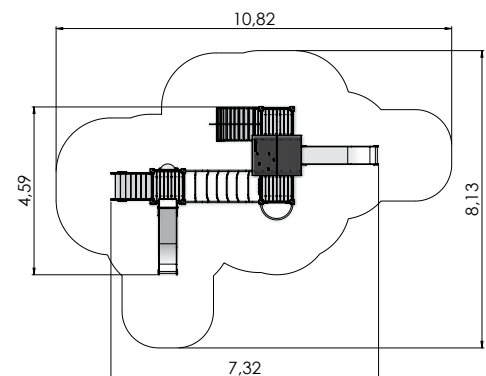
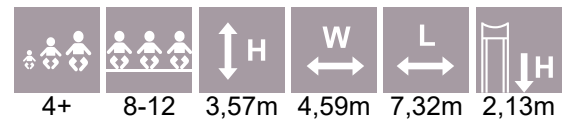
Z004 Play Centre LACERTA



Z007 Play Centre CANES VENATICI



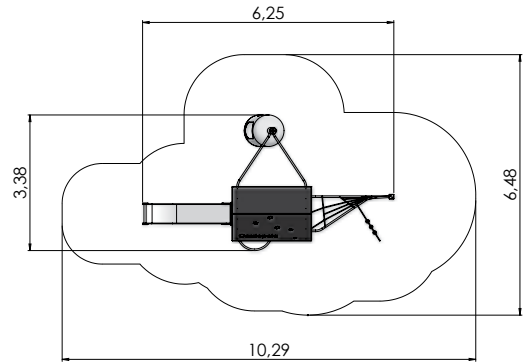
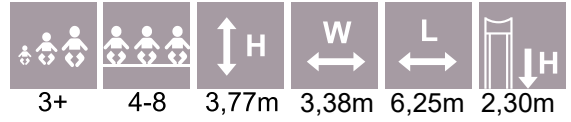
Z008 Play Centre LIBRA



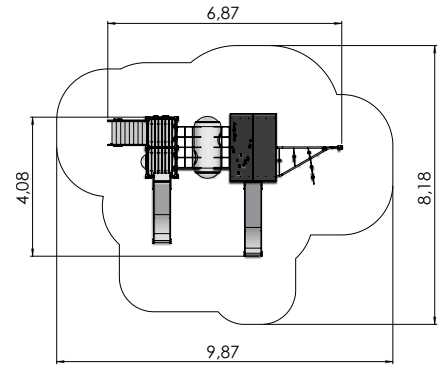
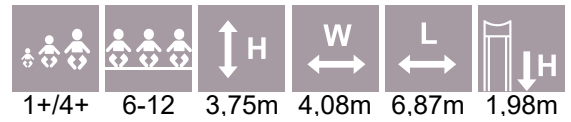




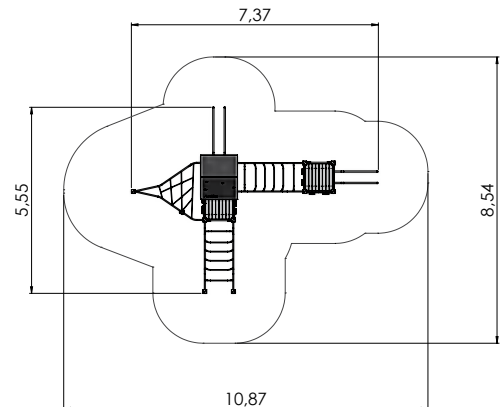
Z009 Play Centre CASSIOPEIA

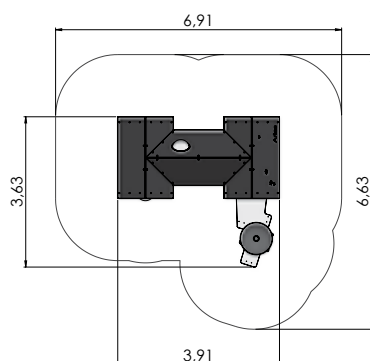
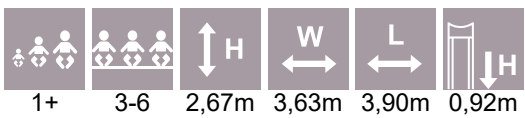
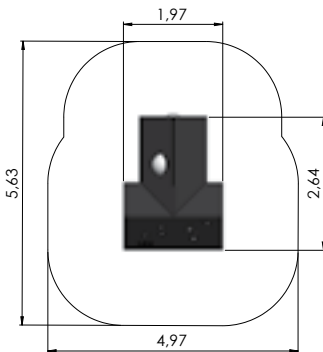
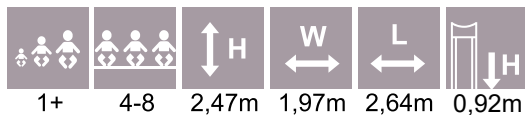
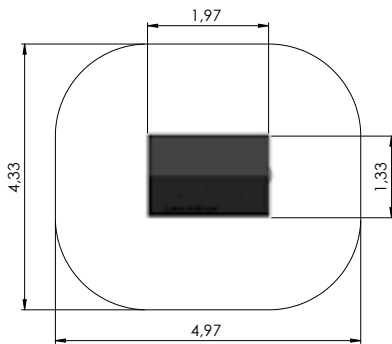
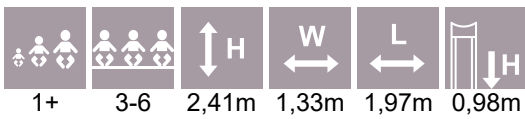
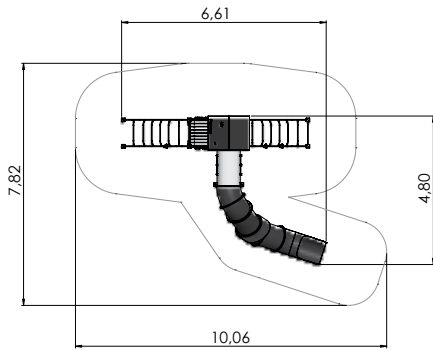
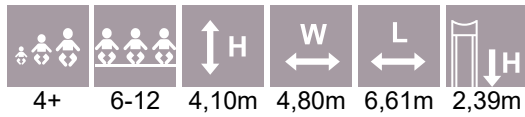


Z010 Play Centre AQUILA



Z012 Play Centre ANTLIA





Z013 Play Centre FORNAX



ZODIAC

Z005 Playhouse LEO MINOR



Z006 Playhouse LEO

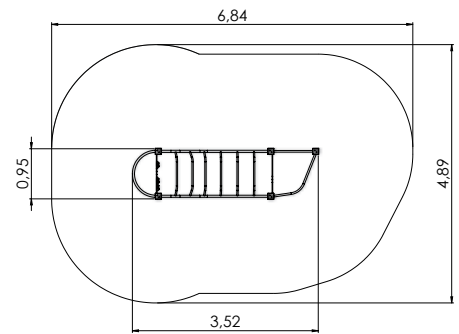
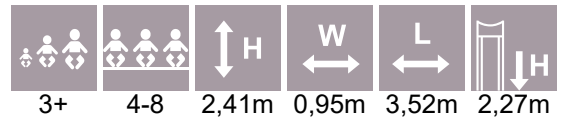


Z011 Playhouse ARIES

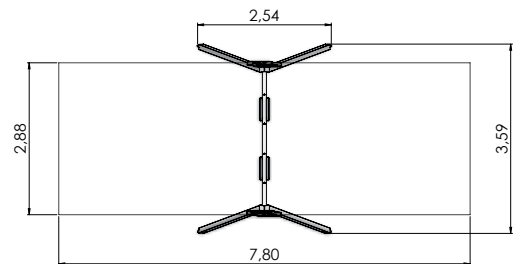
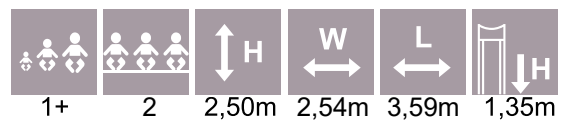




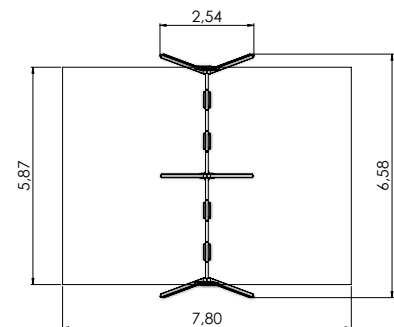
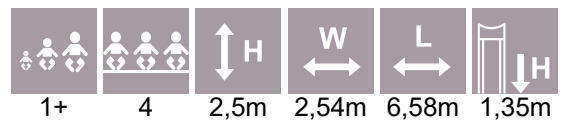
Z201 Climbing frame VEGA



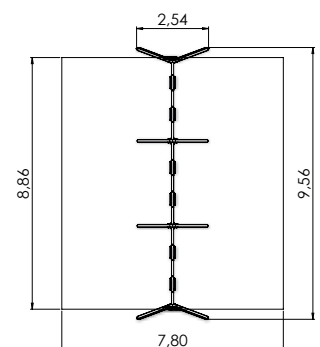
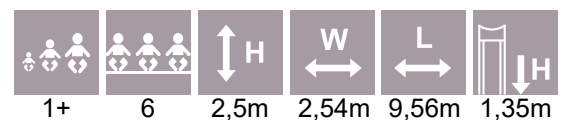
K002 Z Swing CROX 2 places
(without seats and fittings)



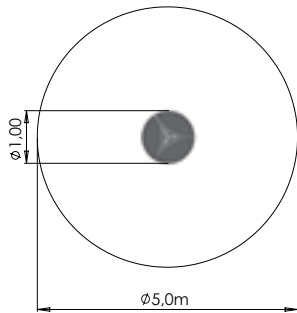
K008 Z Swing CROX 4 places
(without seats and fittings)



K009 Z Swing CROX 6 places
(without seats and fittings)



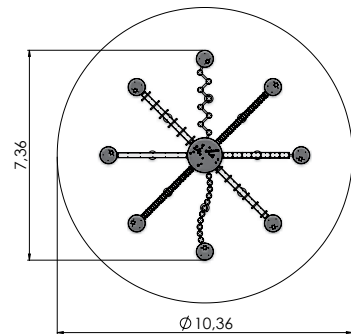
2+	1-4	0,84m	1,00m	1,00m	1,00m



KM005 Z Carousel SAGITTARIUS



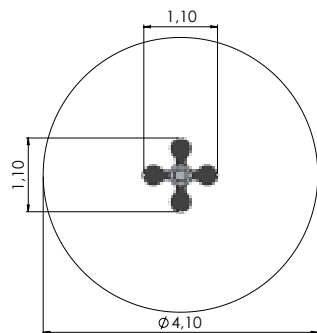
4+	8-16	1,3m	7,36m	7,36m	0,57m



TKR001 Z ZODIAC COMPASS



2+	4	0,76m	1,10m	1,10m	0,70m



VLI44 Z Spring swing FLOWER



1+	4-8	0,39m	2,00m	2,00m

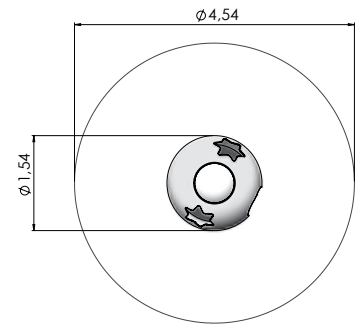
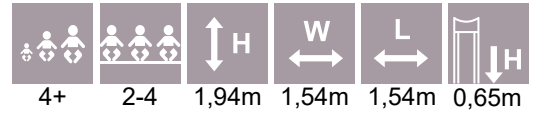


LK20 Z Sandbox - 2000x2000

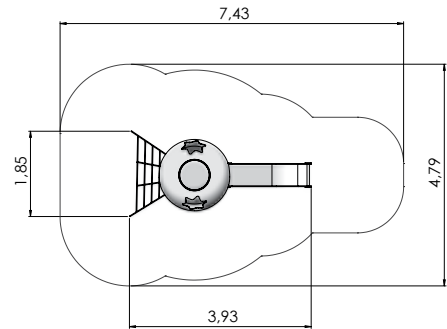
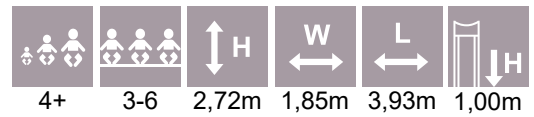




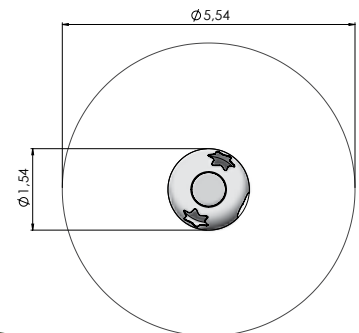
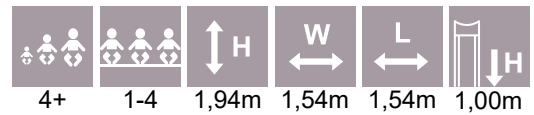
BL01 Spring swing SPUTNIK



BL02 Slide SPUTNIK



BL03 Carousel SPUTNIK



FARM



FARM

FARM

Welcome to our enchanting world of Farmyard Fun, where imagination takes root and adventure grows! Our Farm-Themed Playground Series is a delightful fusion of play and nature, designed to transport children to the heart of a vibrant and interactive farm experience. As the sun-drenched fields and cheerful barns come to life in a captivating play environment, young explorers are invited to embark on a journey that combines the joy of play with the wonders of farm life.

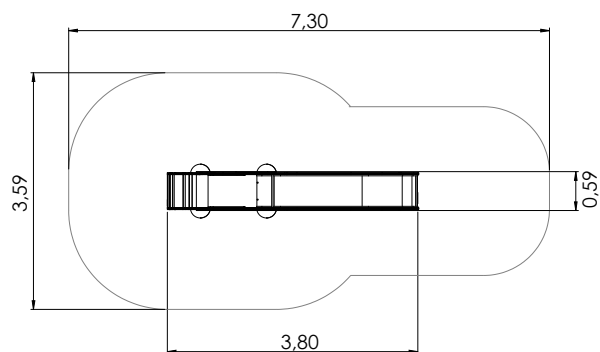
In this series, we've meticulously crafted a range of play structures that pay homage to the charm and excitement of the countryside. From whimsical barn-themed sandplay centers to interactive animal sculptures, every element is thoughtfully designed to inspire creativity, foster social interactions, and provide endless hours of laughter-filled exploration. As children engage in active play,

they'll develop physical skills, cognitive abilities, and a deeper connection to the natural world.

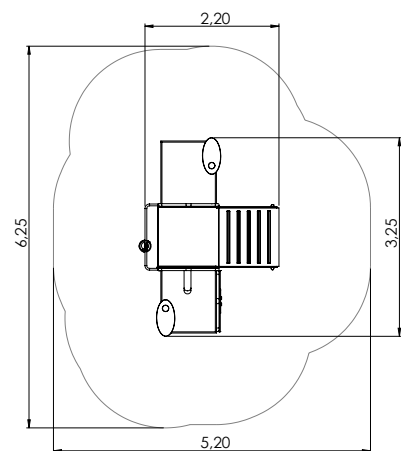
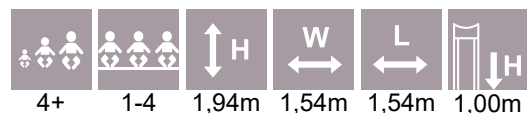
Safety is our utmost priority, just as it is on a real farm. Each play structure within our Farm-Themed Playground Series is crafted with precision and undergoes rigorous testing to ensure it meets the highest safety standards. Parents and caregivers can relax knowing that their little ones are free to roam, learn, and grow in a secure and nurturing environment.

Join us as we cultivate joy, sow laughter, and reap unforgettable memories on our Farm-Themed Playground Series. Whether it's tending to a make-believe garden, clambering up a haystack, or imagining life as a friendly farm animal, children are invited to let their imagination flourish and harvest the magic that only a farm-inspired playground can provide.

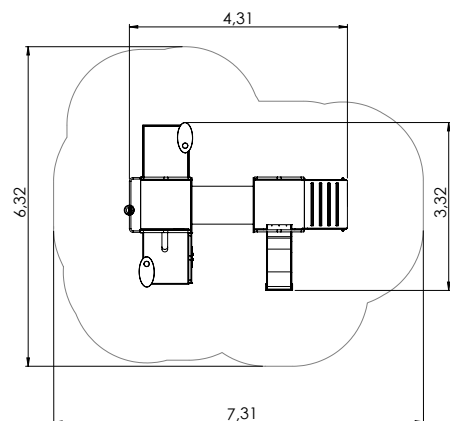
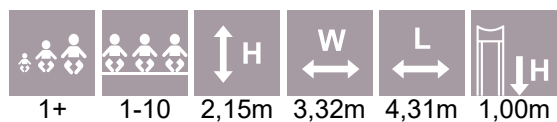
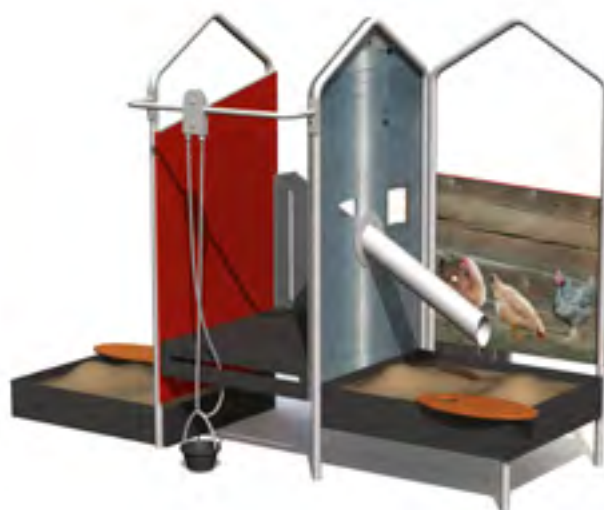




LM506 Slide HUSKY



FARM1 playcenter FARM SMALL

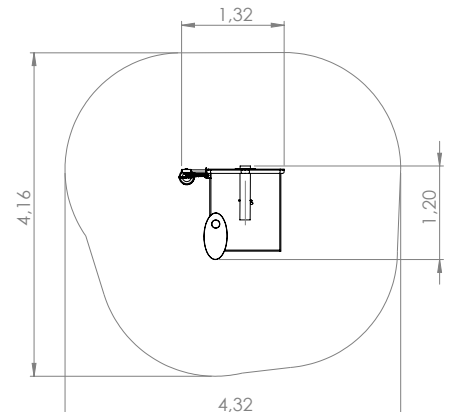


FARM3 playcenter FARM LARGE

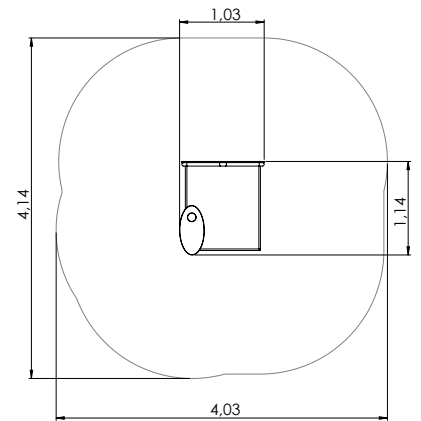
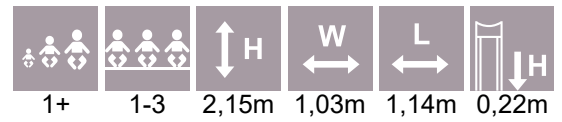


FARM

FARM5 sandplay GRANARY



FARM7 sandplay HORSE STABLE





URBAN

URBAN

URBAN




The desire to create is hidden in each person's nature. To aim at something and to prove oneself. To show that the goals are achievable. Overcoming all the obstacles and moving boundaries. We are sure of ourselves because we are young. And it's just us the prosperous future belongs to.

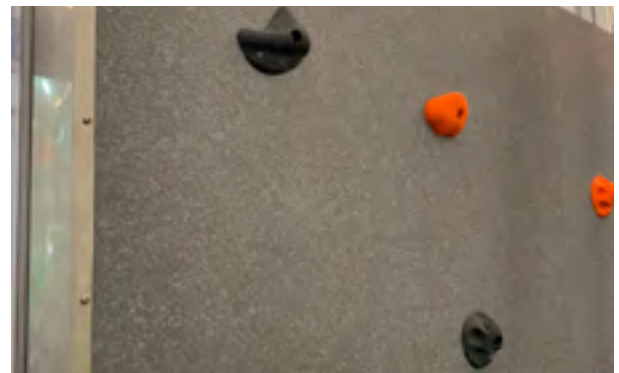
The new product line URBAN impresses with its powerful appearance. One gets the feeling of confronting something powerful and eternal. Indeed, the concrete-like heavy looking material is vandal-proof and extremely durable. You will be convinced immediately after setting a challenge to try yourself. The different labyrinths assembled from modules make one feel welcome and able to surmount obstacles. Come and demonstrate your skill!

The urban product line offers everything searched and expected by young people. They can demonstrate their strength and skill, quickness and invention, spirit and creativity. Grey colour tones refer to graffiti. Is this we are expecting? The modern urbanist design addresses both the admirers of modern architecture and the wildest artistic souls.




The attractions of the URBAN product line are easily installable. Powerful appearance hides high quality materials which combined with reinforced concrete and metal secure the best durability. Be the cities small or large – wherever there is URBAN, there are the young.

CON101

		
2,50m	5,33m	2,20m






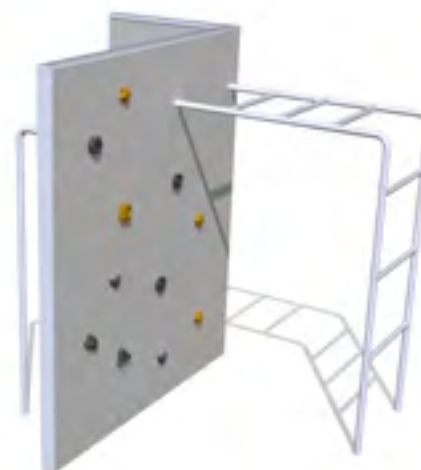
CON105

		
2,50m	5,23m	6,64m






CON201

 H	 L	 W
2,80m	2,38m	2,82m






CON202

 H	 L	 W
2,50m	4,55m	4,05m






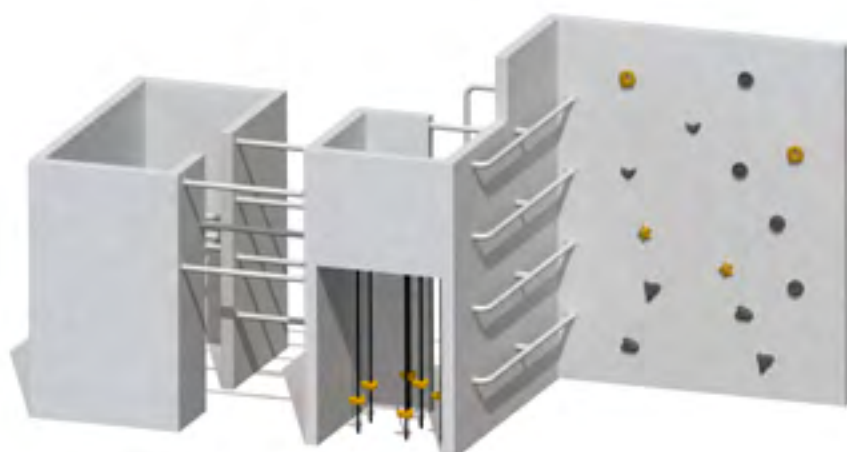
CON203

 H	 L	 W
2,50m	6,27m	4,57m



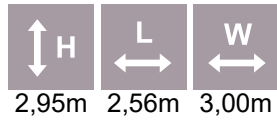
CON204

 H	 L	 W
2,80m	5,66m	2,38m

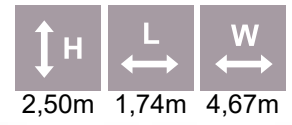


URBAN

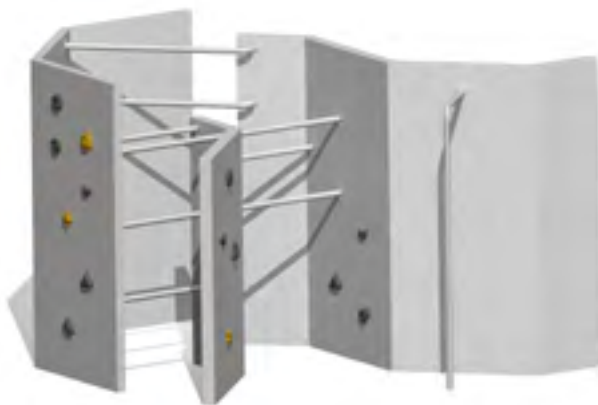
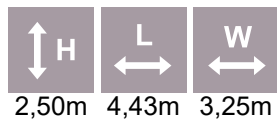
CON301



CON302



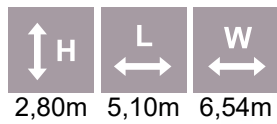
CON303



CON304



CON305



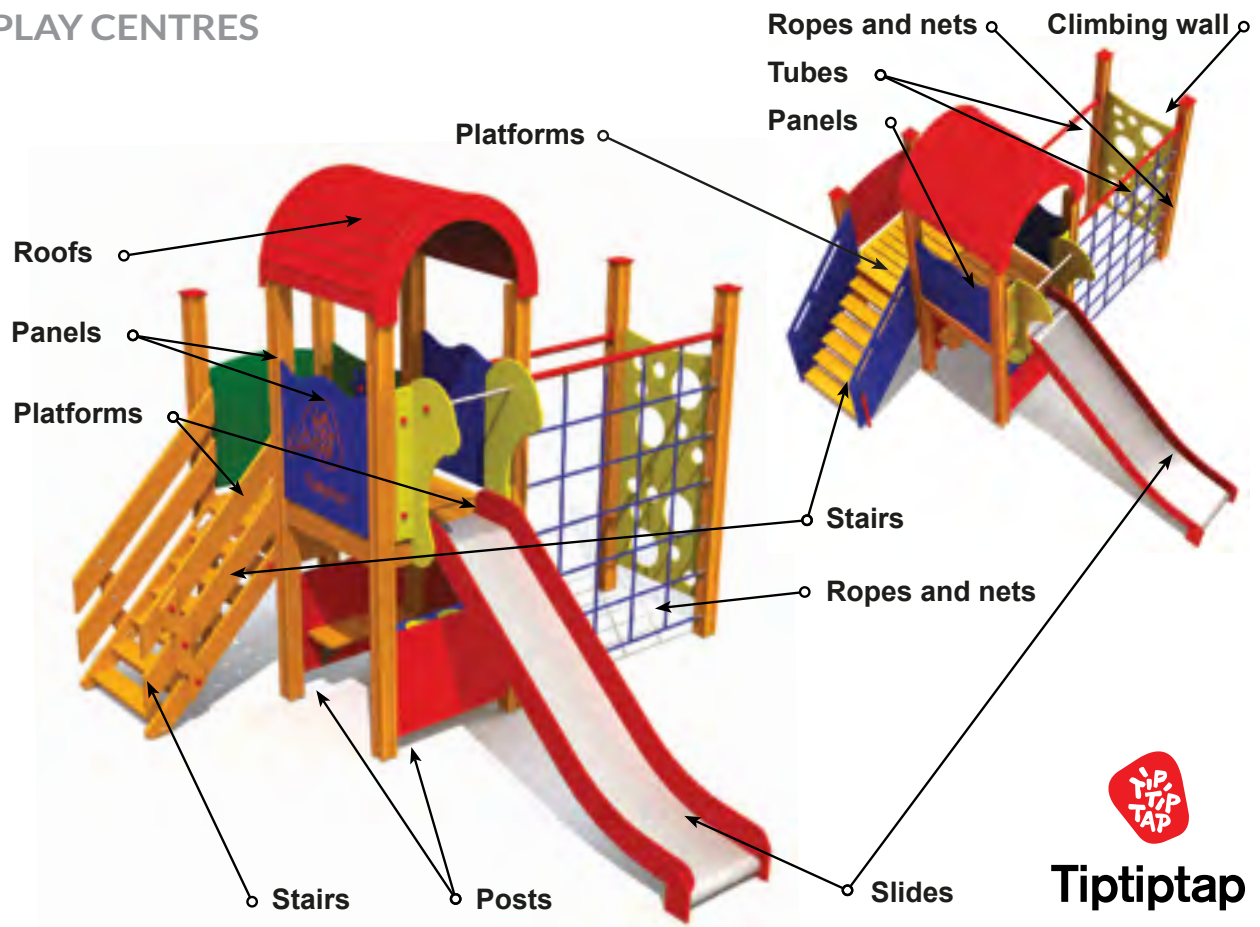
PLAY CENTRES



COLOR OPTIONS:



PLAY CENTRES



Material options

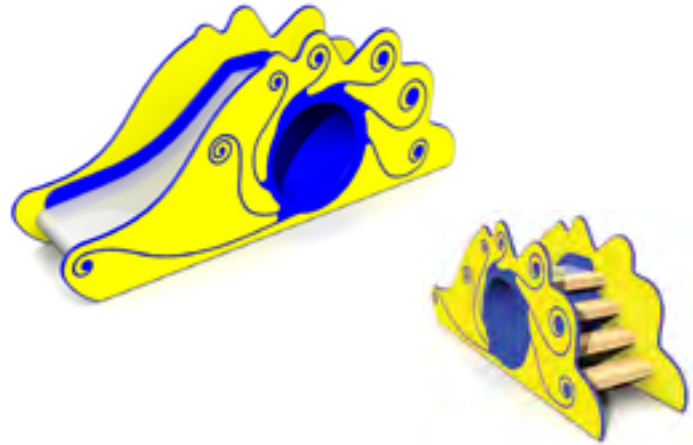
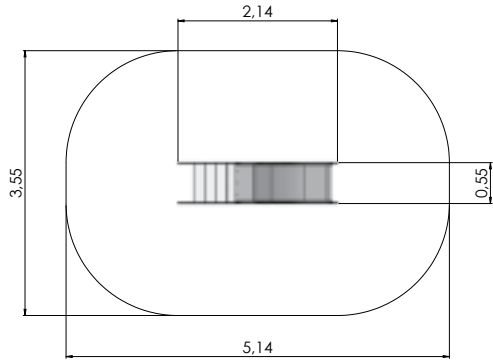
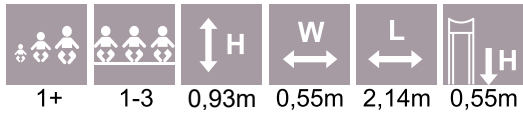
Tiptap products are safe, durable and of high quality. When creating a new product, we think of future users for whom the attraction must be safe, fulfil its purpose, be fun to use, beautiful to look at.

Our **standard** range uses glued laminated timber posts. The posts are impregnated with anti-mould and anti-rot agent; primed with clear wood preservative; finished with two layers of special translucent exterior paint.

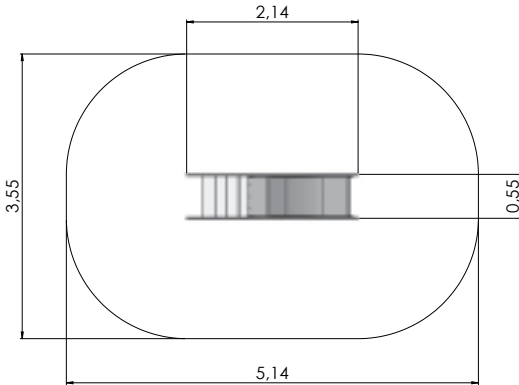
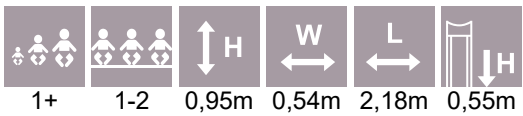
All our products are available also as **maintenance free (MF)**. The main constructions in the maintenance free range are made of aluminium. Platforms, stairs, ramps and slopes are additionally covered with abrasion- and anti-slip 2-component UV-resistant elastomer plastic coating.

	PE (standard)	MF (maintenance free)
Posts	Laminated wood	Powder coated aluminium
Platforms	Laminated wood	Plastic covered laminated wood
Panels	HDPE plastic	HDPE plastic
Climbing walls	HDPE plastic	HDPE plastic
Roofs	HDPE plastic	HDPE plastic
Tubes	Zinc and powder coated steel	Zinc and powder coated steel
Ropes and nets	Six-strand PES cover braided steel ropes	Six-strand PES cover braided steel ropes
Slides	Stainless steel and HDPE plastic	Stainless steel and HDPE plastic
Stairs	Laminated wood	Plastic covered laminated wood
Climbing grips	HDPE plastic	HDPE plastic
Fixings	Stainless steel	Stainless steel

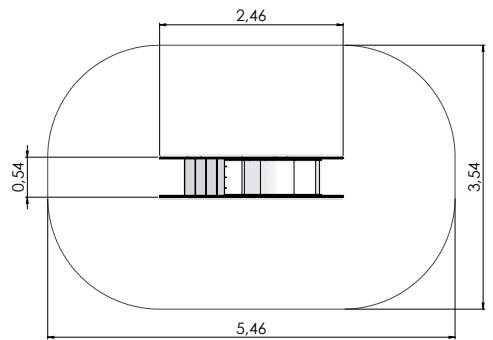
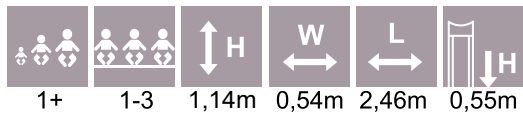
PLAY CENTRES



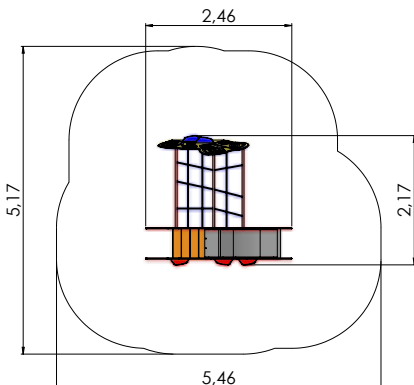
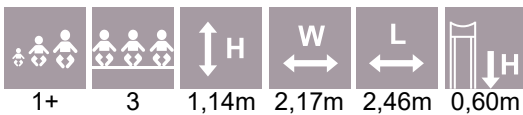
LM020 Slide SHELL



LM020-1 Slide SHELL round



LM021 Slide BEAVER



LM021-1 Slide BEAVER with climbing frame

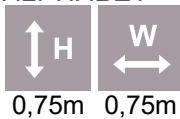


ACTIVITY PANELS

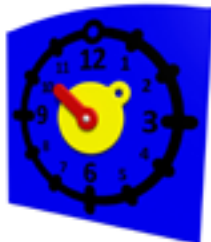
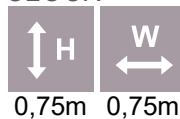
COLOR OPTIONS:



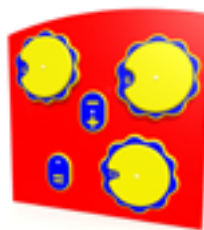
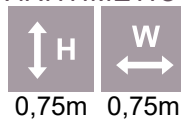
AP01
ALPHABET



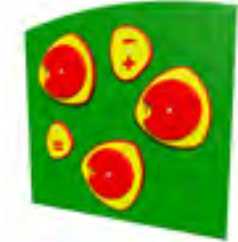
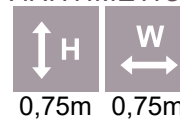
AP02
CLOCK



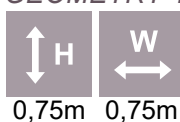
AP03
ARITHMETICS 1



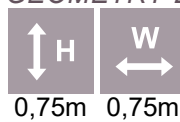
AP04
ARITHMETICS 2



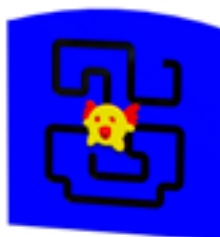
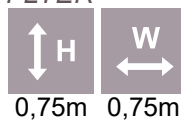
AP05
GEOMETRY 1



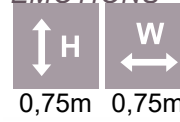
AP06
GEOMETRY 2



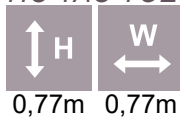
AP11
FLYER



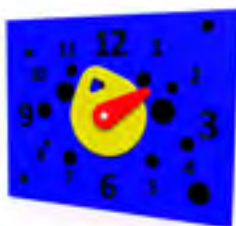
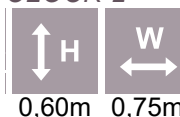
AP12
EMOTIONS



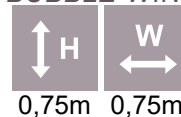
AP13
TIC-TAC-TOE



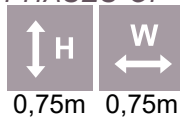
AP14
CLOCK 2



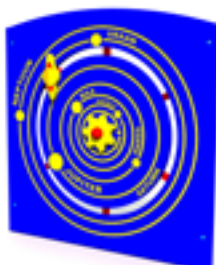
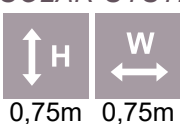
AP15
BUBBLE WINDOW



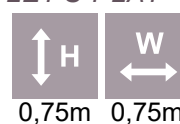
AP16
PHASES OF THE MOON



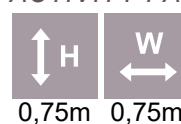
AP17
SOLAR SYSTEM



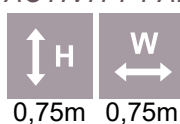
AP18
LET'S PLAY



AP19
COURIER PLAY
ACTIVITY PANEL



AP20
PRINTED
ACTIVITY PANEL



CLIMBING WALLS



AP07
ARITHMETICS 3

↑ H	← W
1,80m	0,75m



PLAY
CENTRES

AP10 CLIMBING
WALL FOREST

↑ H	← W
3,00m	2,80m



AP08
CLIMBING WALL PIRATE

↑ H	← W
3,00m	2,80m



AP09 CLIMBING WALL
WATER WORLD

↑ H	← W
3,00m	2,80m

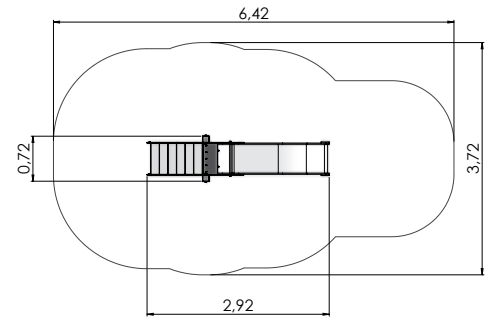
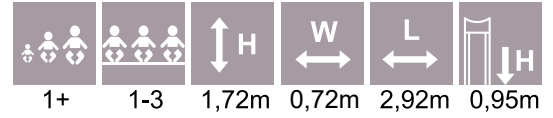


PLAY CENTRES

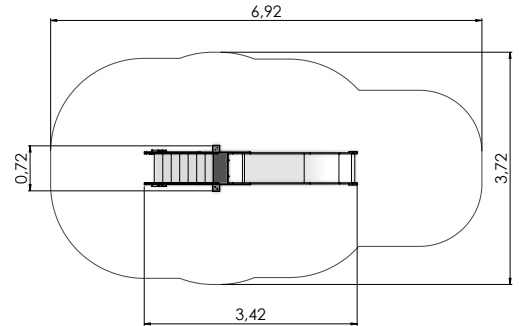
COLOR OPTIONS:



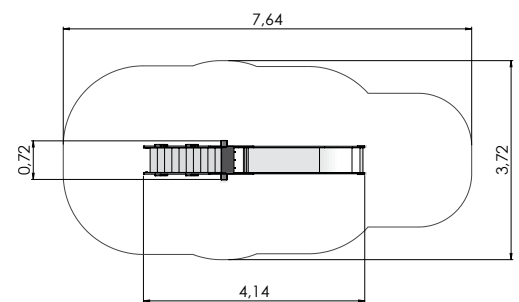
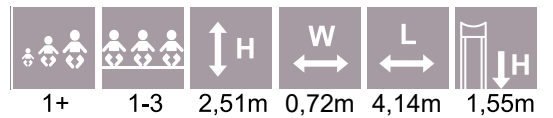
LM004 Slide MIA



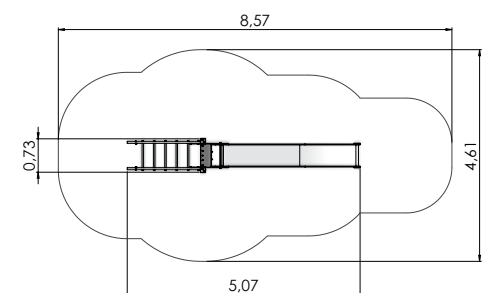
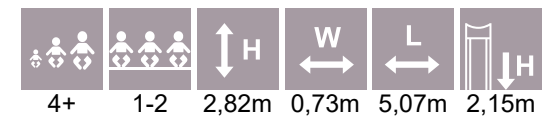
LM007 Slide ELO



LM008 Slide BOB

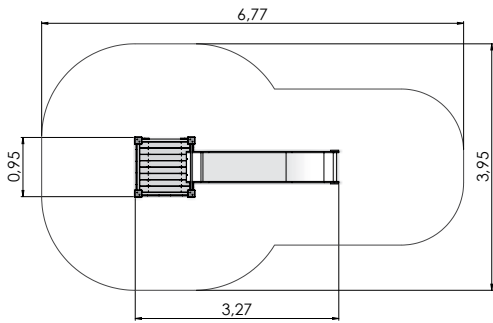


LM012 Slide BIA



PLAY CENTRES

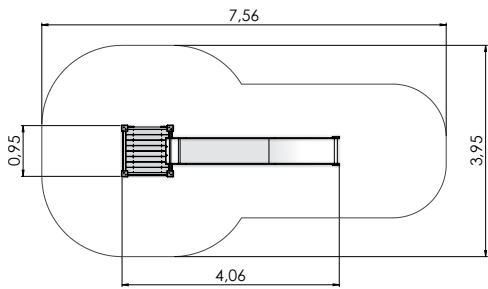
1+	3-5	2,57m	0,95m	3,27m	0,24m



LM011 Slide DAN (1,55m)



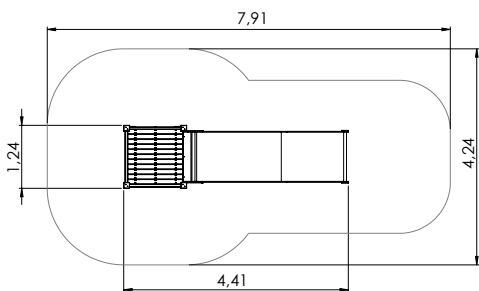
1+	3-5	3,17m	0,95m	4,06m	0,24m



LM011-1 Slide DEE (2,15m)



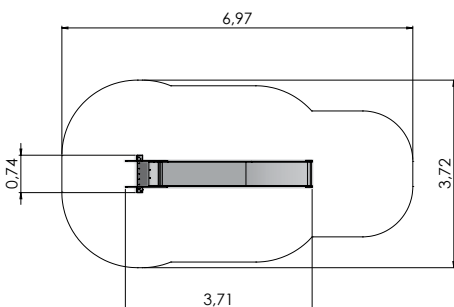
1+	1	3,15m	1,24m	4,31m	0,24m



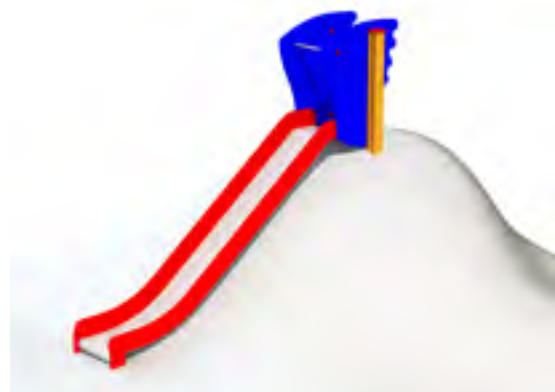
LM011-2 Slide DEB (wide slide, 2,15m)



1+	3-5	3,1m	0,74m	3,71m	0,24m



LM012-1 Slide BUD

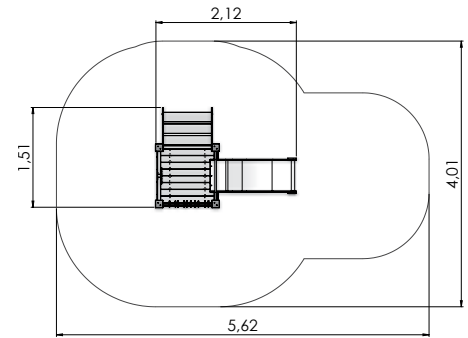
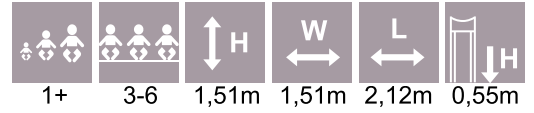


PLAY CENTRES

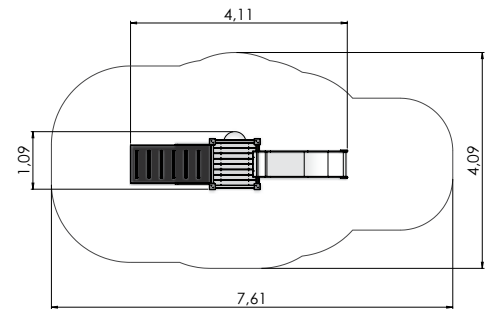
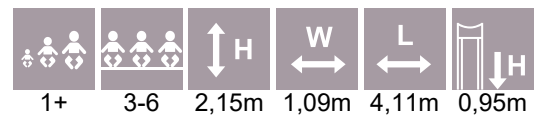
COLOR OPTIONS:



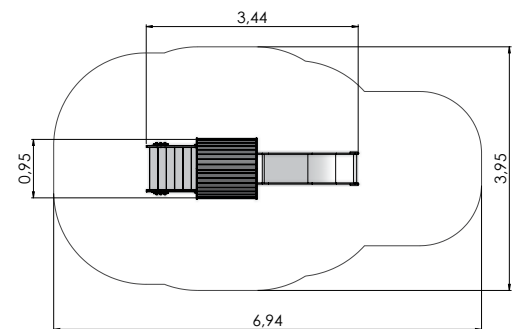
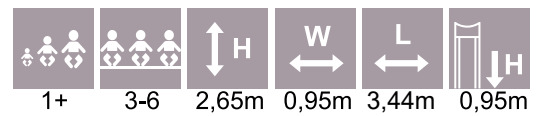
LM014 Slide ALF



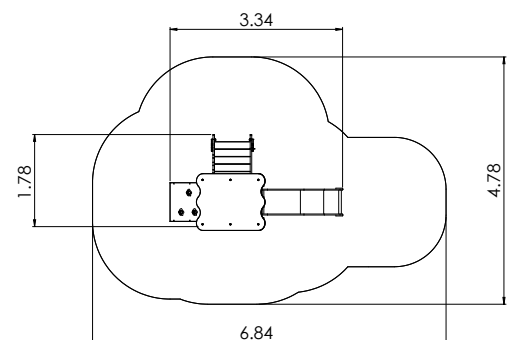
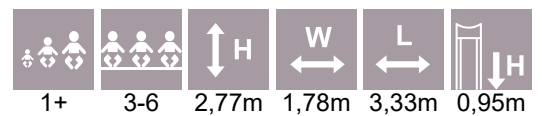
LM001 Slide TIM



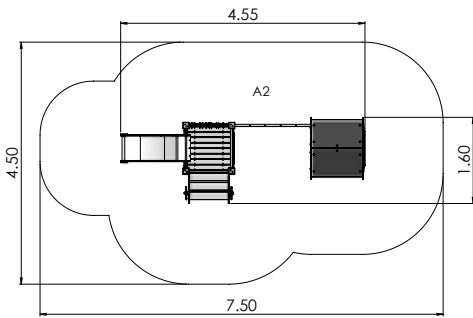
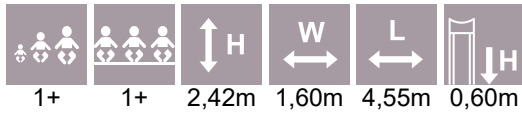
LM002 Slide ANN



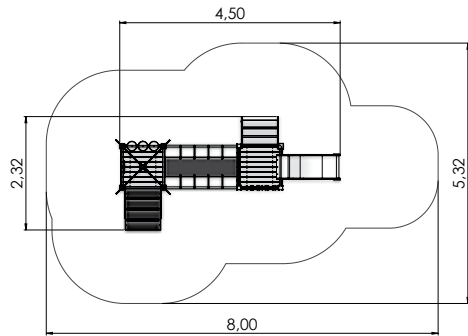
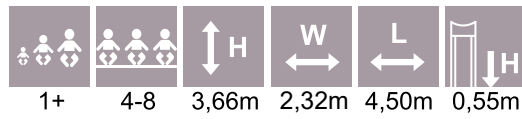
LM013 Slide SAM



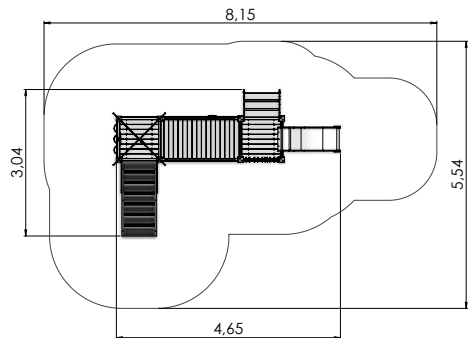
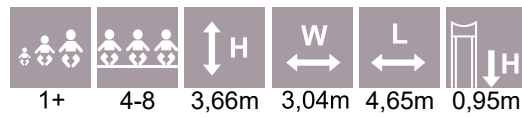
PLAY CENTRES



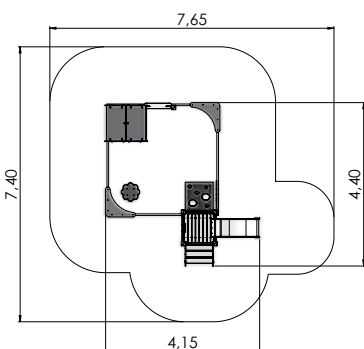
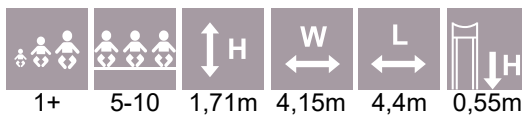
LM019 Play Centre BOBBY



LM010 Play Centre BRITA



LM009 Play Centre ANETE



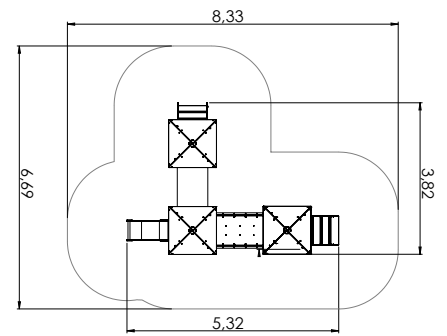
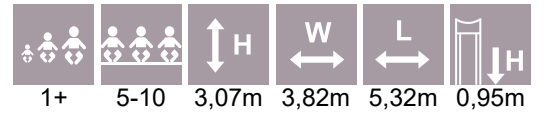
LMK004 Play Centre PAULA

PLAY CENTRES

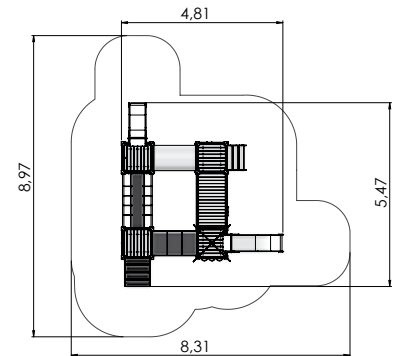
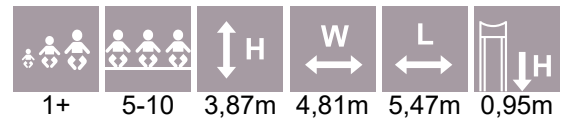
COLOR OPTIONS:



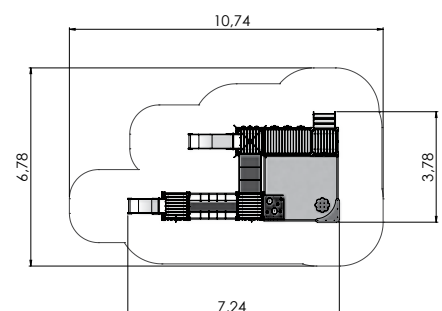
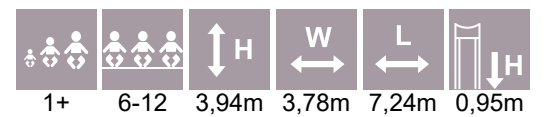
LM016-1 Play Centre LOTA



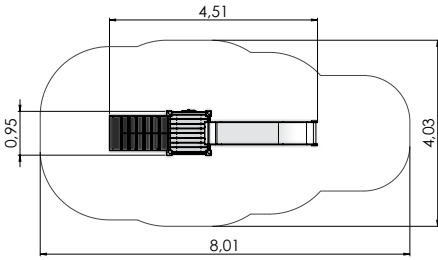
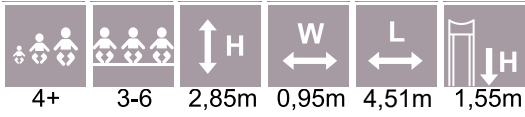
LM016 Play Centre AMANDA



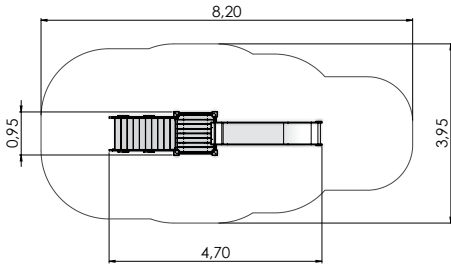
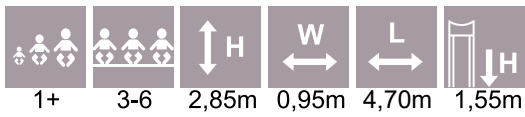
LM017 Play Centre AMANDUS



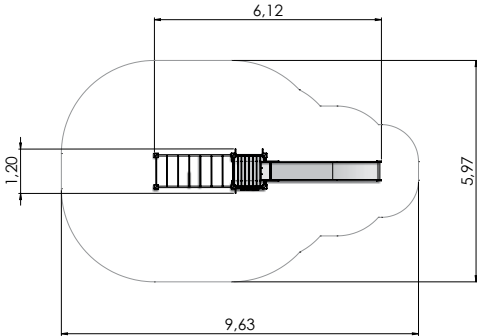
PLAY CENTRES



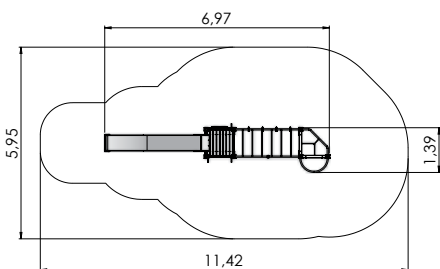
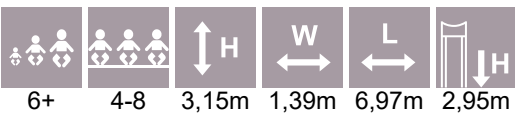
LM207 Slide BEN



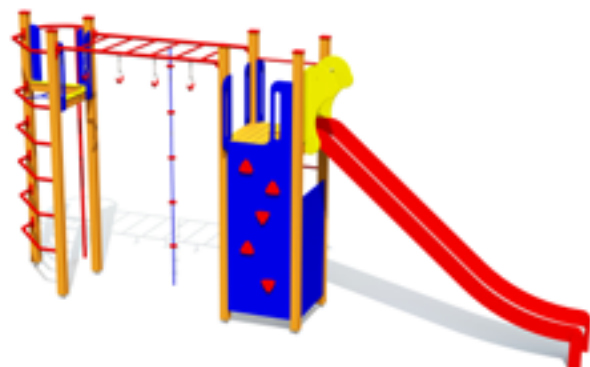
LM207S Slide EVE



LM231-1 Play Centre CARLOS



LM231 Play Centre CARL

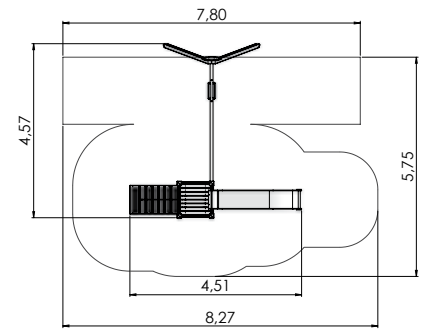
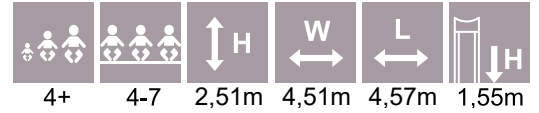


PLAY CENTRES

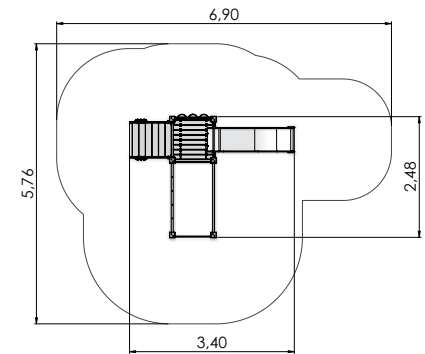
COLOR OPTIONS:



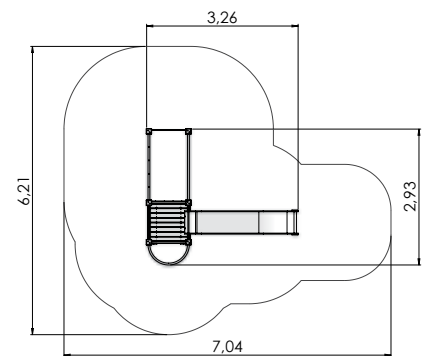
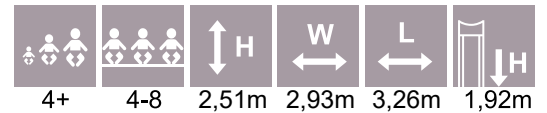
LM211 Play Centre PAUL



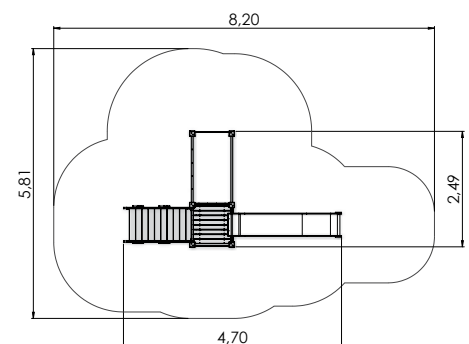
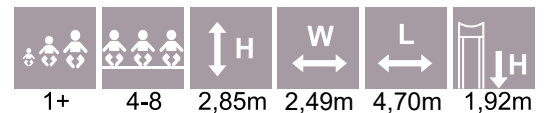
LM003 Play Centre JACOB



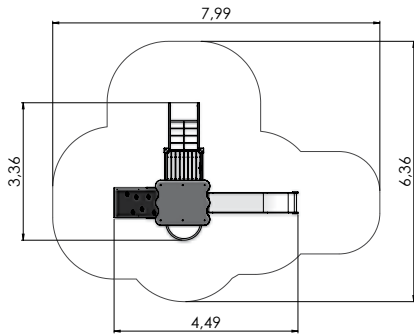
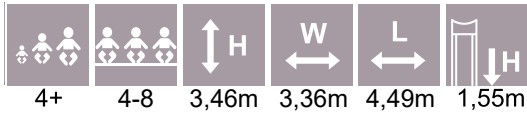
LM214-1 Play Centre HARDY



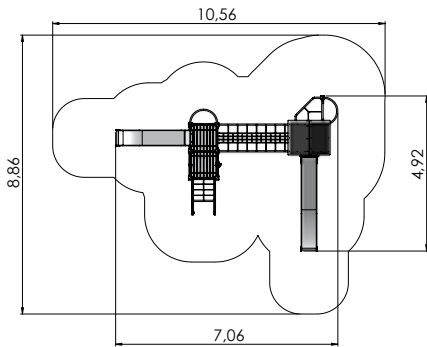
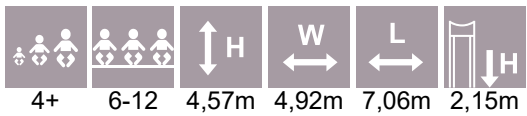
LM214 Play Centre HARRY



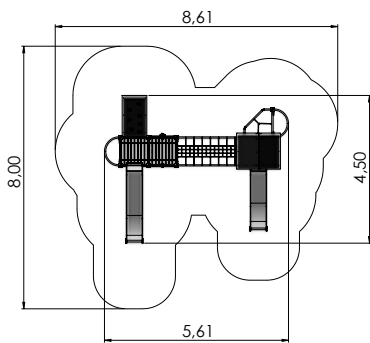
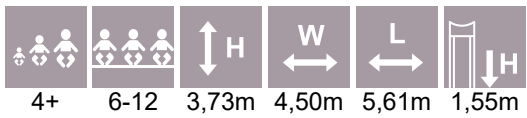
PLAY CENTRES



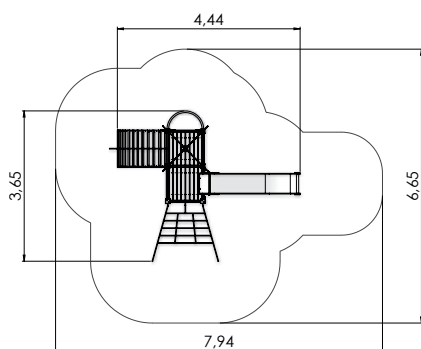
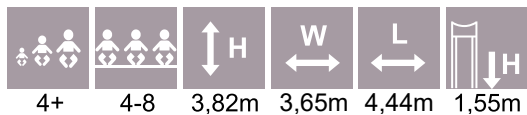
LM103 Play Centre ROBERT



LM240 Play Centre RENATA



LM240-1 Play Centre ROBIN



LM219 Play Centre CONRAD

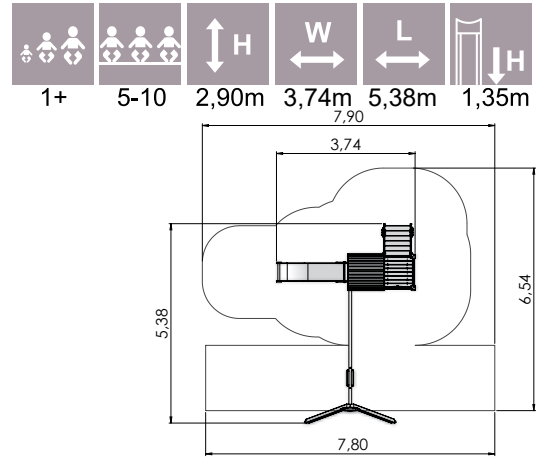


PLAY CENTRES

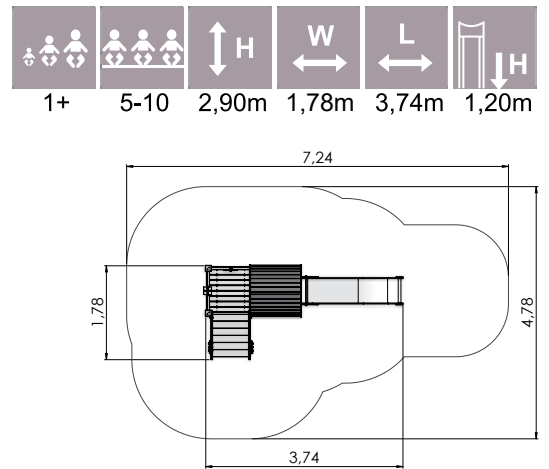
COLOR OPTIONS:



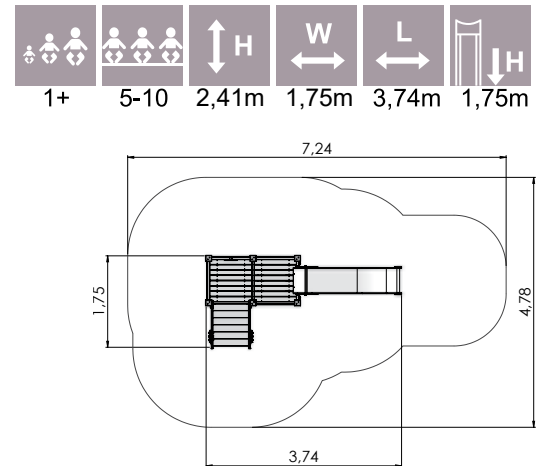
LM210 Play Centre MONA



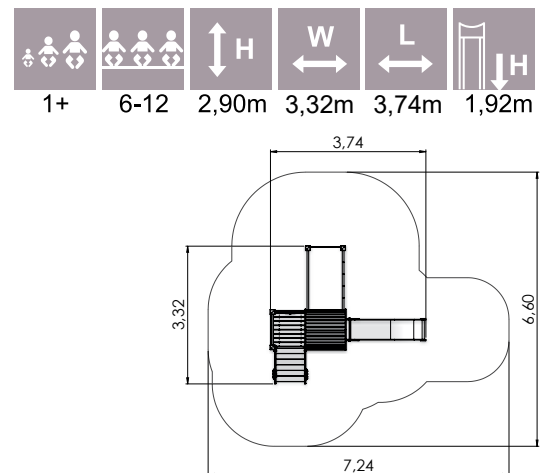
LM201 Slide EMMA



LM200 Slide LARS



LM202 Play Centre MARIA



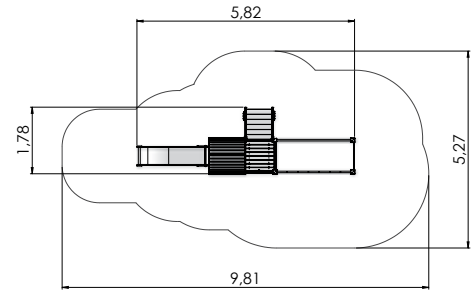
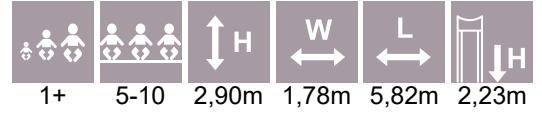


PLAY CENTRES

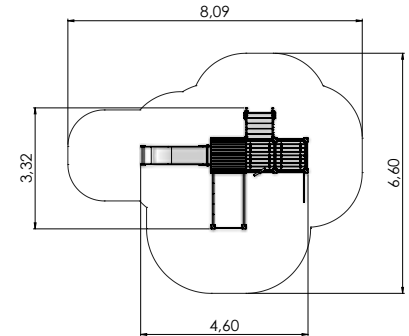
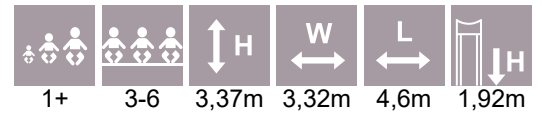
COLOR OPTIONS:



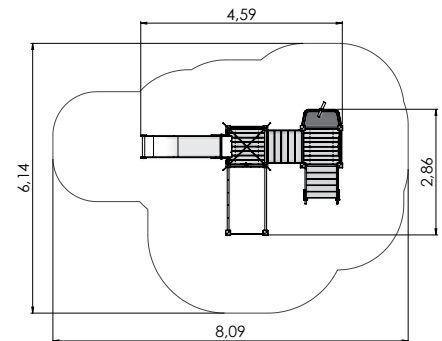
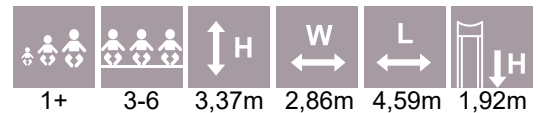
LM202-1 Play Centre MARIE



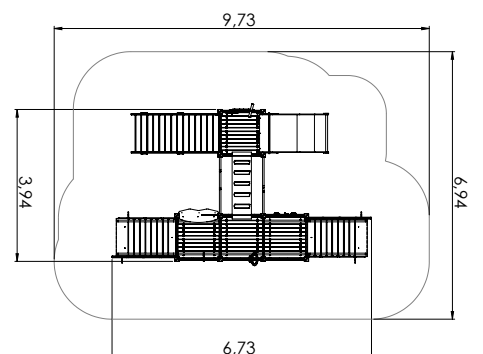
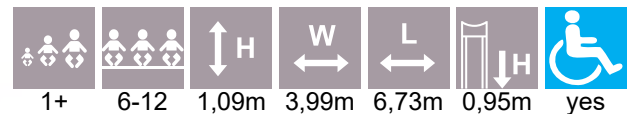
LM202-2 Play Centre MARION



LM202-3 Slide MARIUS

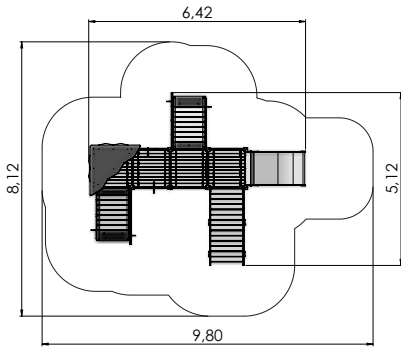
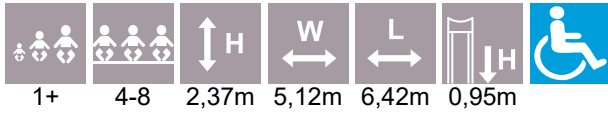


LM233 Slide MAGDALENA

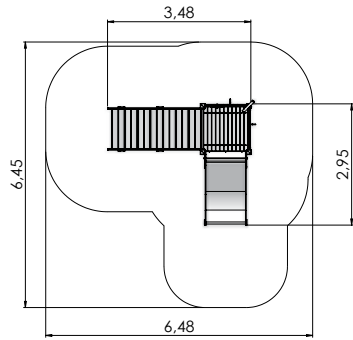
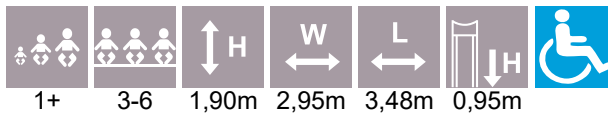


PLAY CENTRES

LM223 Play Centre *THERESA*



LM224 Slide *THEO*

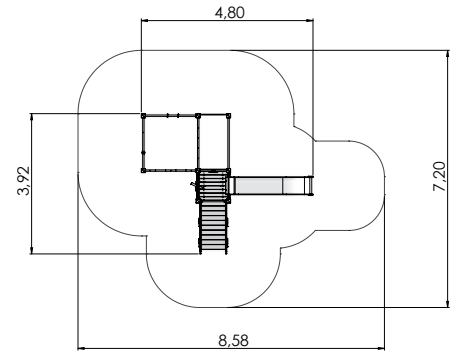
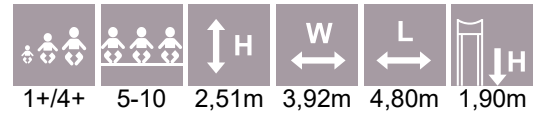


PLAY CENTRES

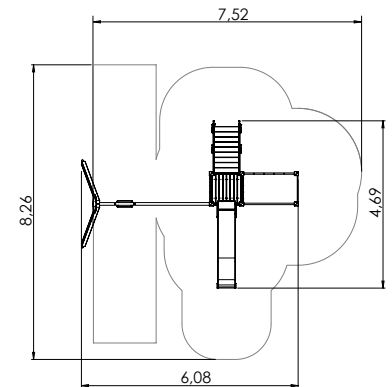
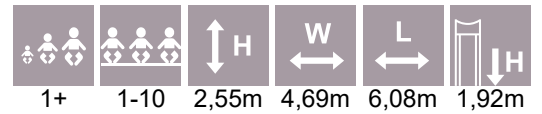
COLOR OPTIONS:



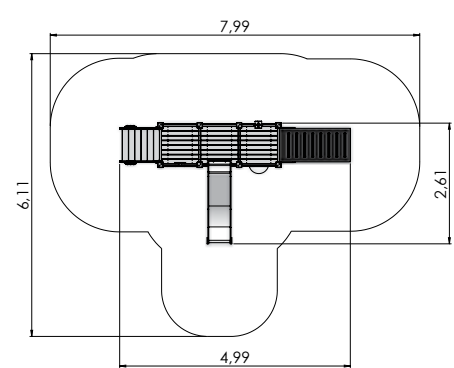
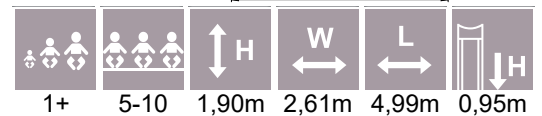
LM214-2 Play Centre with Climbing Frame HOLLY



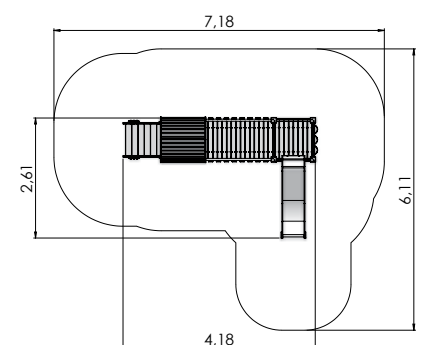
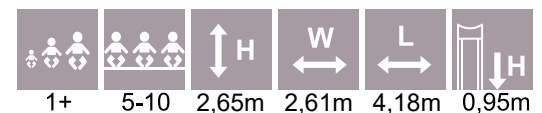
LM214-3 Play Centre with Climbing Frame and Swing HARRIET



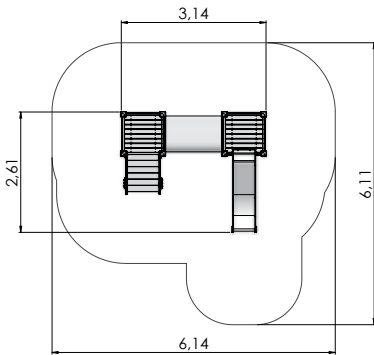
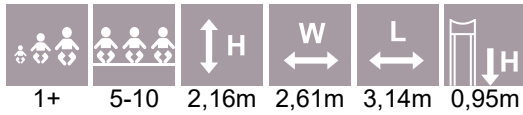
LM005 Play Centre OSCAR



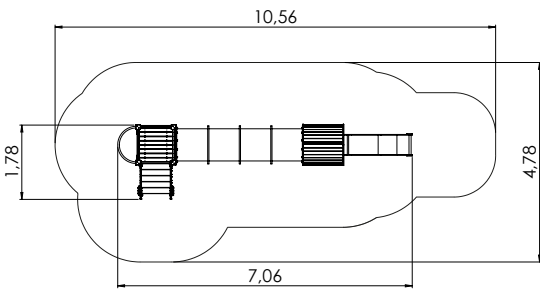
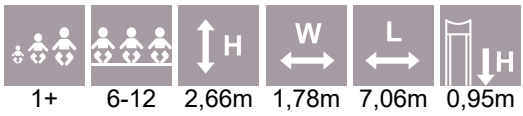
LM006 Play Centre LAURA



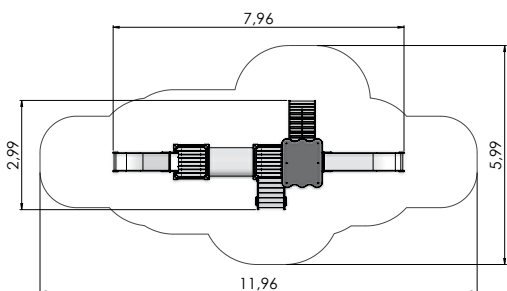
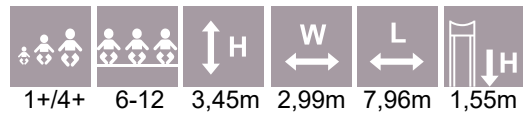
PLAY CENTRES



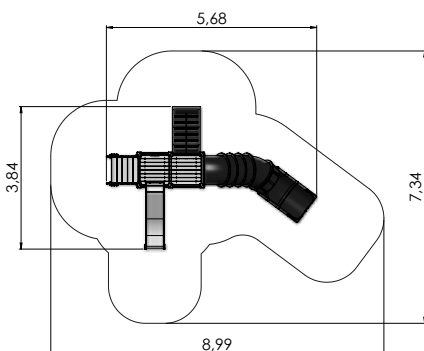
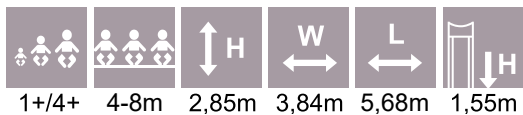
LM006-1 Play Centre LAURI



LM006-2 Play Centre LAUREN



LM105 Play Centre PETERI

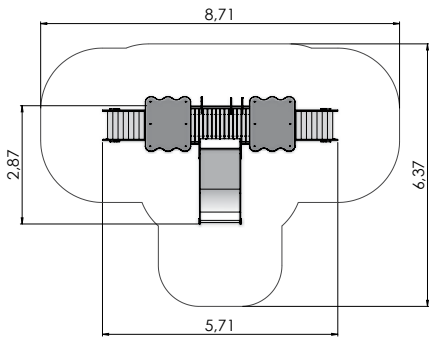


LM101 Play Centre MARCUS

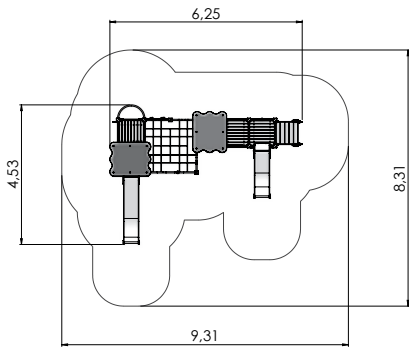
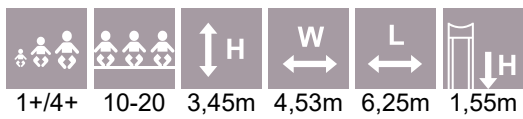




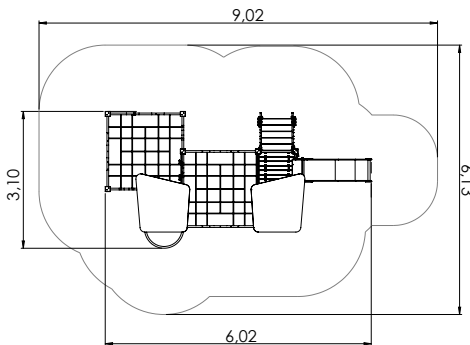
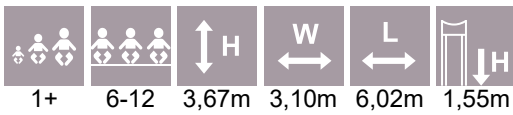
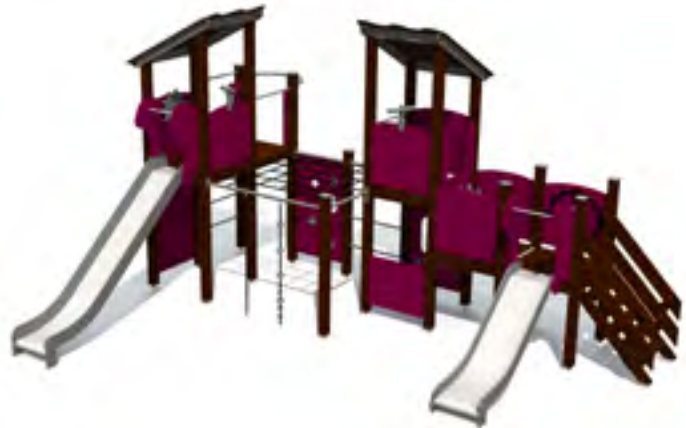
PLAY CENTRES



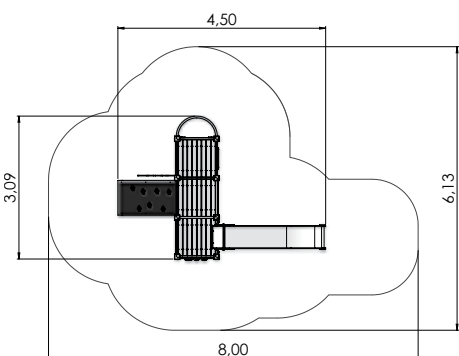
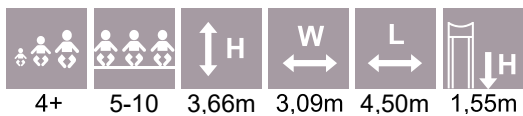
LM209 Play Centre OLIVER



LM228 Ply Centre FREDERIK



LM228-1 Ply Centre FELICIA



LM218 Play Centre INGRID

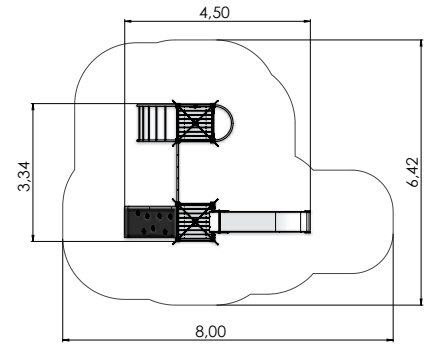
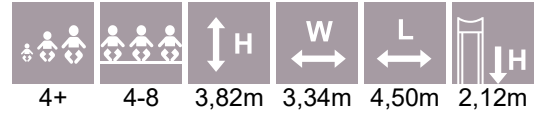


PLAY CENTRES

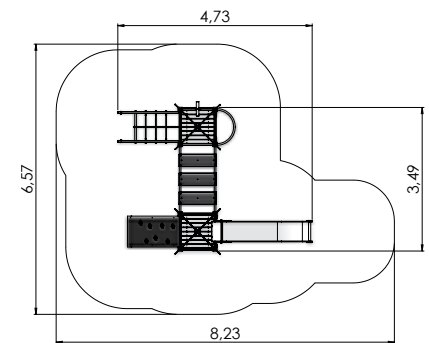
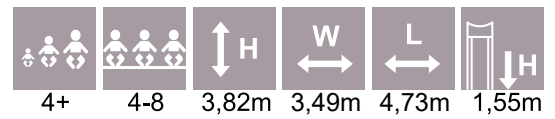
COLOR OPTIONS:



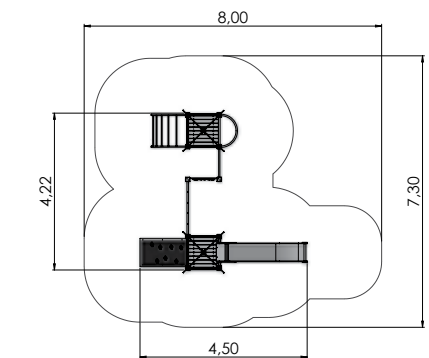
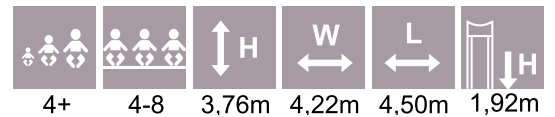
LM217-1 Play Centre HEDVIG



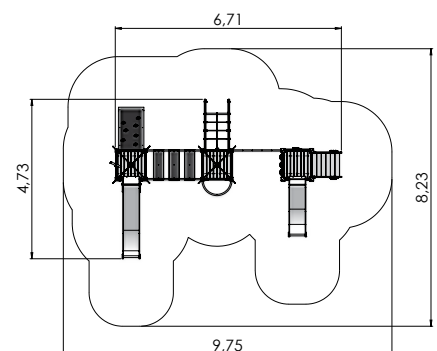
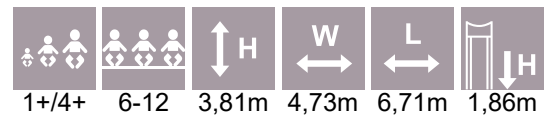
LM213 Play Centre DANIEL



LM217 Play Centre HARALD

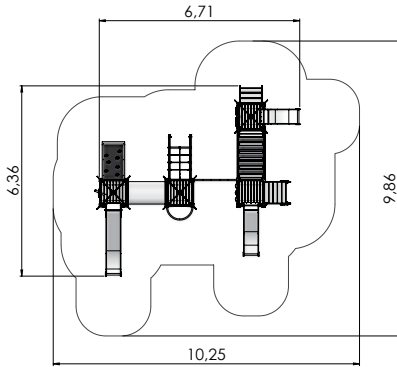


LM213-1 Play Centre DAGMAR



PLAY CENTRES

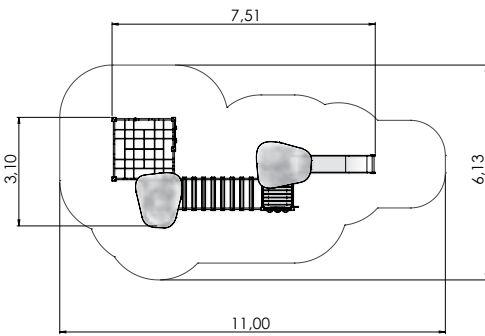
1+4+	10-15	3,80m	6,36m	6,71m	1,92m



LM213-2 Play Centre DURREL



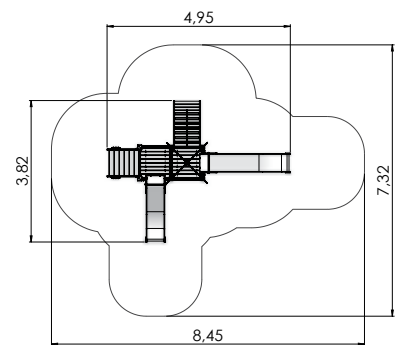
4+	5-10	3,66m	3,10m	7,51m	1,55m



LM227 Play Centre FRANCIS



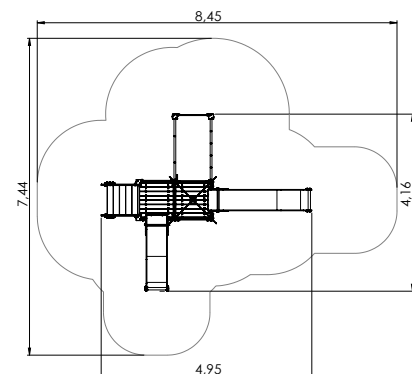
1+4+	5-10	3,82m	3,82m	4,95m	1,55m



LM100 Play Centre REGINA



1+	5-10	3,81m	4,16m	4,95m	1,92m



LM100-2 Play Centre REMY

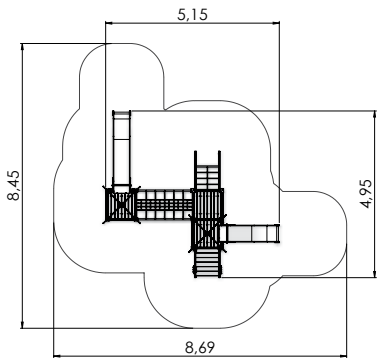
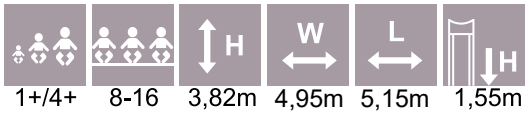




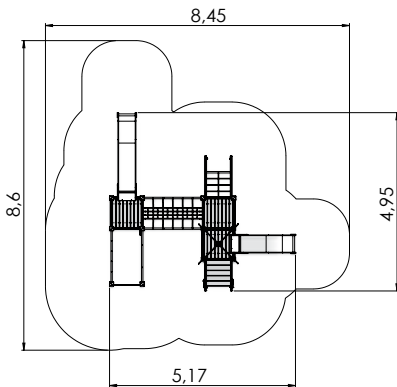
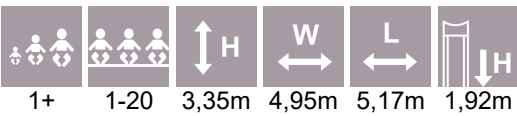




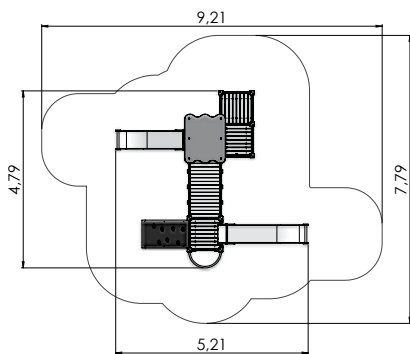
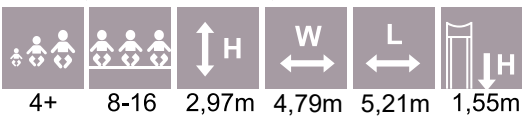
PLAY CENTRES



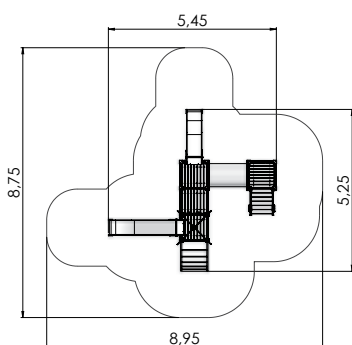
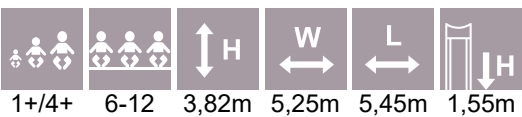
LM102 Play Centre JOHANNA



LM102-2 Play Centre JONATHAN



LM203 Play Centre RICHARD



LM222 Play Centre ISABEL

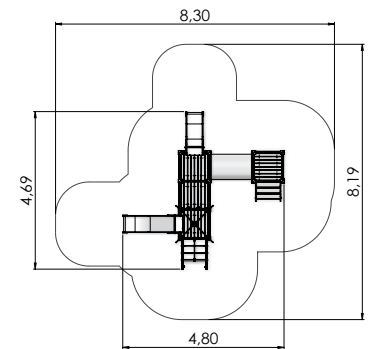
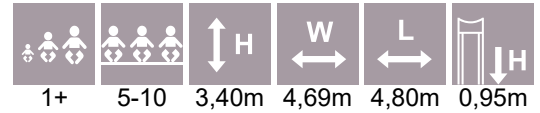


PLAY CENTRES

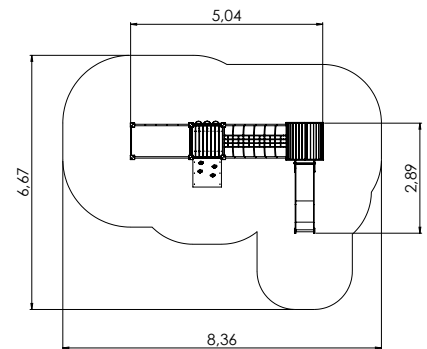
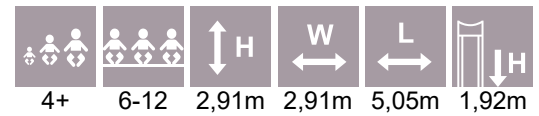
COLOR OPTIONS:



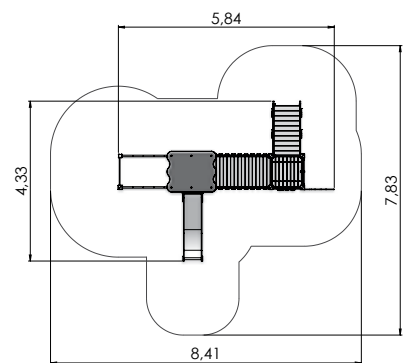
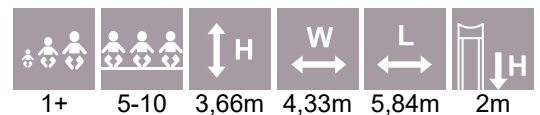
LM222-1 Play Centre ISABELLA



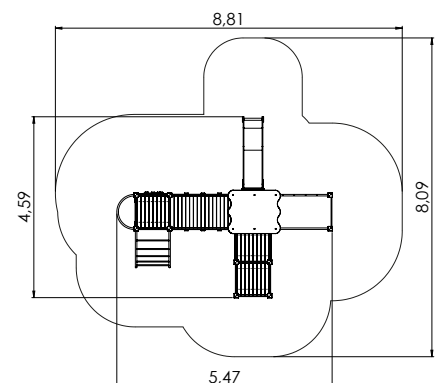
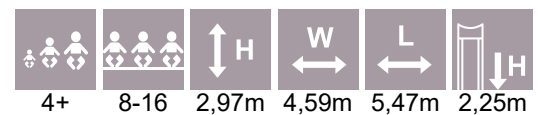
LM215-1 Play Centre LINDSAY



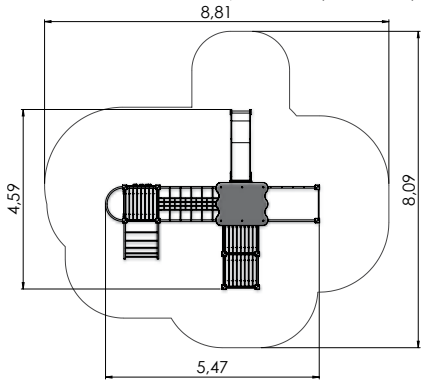
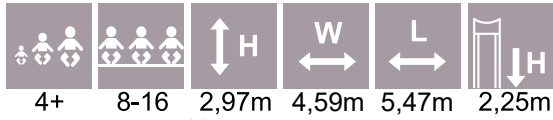
LM221 Play Centre ANNELY



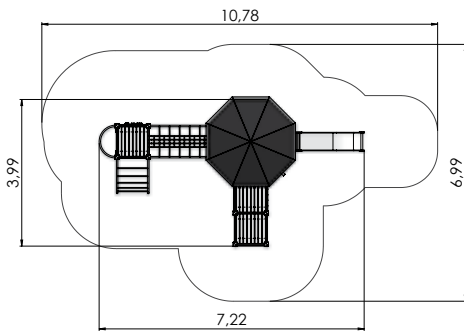
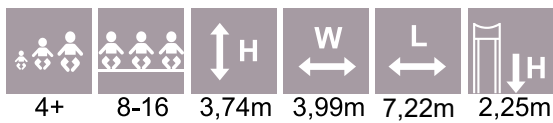
LM204 Play Centre RAYMOND



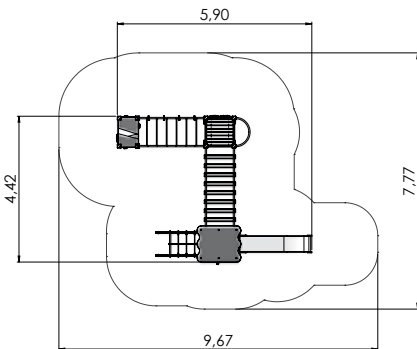
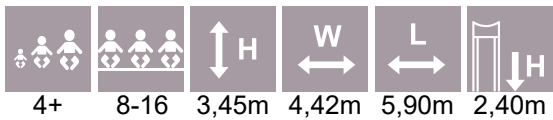
PLAY CENTRES



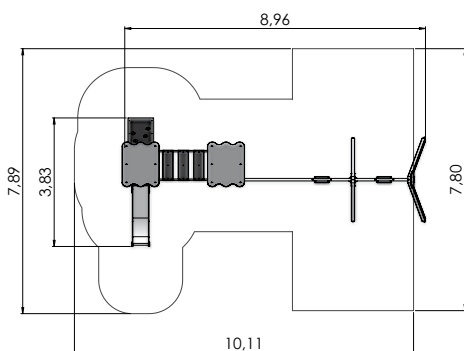
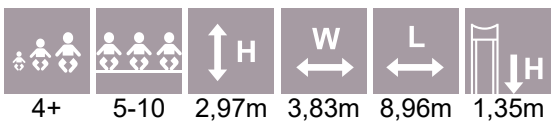
LM205 Play Centre REBECCA



LM220 Play Centre HERMANN



LM225-1 HANNA



LM225 Play Centre HANS





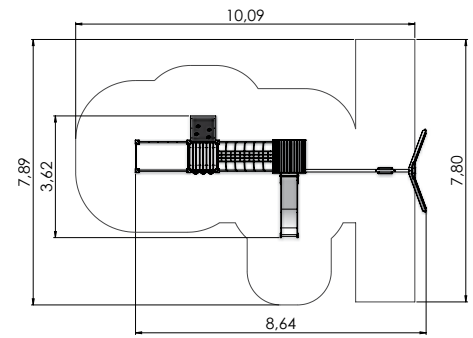
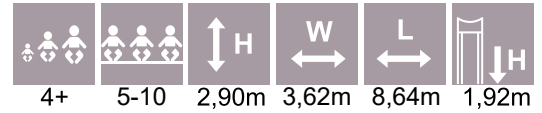


PLAY CENTRES

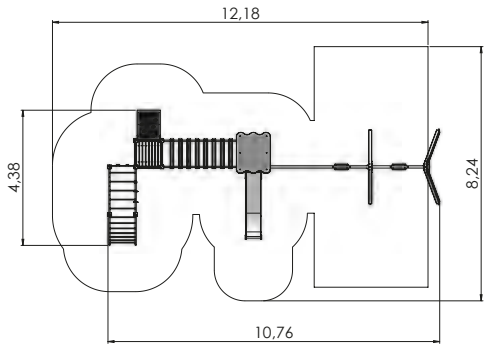
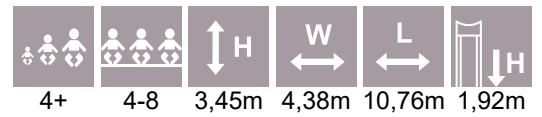
COLOR OPTIONS:



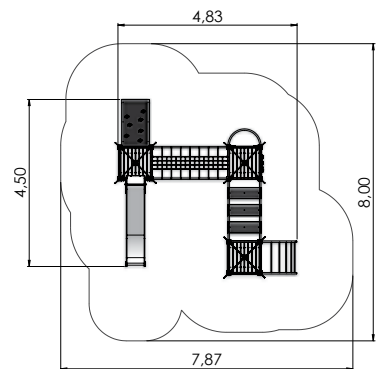
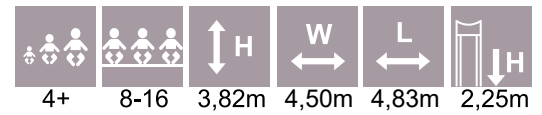
LM215 Play Centre LINCOLN



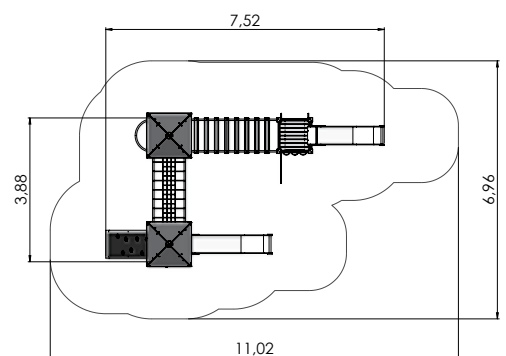
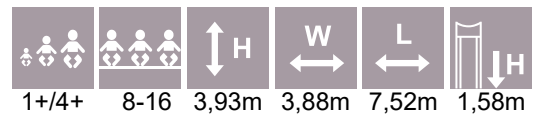
LM225-2 Play Centre HECTOR



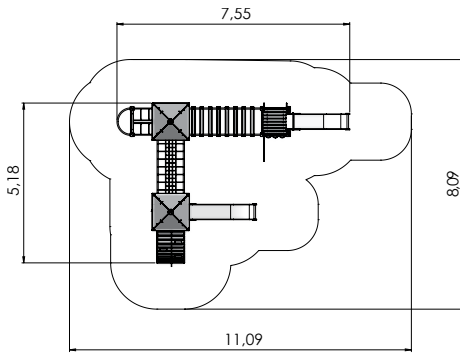
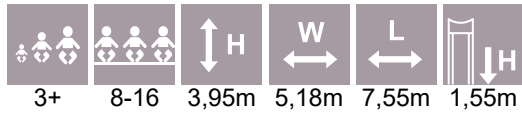
LM212 Play Centre ANNABEL



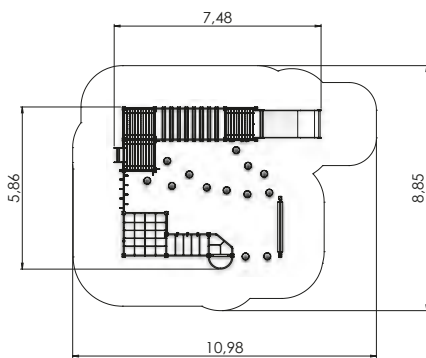
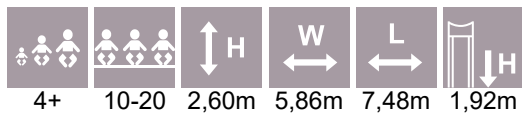
LM226 Play Centre ANDREAS



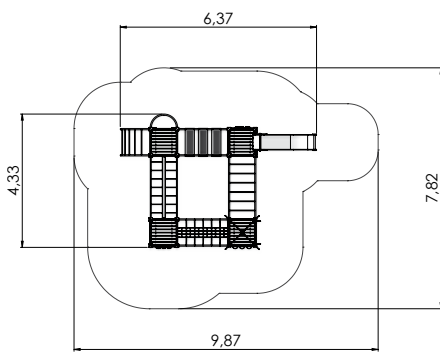
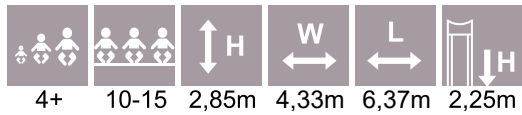
PLAY CENTRES



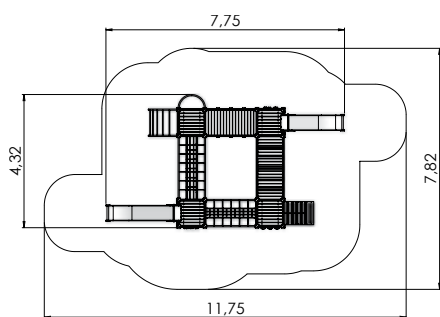
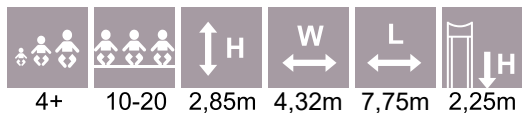
LM226-1 Play Centre EVELIN



LM229 Play Centre DENIZ



LM208-1 Play Centre ALEXANDRA



LM208 Play Centre ALEXANDER

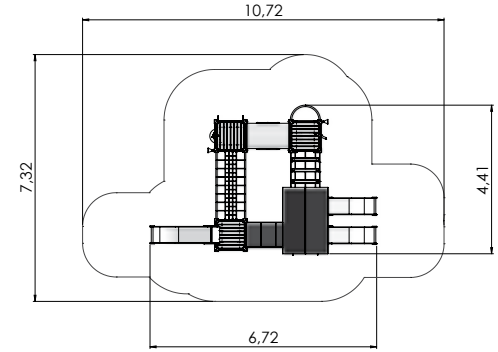
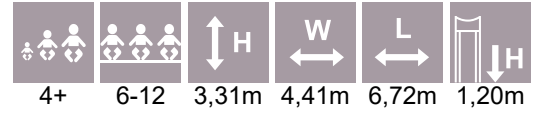


PLAY CENTRES

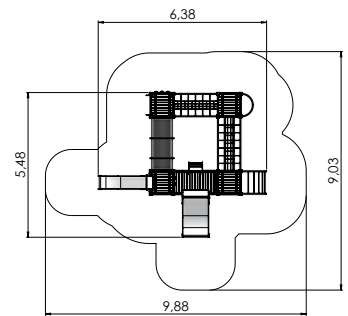
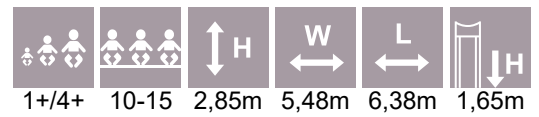
COLOR OPTIONS:



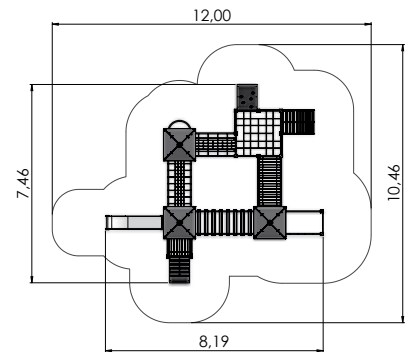
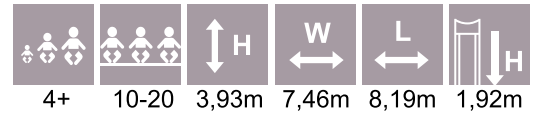
LM018 Play Centre RAUL



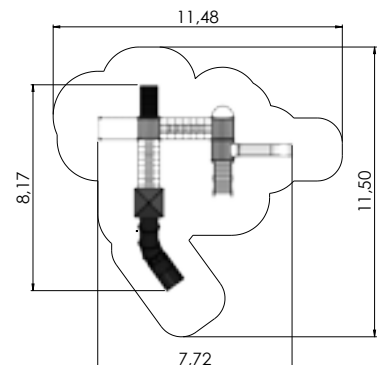
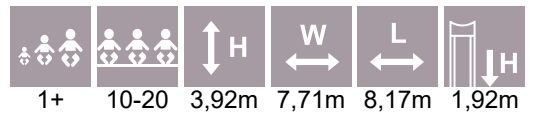
LM208-2 Play Centre ALBERTO



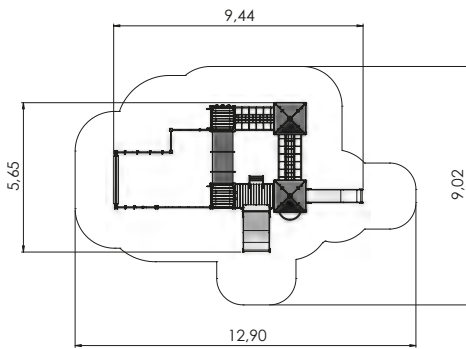
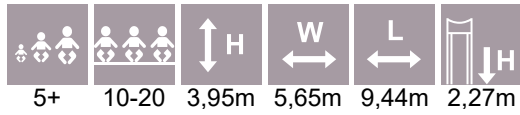
LM310 Play Centre ELISABETH



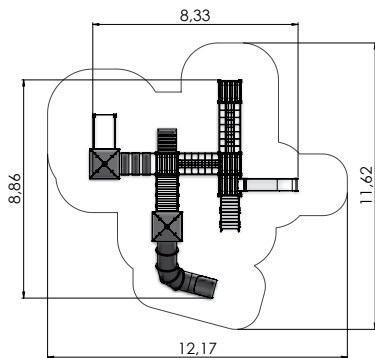
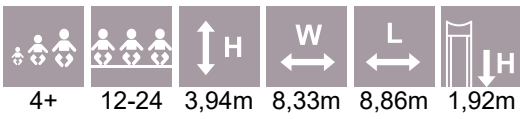
LM315 Play Centre SIMEON



PLAY CENTRES



LM232 Play Centre ARTHUR



LM300-7 Multi Activity Centre SEBASTIAN





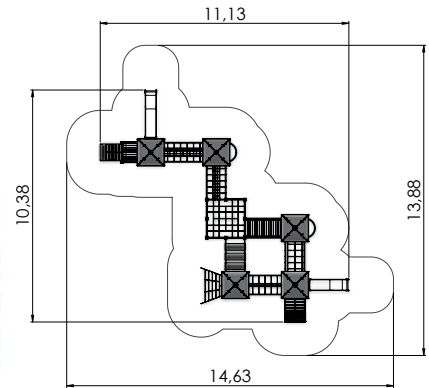
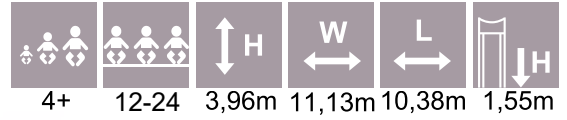


PLAY CENTRES

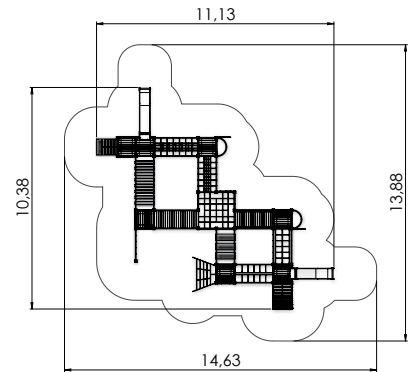
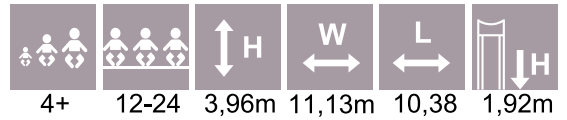
COLOR OPTIONS:



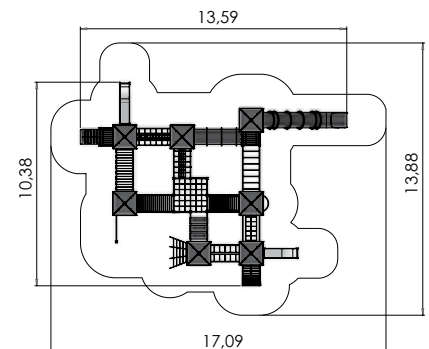
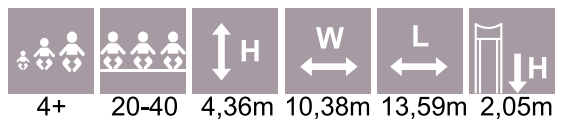
LM300-6
Multi Activity Centre OLD TOWN Mini



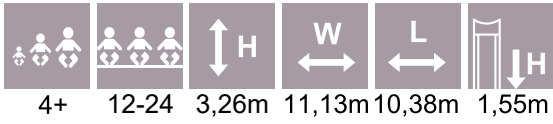
LM300-5
Multi Activity Centre OLD TOWN Midi



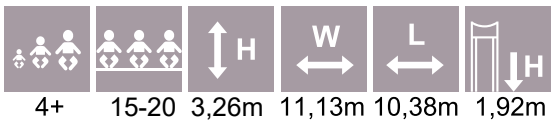
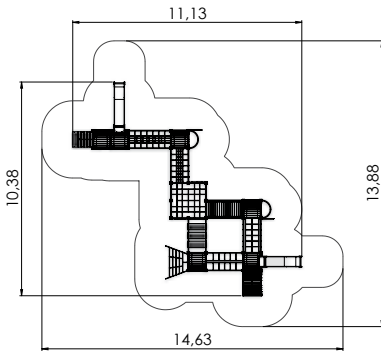
LM300-4
Multi Activity Centre OLD TOWN Maxi



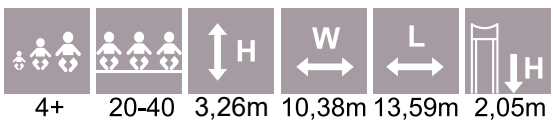
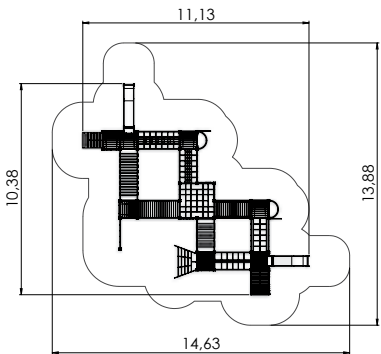
PLAY CENTRES



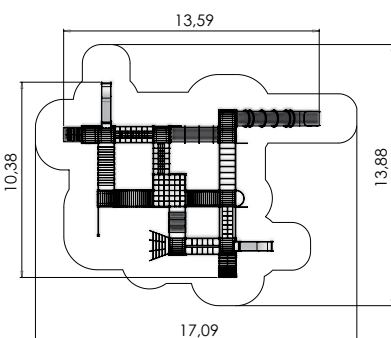
LM300-3
Multi Activity Centre HARBOUR Mini



LM300-2
Multi Activity Centre HARBOUR Midi



LM300-1
Multi Activity Centre HARBOUR Maxi

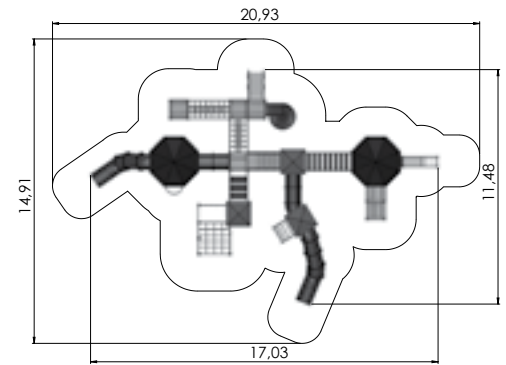


PLAY CENTRES

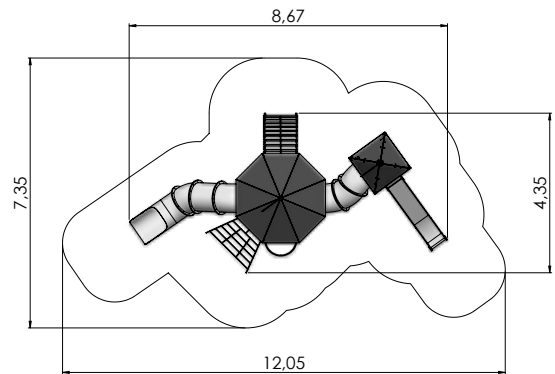
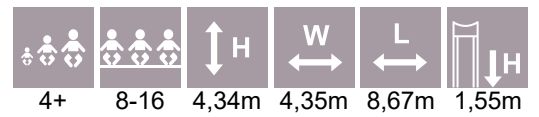
COLOR OPTIONS:



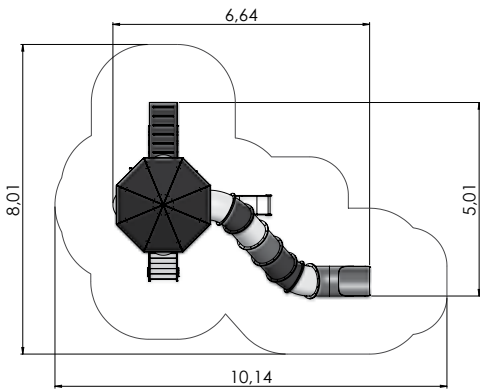
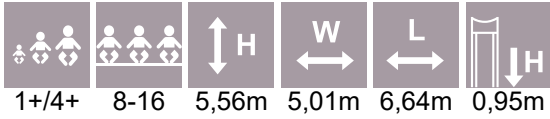
LM300 Play Centre FERDINAND



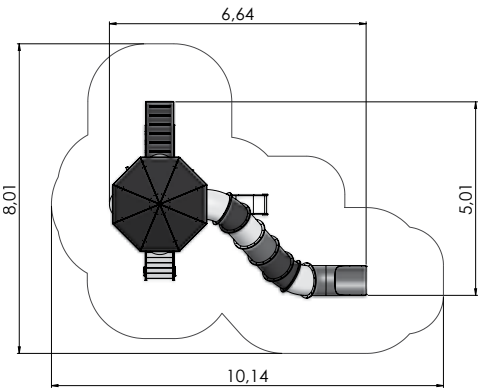
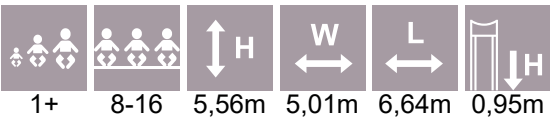
LM220-1 Play Centre WILHELM



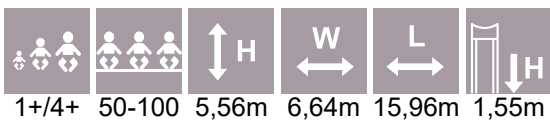
PLAY CENTRES



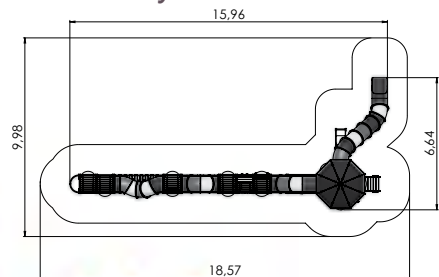
LM311-1 Play Centre MARGOT



LM311-1.1 Play Centre LOUIS



LM311 Multi Activity Centre KATARIINA

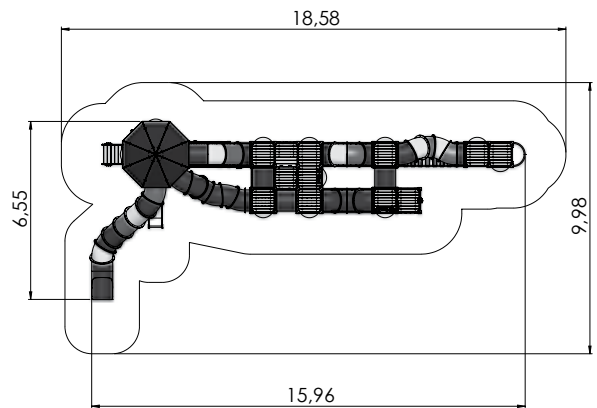
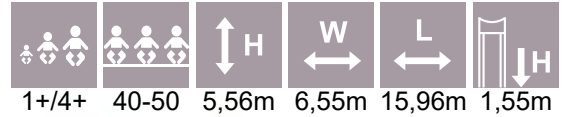


PLAY CENTRES

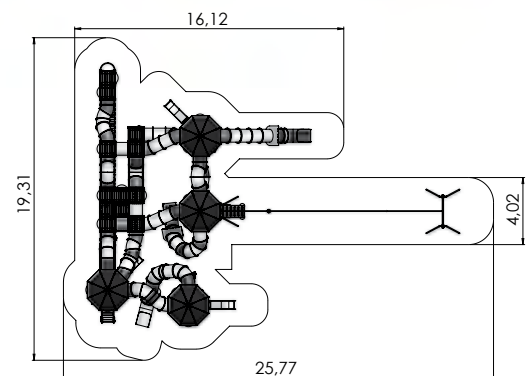
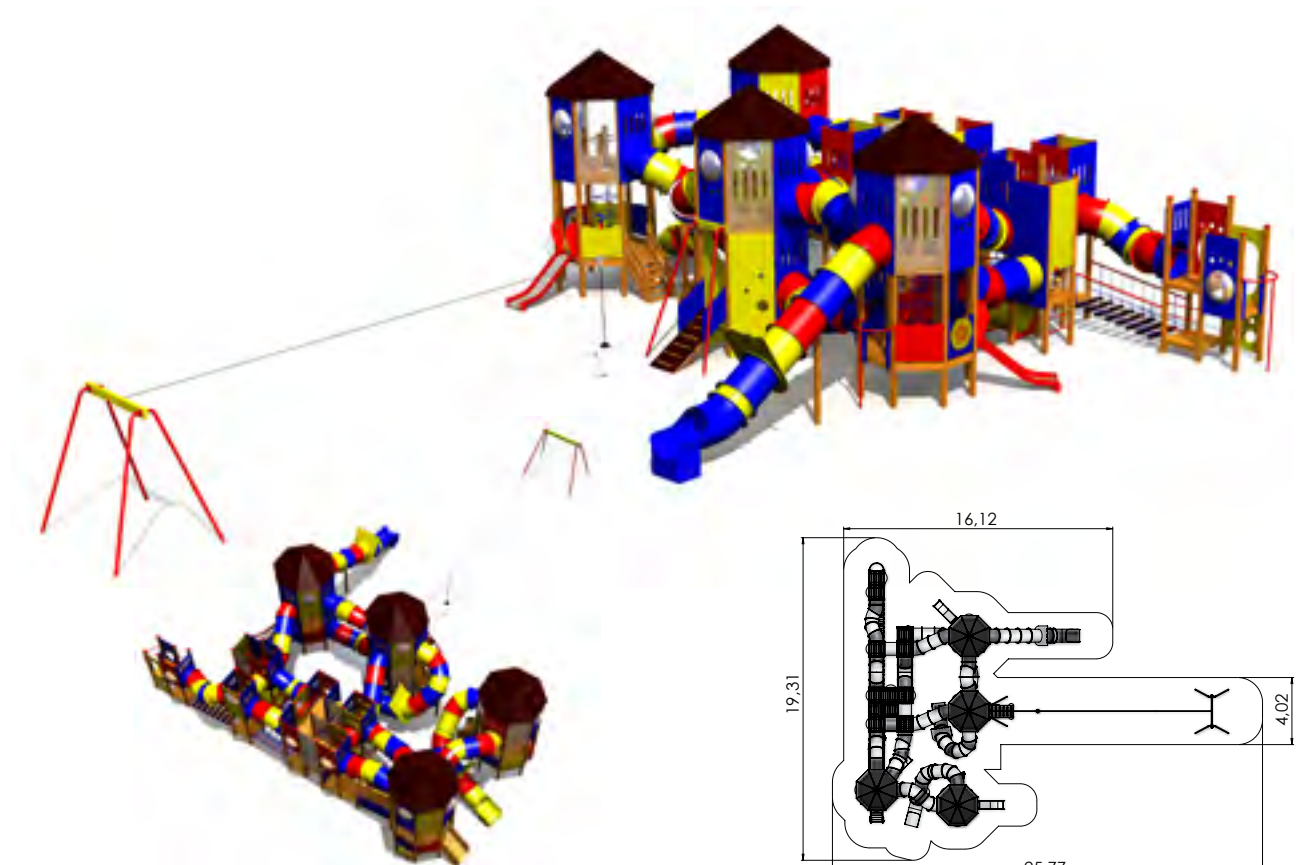
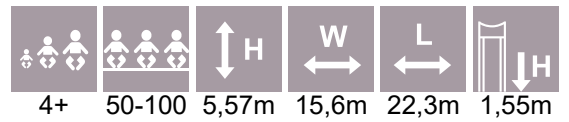
COLOR OPTIONS:



LM312 Multi Activity Centre PETER THE GREAT



LM313 Play Centre IVAN IV



CLIMBING FRAMES

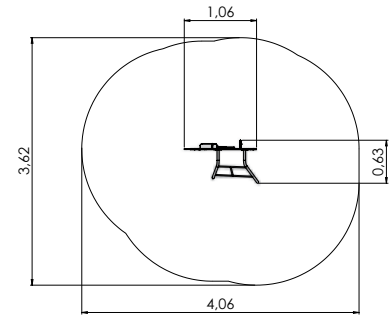
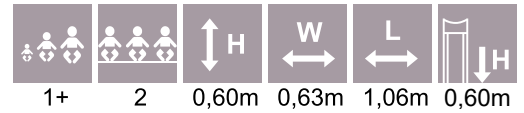
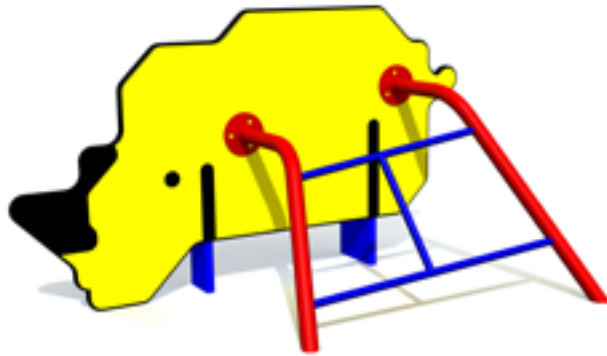


CLIMBING FRAMES

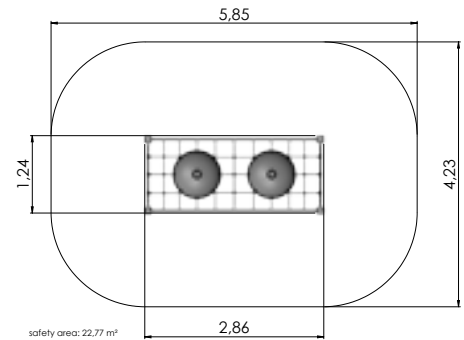
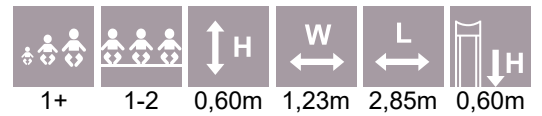
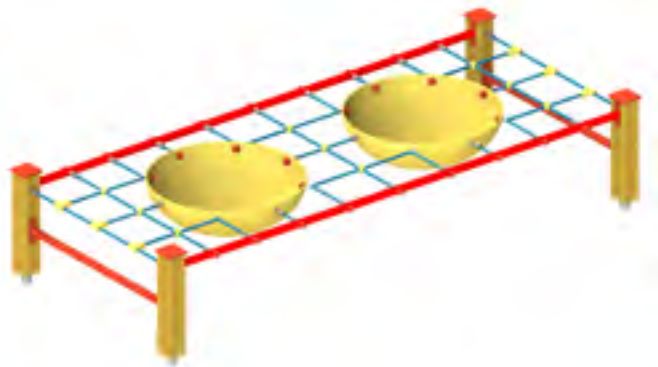
COLOR OPTIONS:



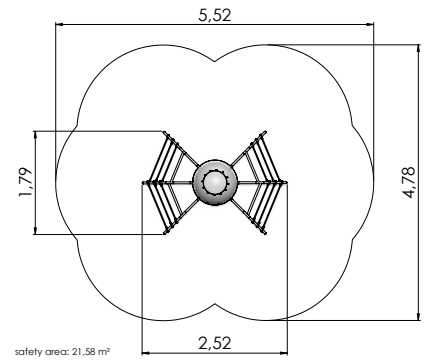
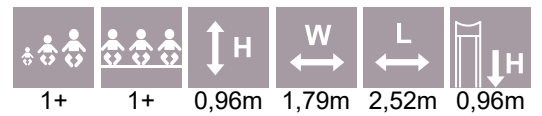
RS001 Climbing frame RHINO



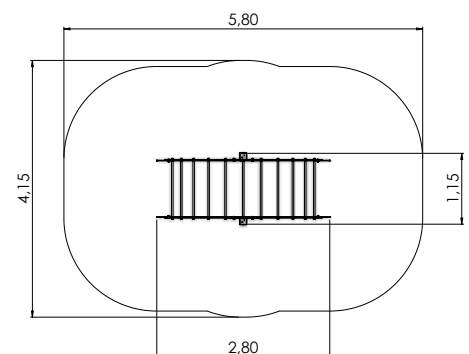
RS002 Climbing frame with bowls



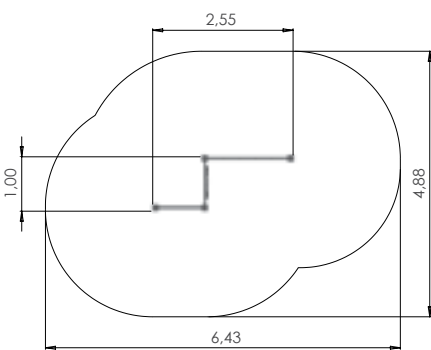
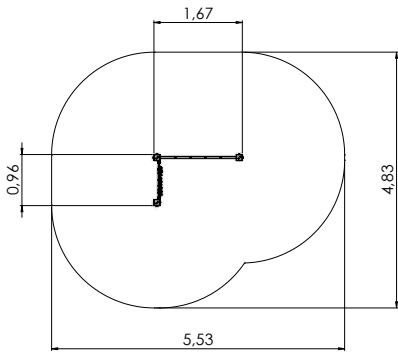
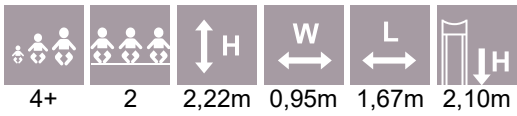
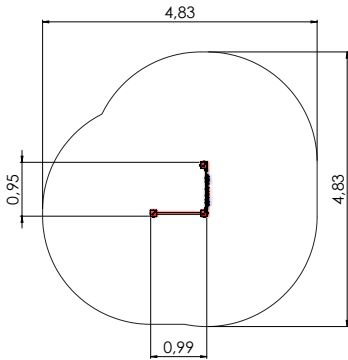
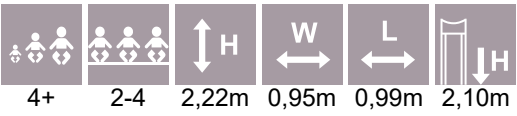
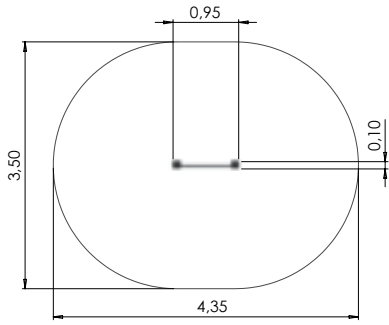
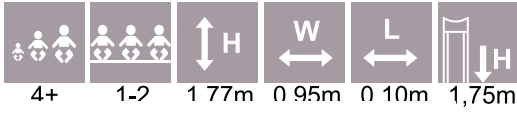
RS003 Climbing frame SPIDERNOVA



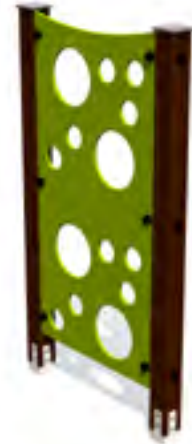
RS105 Climbing frame RAINBOW



CLIMBING FRAMES



RS101 CHEESE WALL



RS112-1 Climbing frame VIVO S



RS112-2 Climbing frame VIVO M



RS112 Three-part climbing frame VIVO

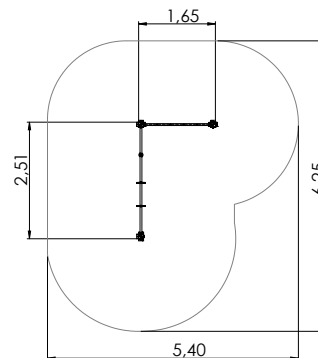
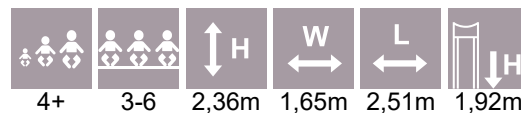


CLIMBING FRAMES

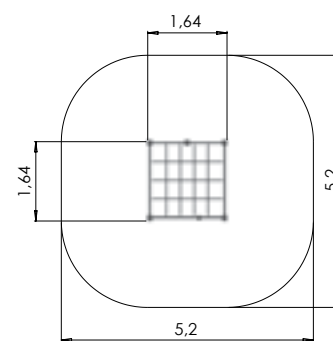
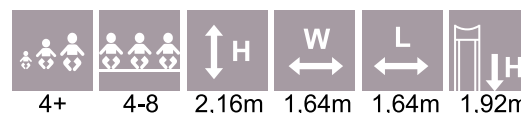
COLOR OPTIONS:



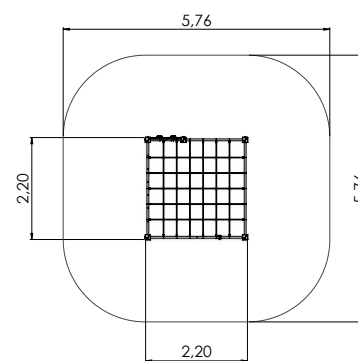
RS109 Climbing Frame START



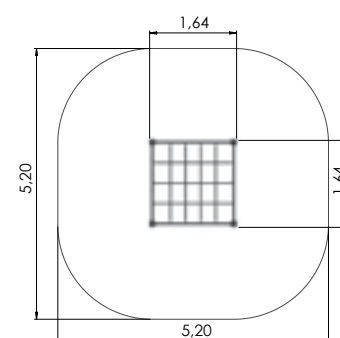
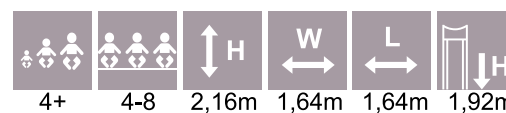
RS116 Climbing frame MONKEY



RS116-1 Climbing frame MONKEY BIG (plastic wall)



RS115 Climbing frame SPIDERWEB



CLIMBING FRAMES



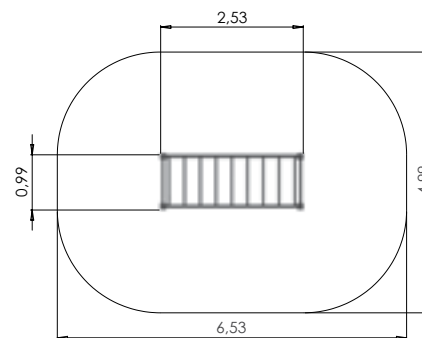
CLIMBING
FRAMES

CLIMBING FRAMES

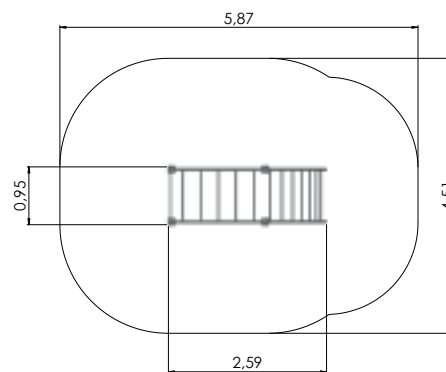
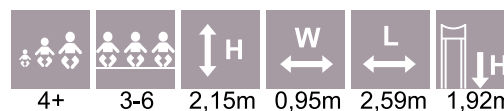
COLOR OPTIONS:



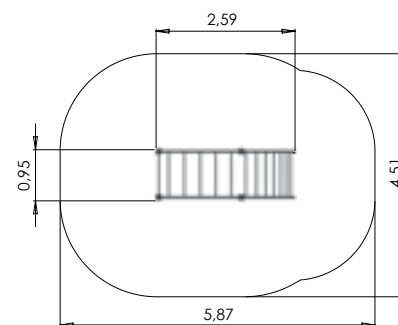
RS111 Climbing frame LADDER



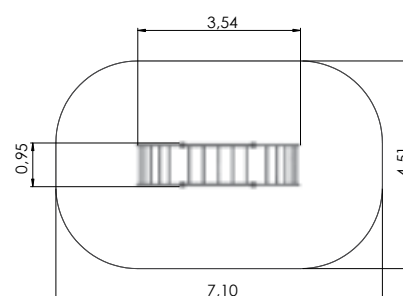
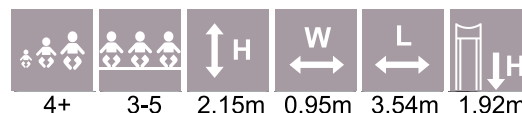
RS106 Climbing frame MICE



RS107 Climbing frame SPIDERS

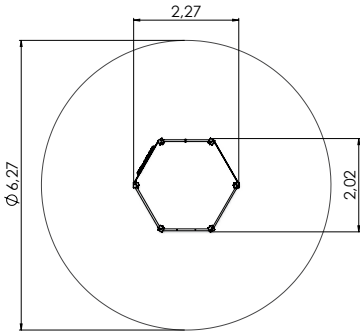


RS117 Climbing frame TWIST



CLIMBING FRAMES

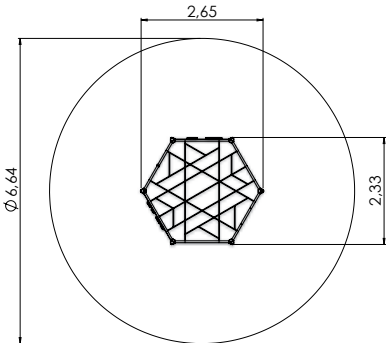
4+	6-12	2,42m	2,02m	2,27m	2,25m



RS110 Climbing frame HEXAGON



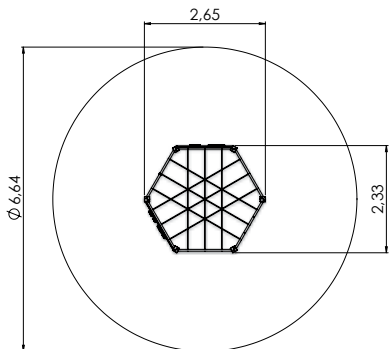
4+	6-12	2,41m	2,65m	2,63m	2,25m



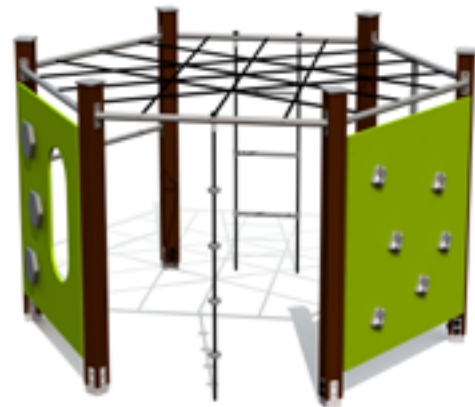
RS110-2 Climbing frame HEXAGON 2



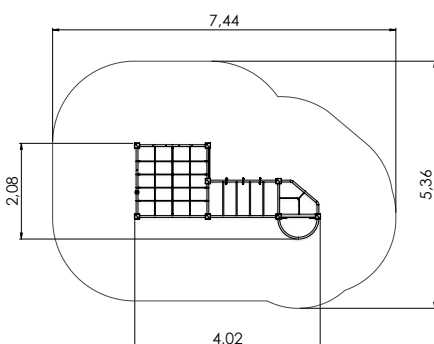
4+	6-12	1,70m	2,33m	2,65m	1,50m



RS110-2 L Climbing frame HEXAGON 2 (h.1,70m)



4+	4-8	2,16m	2,08m	4,02m	1,92m



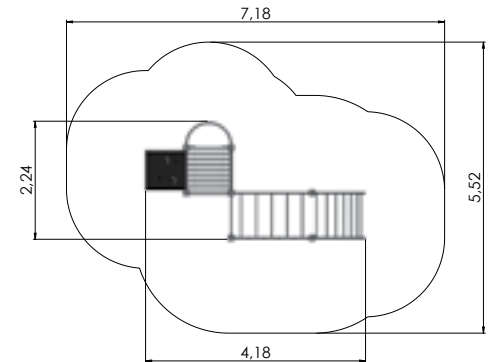
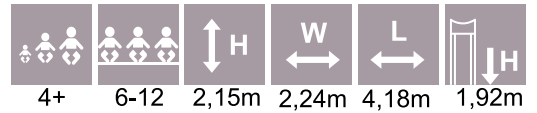
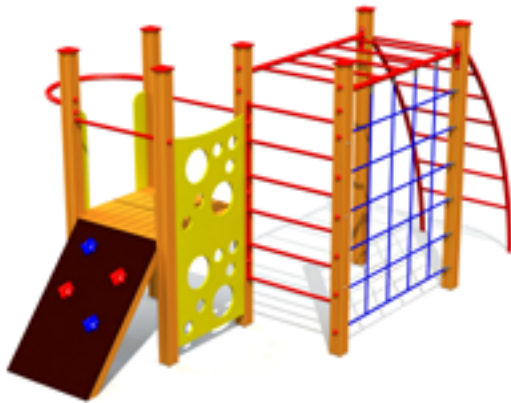
RS123 Climbing frame MACACO



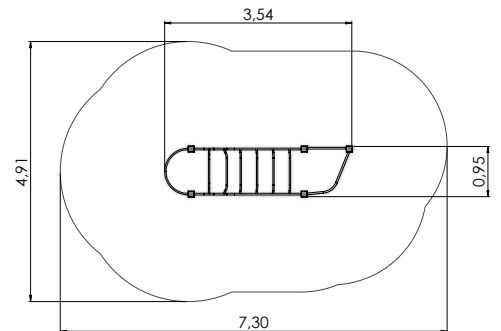
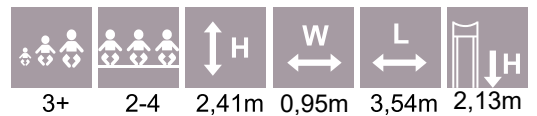
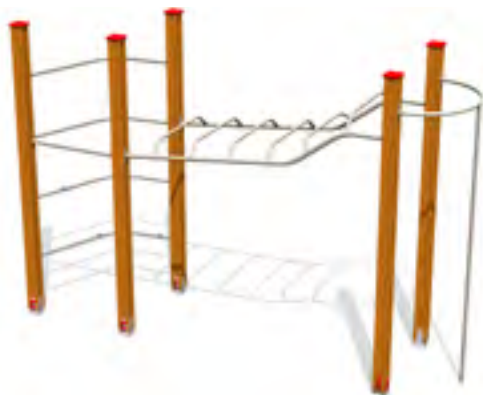
CLIMBING FRAMES



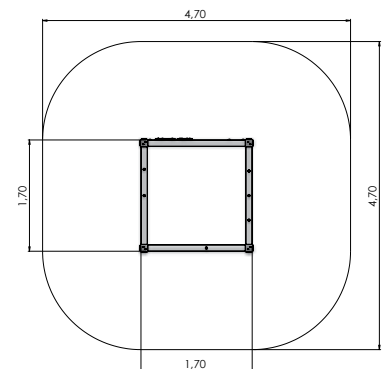
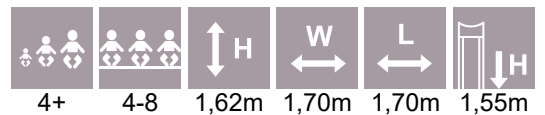
RS108 Climbing frame ATHLETES



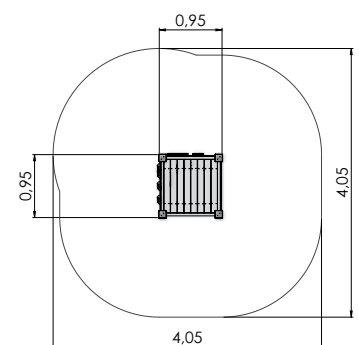
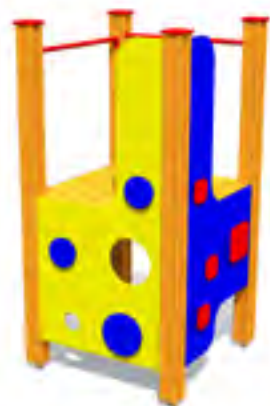
RS122 Climbing frame SQUIRREL



RS124 Climbing frame TETRA

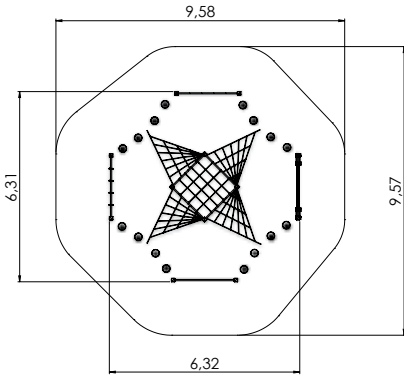


RS212 Climbing frame CAT

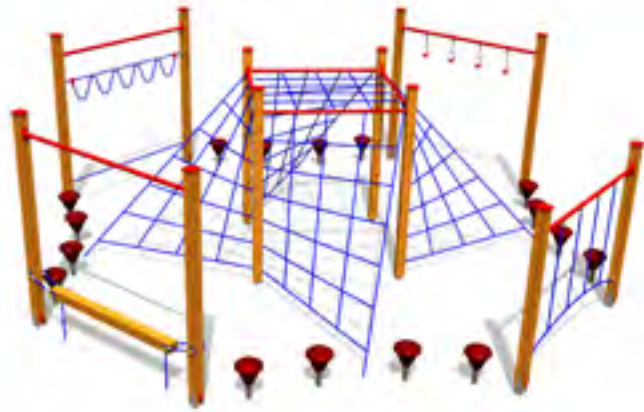


CLIMBING FRAMES

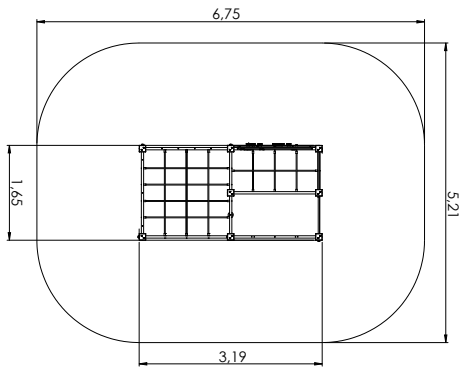
4+	7-14	2,15m	6,31m	6,32m	1,92m



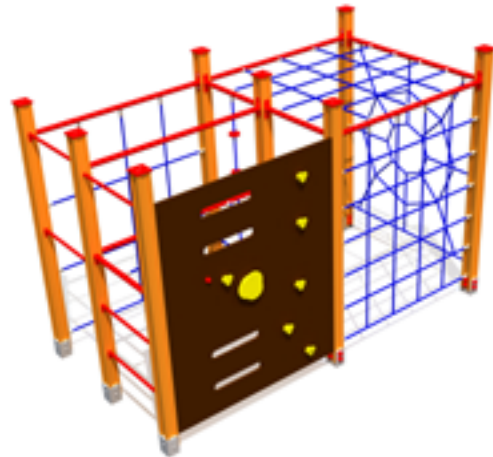
RS128 Climbing complex CIRCLE



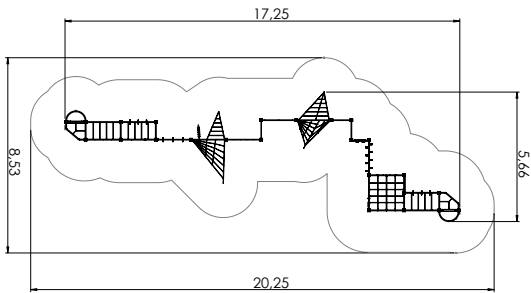
4+	1-12	2,16m	1,63m	3,17m	1,93m



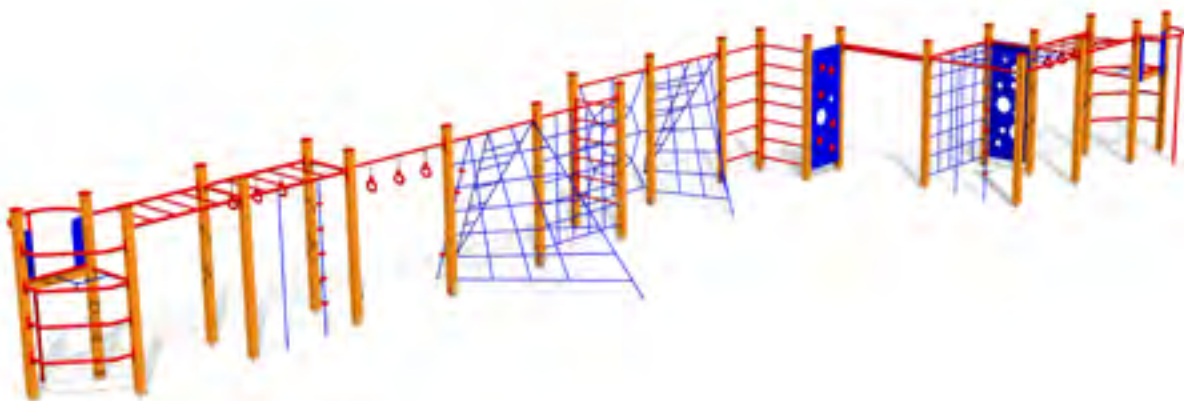
RS129 Climbing complex IGUANA



4+	1+	2,16m	5,65m	17,27m	1,93m



RS130 Climbing complex BOA

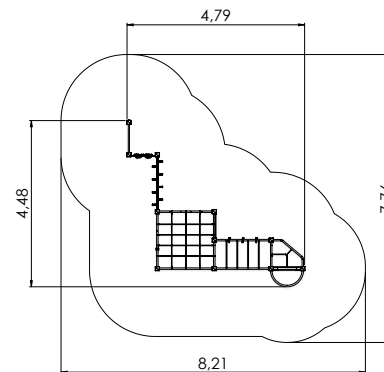
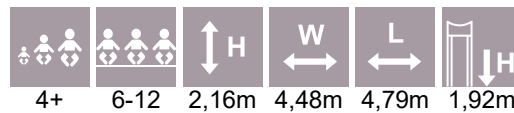
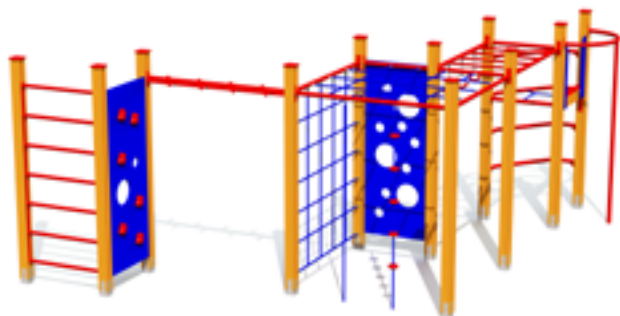


CLIMBING FRAMES

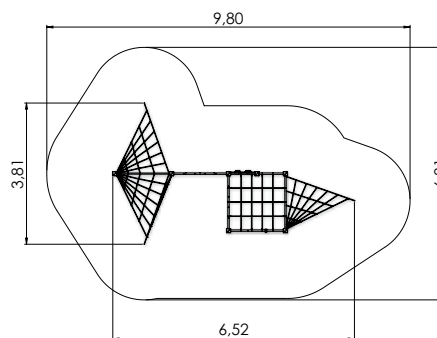
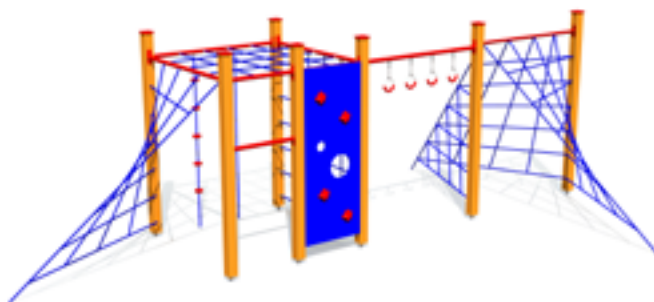
COLOR OPTIONS:



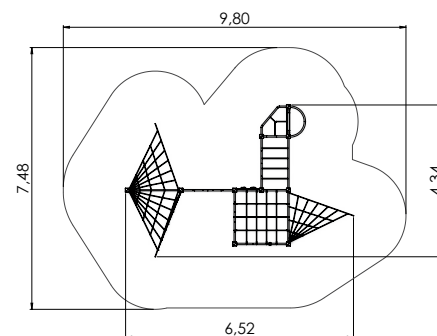
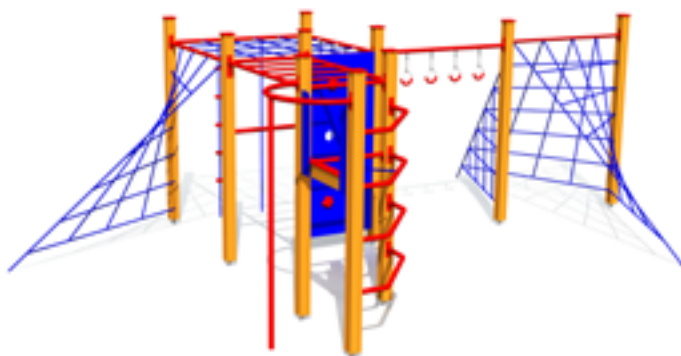
RS127 Climbing Frame KOALA



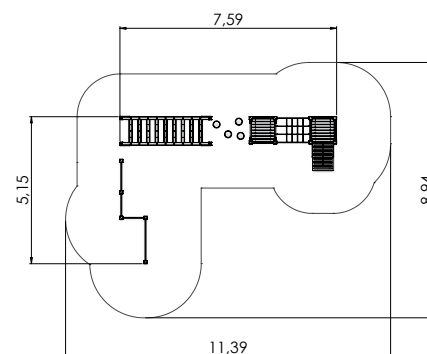
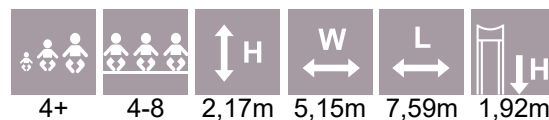
RS125S Climbing frame GIBBON S



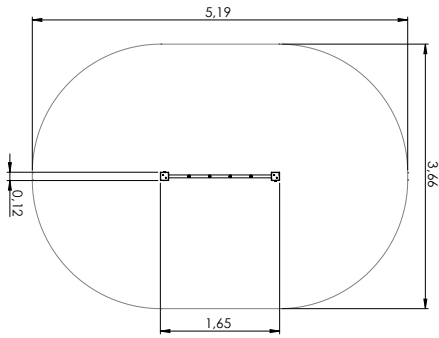
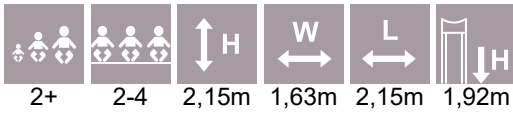
RS125L Climbing frame GIBBON L



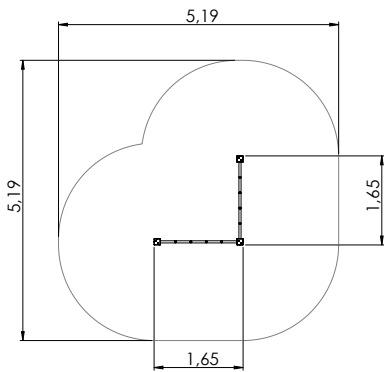
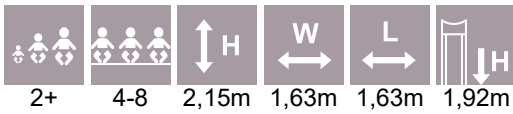
RS213 Climbing complex GECKO



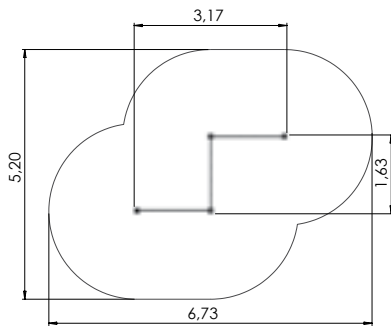
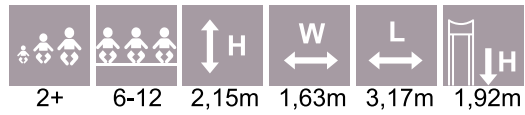
CLIMBING FRAMES



RS102 Climbing net, 1 section



RS103 Climbing net, 2 sections



RS100 Climbing net, 3 sections



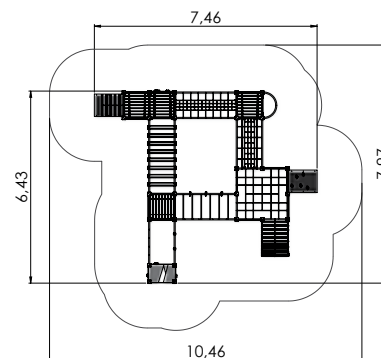
CLIMBING FRAMES

COLOR OPTIONS:



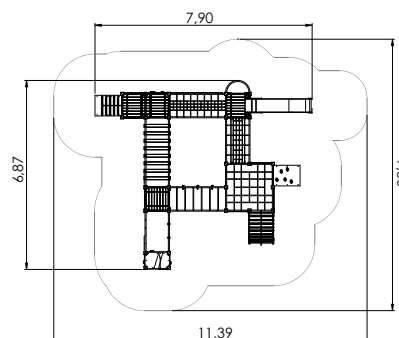
RS310
Play Centre GORILLA

4+	10-20	2,86m	6,43m	7,46m	1,92m



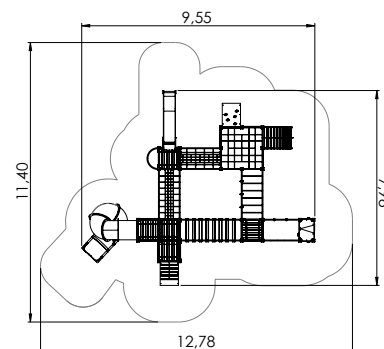
RS310-1
Play Centre GORILLA with slide

4+	1-24	2,86m	6,87m	7,89m	1,92m



RS310-2
Play Centre GORILLA with tube slide

4+	10-20	3,60m	7,49m	9,55m	2,30m



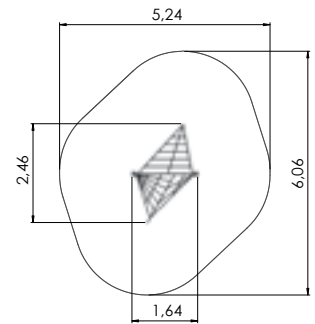
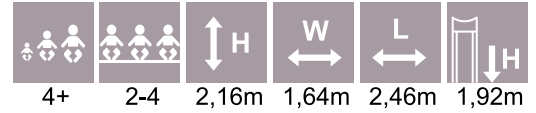


CLIMBING FRAMES

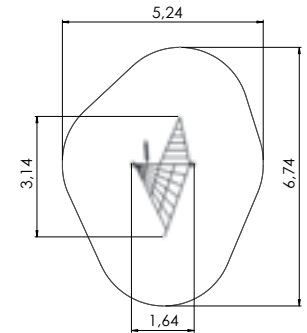
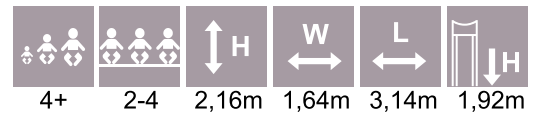
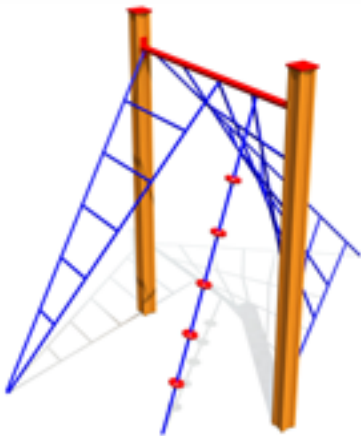
COLOR OPTIONS:



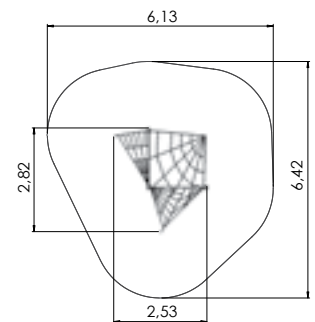
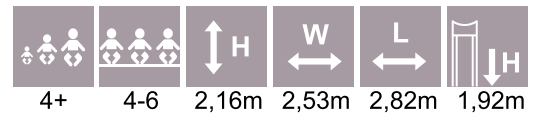
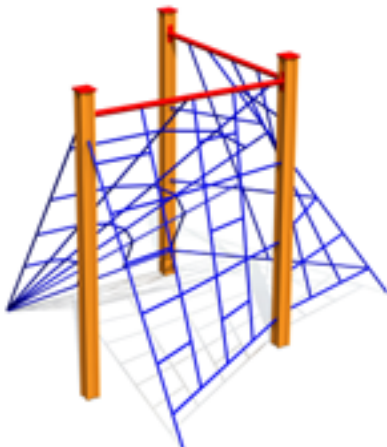
RS118 Climbing frame LYRA



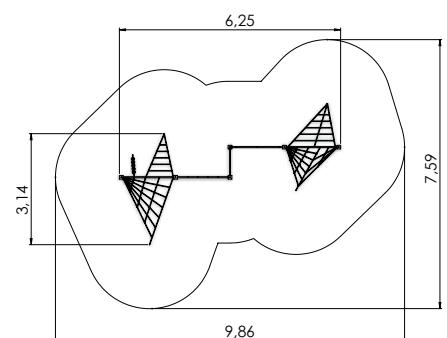
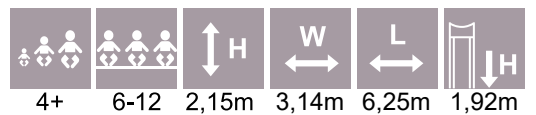
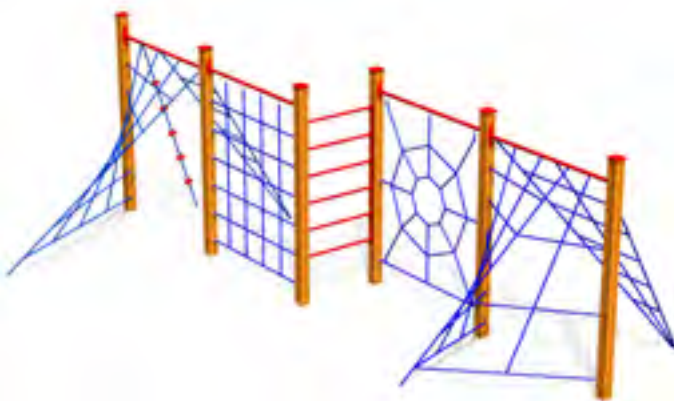
RS119 Climbing frame HYDRA



RS120 Climbing frame TRIANGULUM

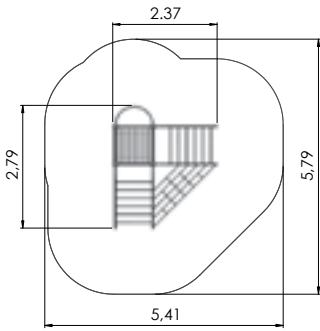


RS121 Climbing frame DRACO

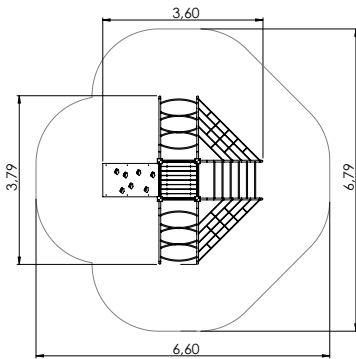


CLIMBING FRAMES

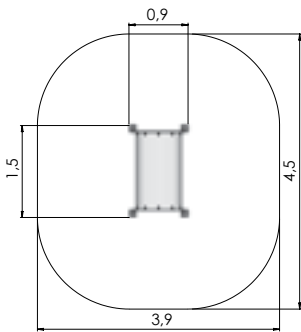
RS210 Climbing frame OCTOPUS



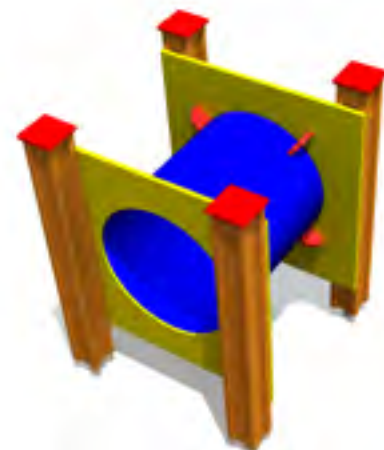
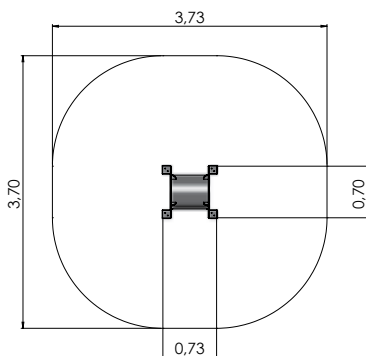
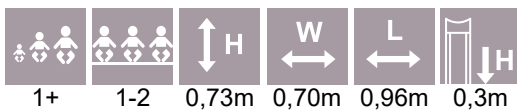
RS211 Climbing frame CRAB



RS201 Tube FOXHOLE



RS201 S Tube FOXHOLE S

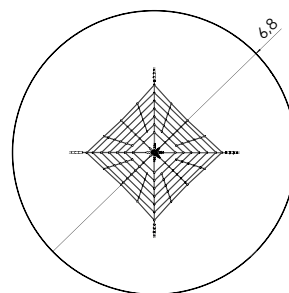
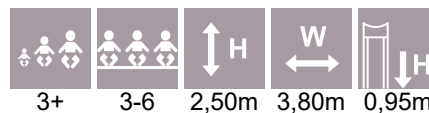


CLIMBING FRAMES

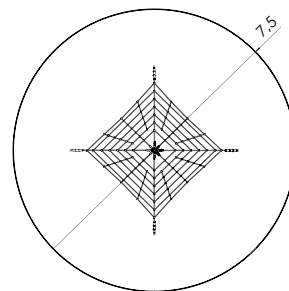
COLOR OPTIONS:



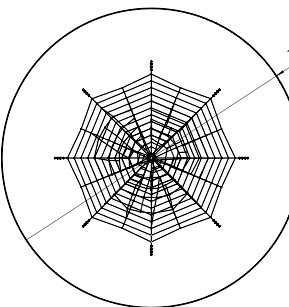
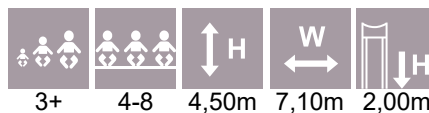
0100250 Climbing Pyramid h. 2,5m



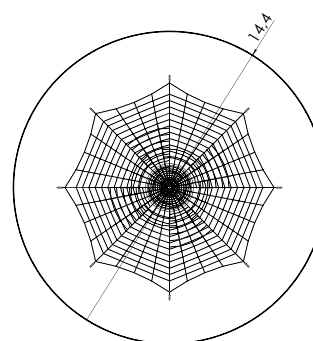
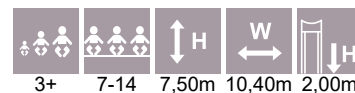
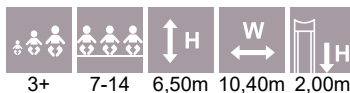
0100300 Climbing Pyramid h. 3m



0100450 Climbing Pyramid h. 4,5m



0100650 Climbing pyramid h.6,5m
0100750 Climbing pyramid h.7,5m



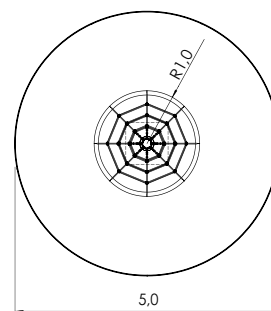
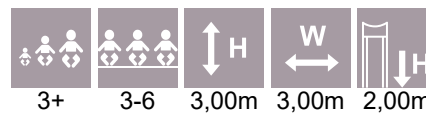
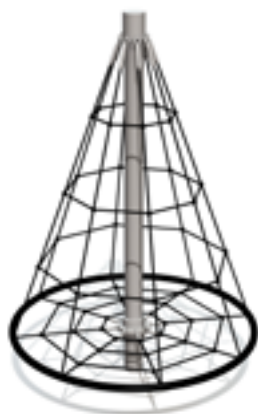


CLIMBING FRAMES

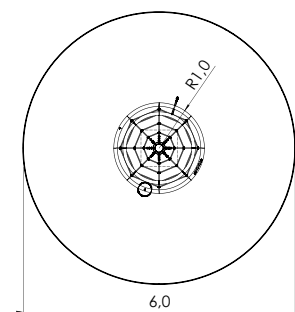
COLOR OPTIONS:



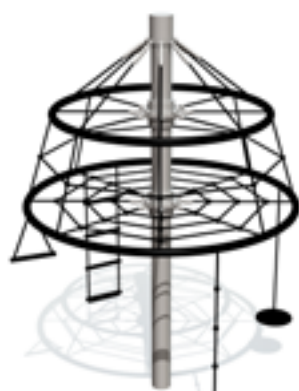
101300 Revolving climbing tower A PLUS



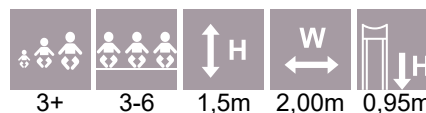
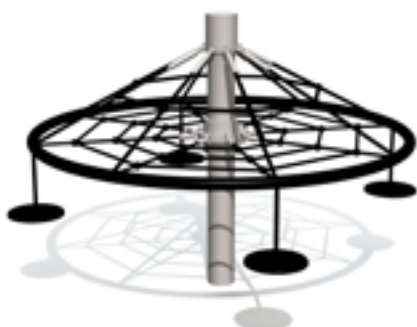
0102 Revolving climbing tower B



0109 Revolving climbing tower C



0108 Revolving climbing tower P



SWINGS

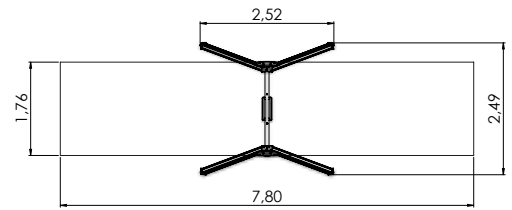
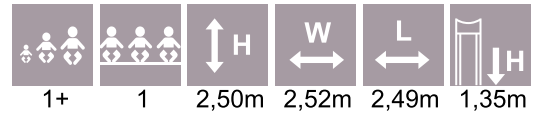


SWINGS

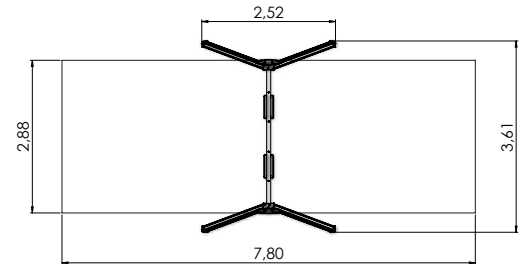
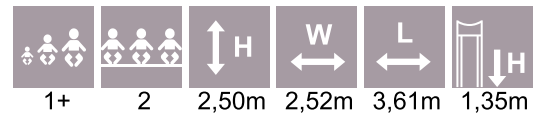
COLOR OPTIONS:



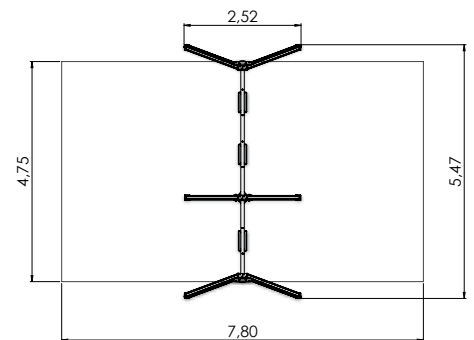
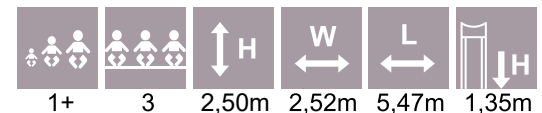
K005
Swing BELL-FLOWER 1 place
(without seat and fittings)



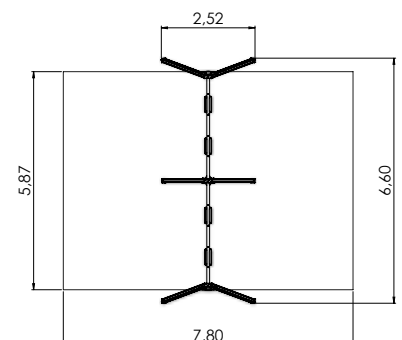
K002
Swing BELL-FLOWER 2 places
(without seats and fittings)



K115
Swing BELL-FLOWER 3 places (1+2)
(without seats and fittings)



K008
Swing BELL-FLOWER 4 places
(without seats and fittings)



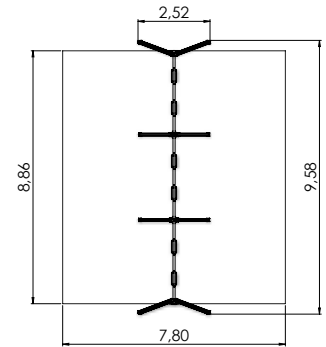


SWINGS

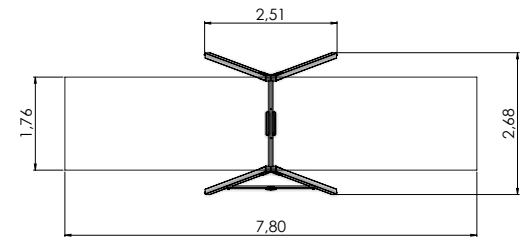
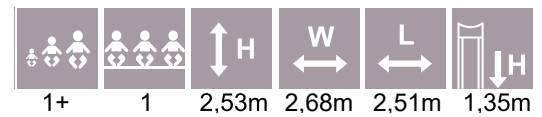
COLOR OPTIONS:



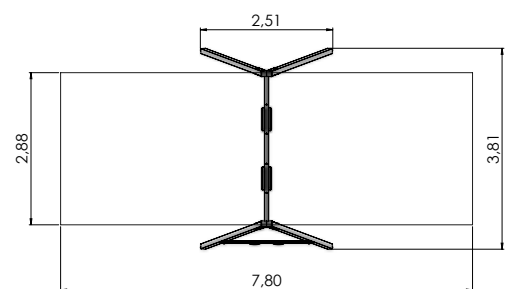
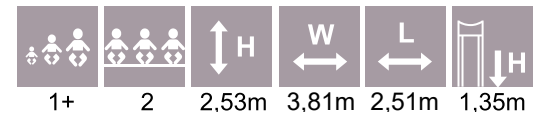
K009
Swing *BELL-FLOWER* 6 places
(without seats and fittings)



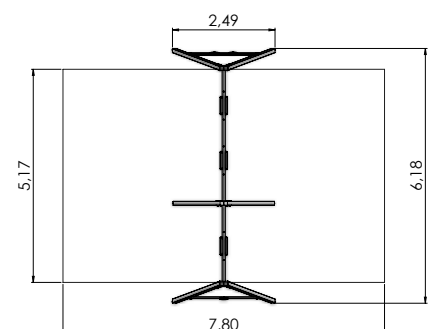
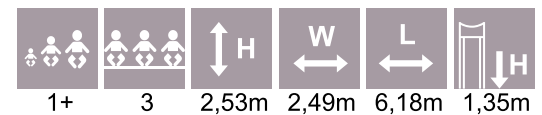
K003 Swing *BABY BIRD* 1 place
(without seat and fittings)



K001 Swing *BABY BIRD* 2 places
(without seats and fittings)



K116 Swing *BABY-BIRD* 3 places
(without seats and fittings)



SWINGS



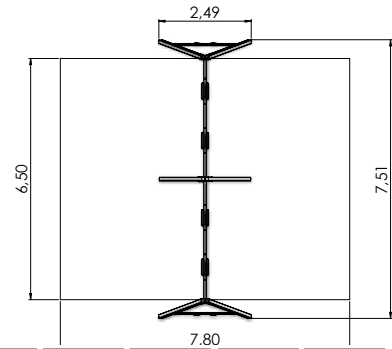
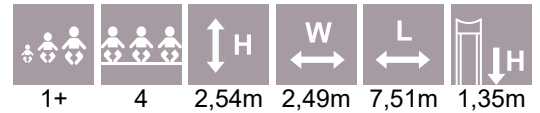
SWINGS

SWINGS

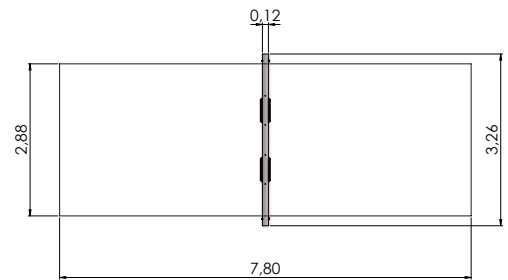
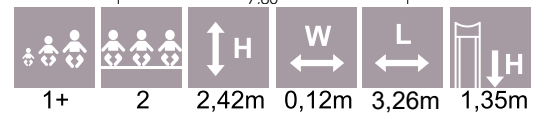
COLOR OPTIONS:



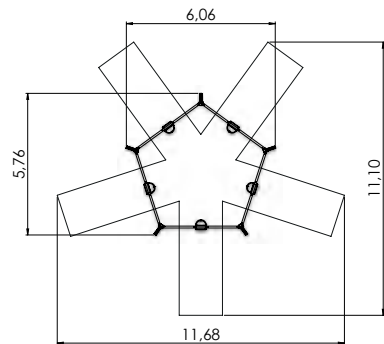
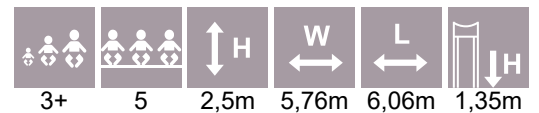
K117 Swing BABY BIRD 4 places
(without seats and fittings)



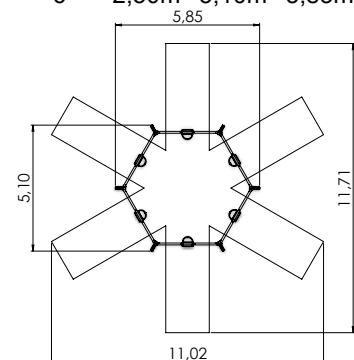
K112 Swing CONDOR 2 places
(without seats and fittings)

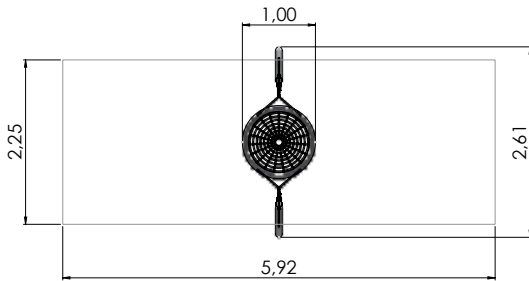


K223 Circle swing 5 places

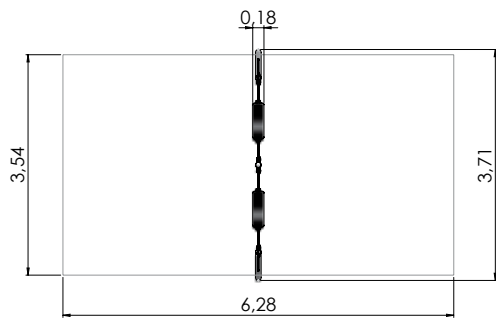


K222 Circle swing 6 places

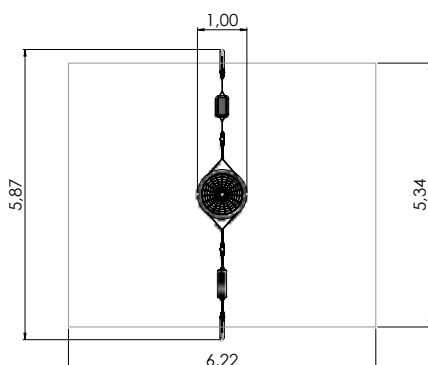




K113 Swing *BABY SNAIL* (without seat)



K113-3 Swing *BABY SNAIL* 2 seats (without seats)



K113-5 Swing *BABY SNAIL* 3 seats (without seats)

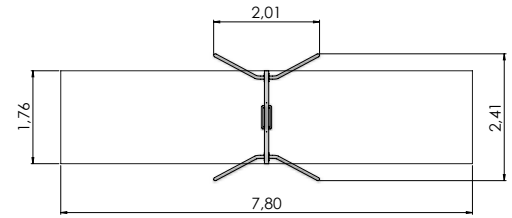
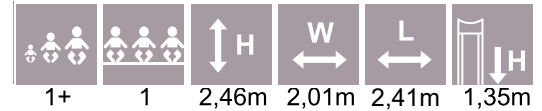


SWINGS

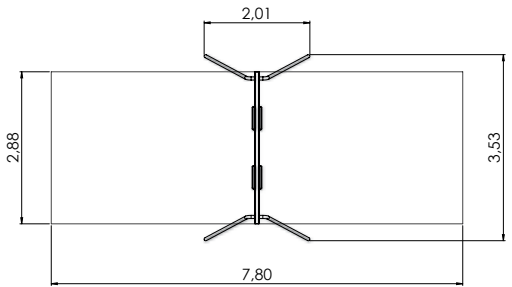
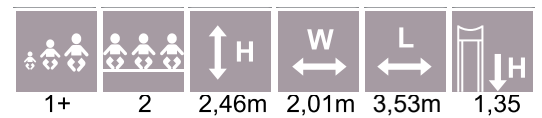
COLOR OPTIONS:



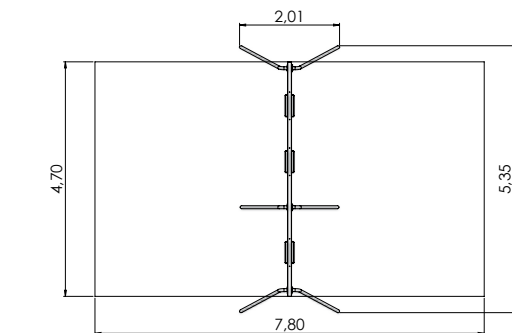
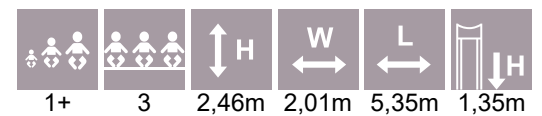
K110 Swing EAGLE 1 place
(without seat and fittings)



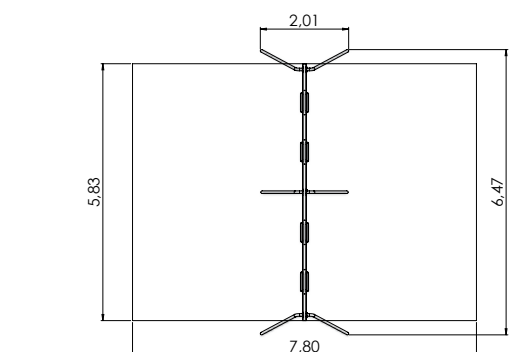
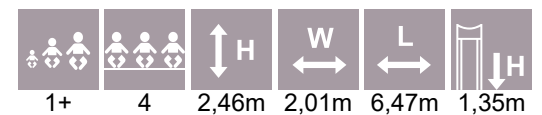
K111 Swing EAGLE 2 places
(without seats and fittings)



K220 Swing EAGLE 3 places
(without seats and fittings)



K221 Swing EAGLE 4 places
(without seats and fittings)





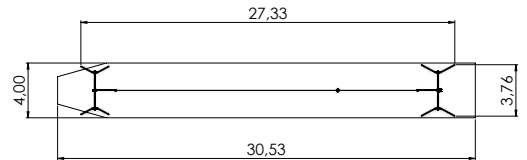
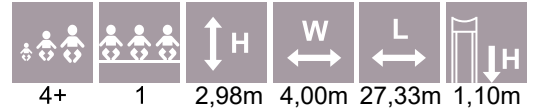
SWINGS

SWINGS

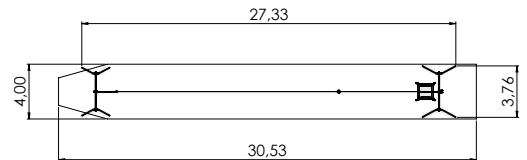
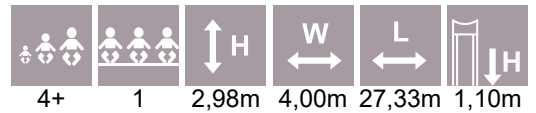
COLOR OPTIONS:



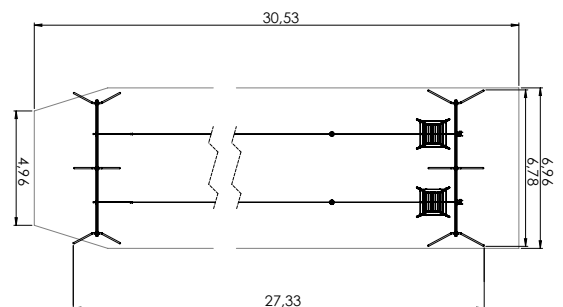
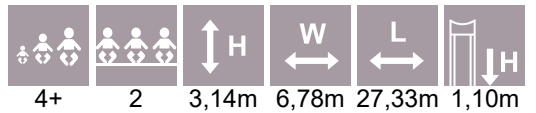
SPR100 Tarzan`s track



SPR100-1 Tarzan`s track with platform



SPR100-2 Tarzan`s track with platform, double



SWINGS



SWINGS

SWINGS

COLOR OPTIONS:



Summer



Forest pistachio



Forest fuchia

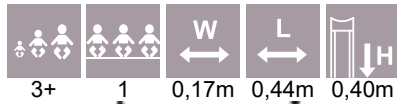


Forest red

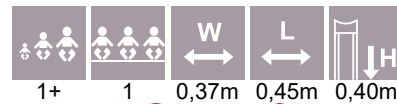


Autumn

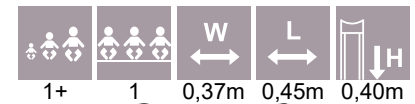
KRK2 Swing set with seat
2 chains, 2 fixings



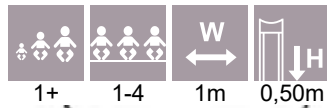
KRK1 Baby cradle seat
2 chains, 2 fixings



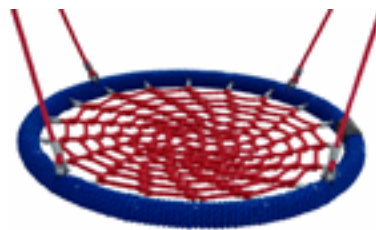
KRK1BL Baby cradle seat
2 chains, 2 fixings (black)



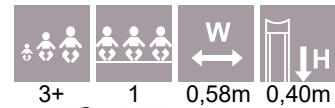
KRK11BL Rope swing set
BIRD NEST d,1,0



KRK15 Rope swing set
BIRD NEST d,1,2m



KRK14 Tyre swing set,
2 chains 2 fittings



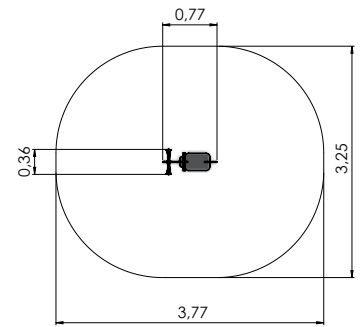
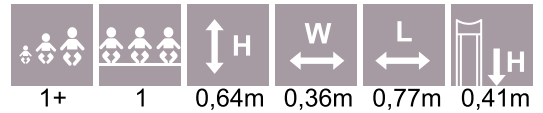
SPRING SWINGS AND SEE-SAWS



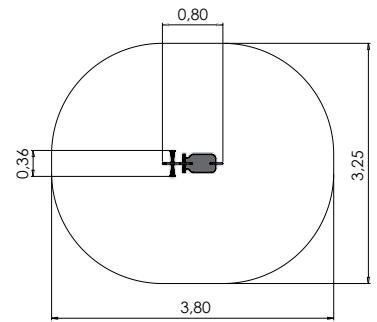
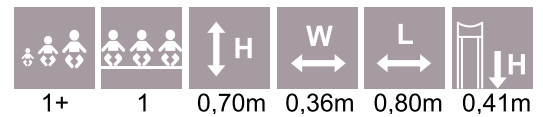
SPRING
SWINGS
SEE-SAWS

SPRING SWINGS AND SEE-SAWS

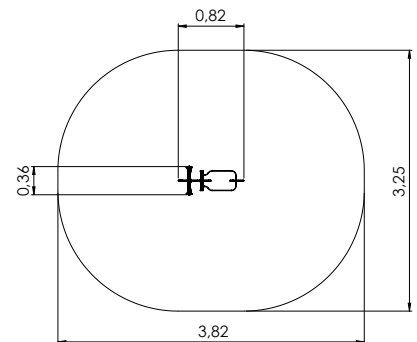
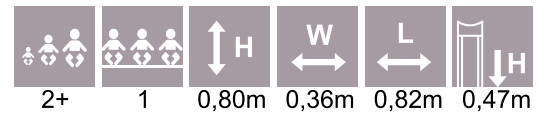
VLO36 Spring swing KITTY



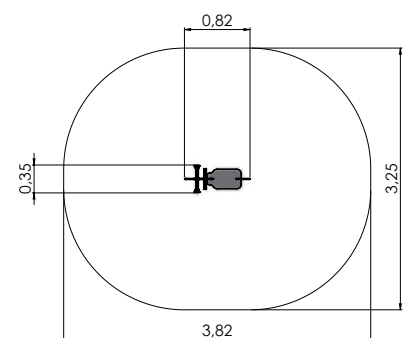
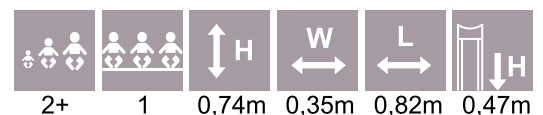
VLO37 Spring swing TIBBY



VLO33 Spring swing BRUNO

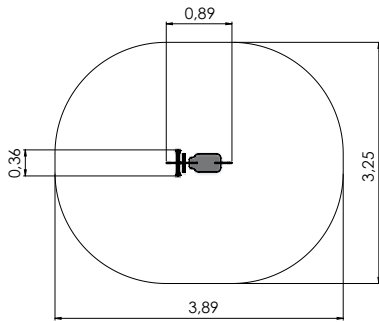


VLO34 Spring swing ALEX



SPRING SWINGS AND SEE-SAWS

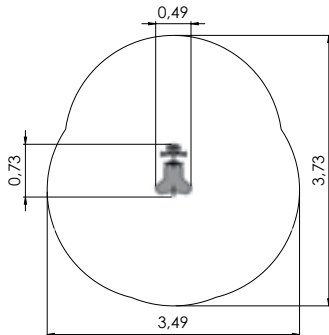
2+	1	0,80m	0,36m	0,89m	0,47m



VLO35 Spring swing MOBI



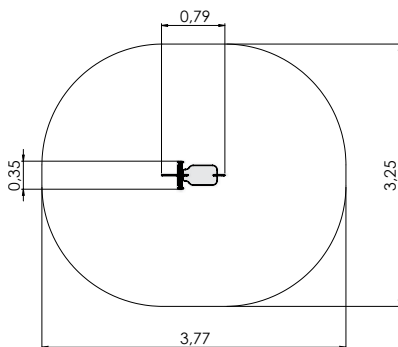
2+	1	0,64m	0,49m	0,73m	0,53m



VL039 Spring swing WILBUR



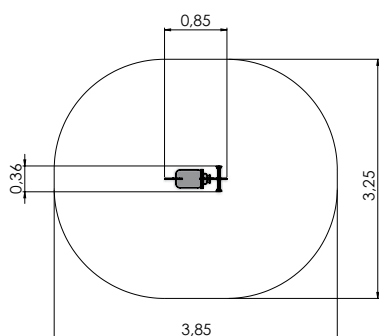
2+	1	0,66m	0,35m	0,79m	0,41m



VL040 Torsion spring swing MAX



2+	1	0,75m	0,36m	0,85m	0,53m

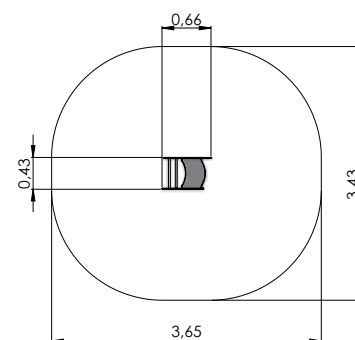
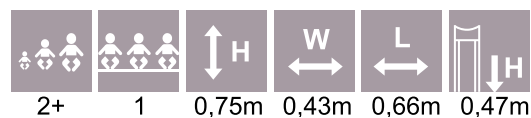
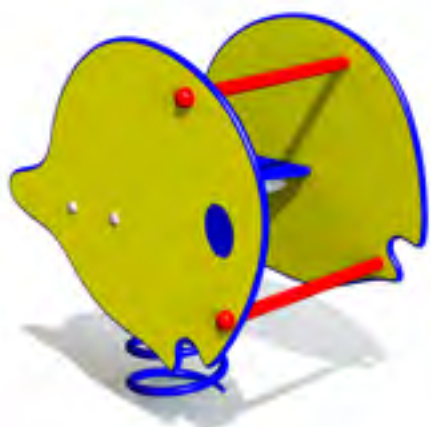


VL049 Spring swing SPEEDY

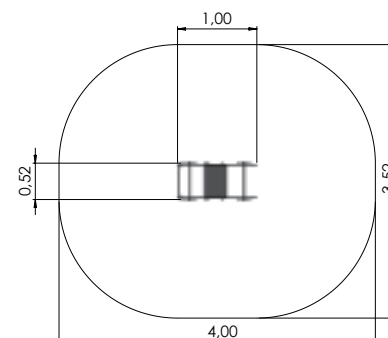
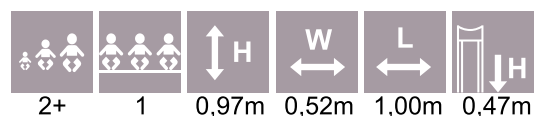


SPRING SWINGS AND SEE-SAWS

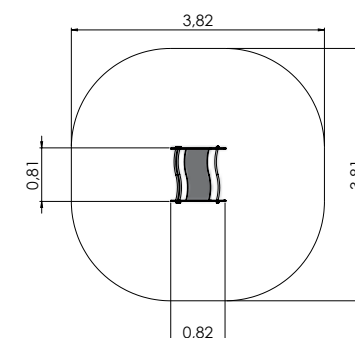
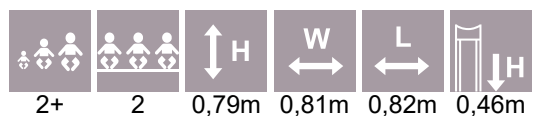
VL038 Spring swing CORA



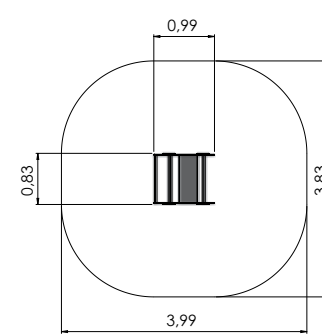
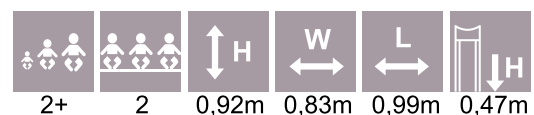
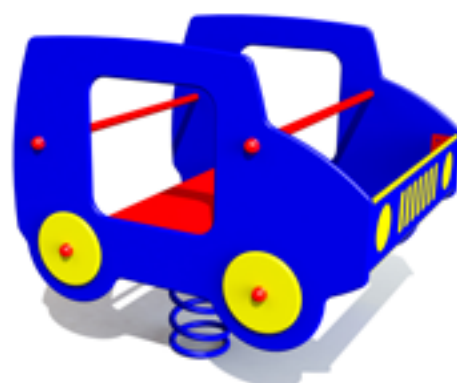
VLI45 Spring swing BEETLE



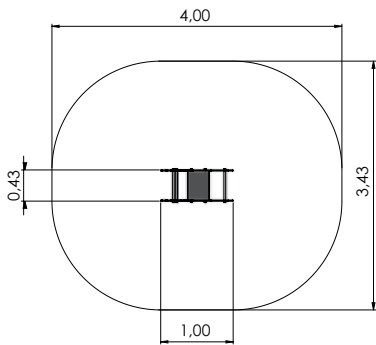
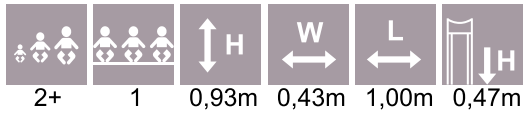
VLI50 MF Spring swing DOCKY



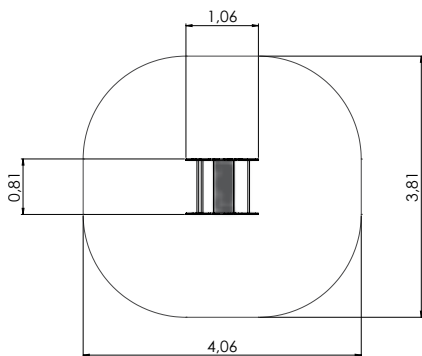
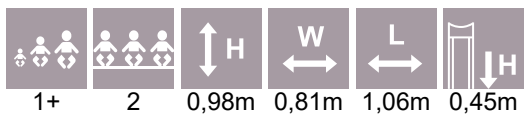
VLI46 Spring swing HUMMER



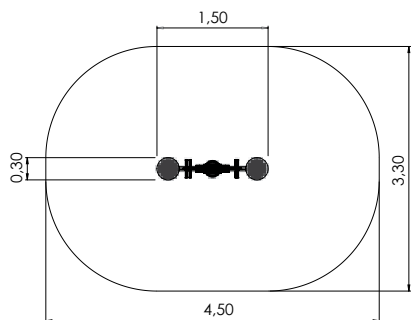
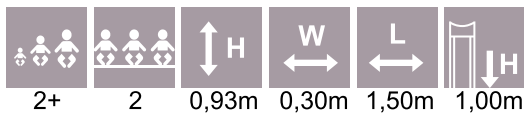
SPRING SWINGS AND SEE-SAWS



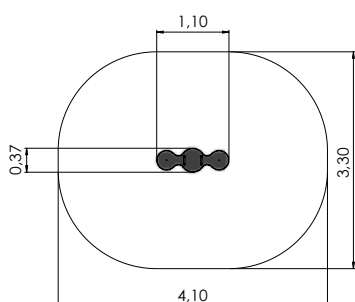
VLI47 Spring swing PONY



VLI51 Spring swing PEGASUS



VLI48 See-saw CASPER

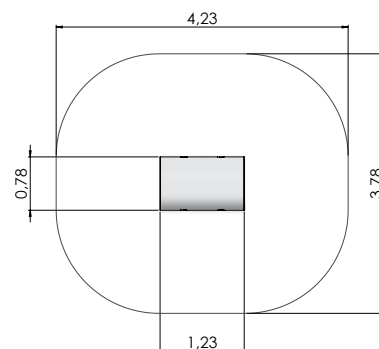
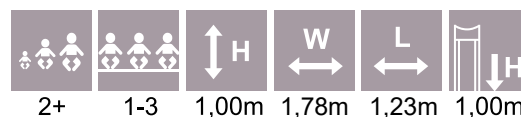


VLI49 Spring swing DUO

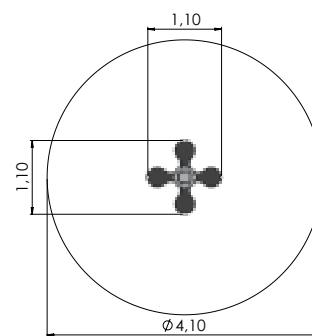
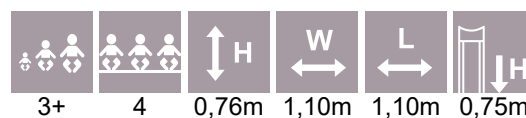


SPRING SWINGS AND SEE-SAWS

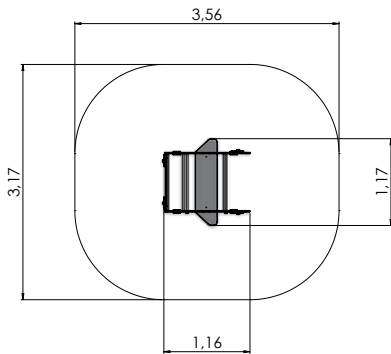
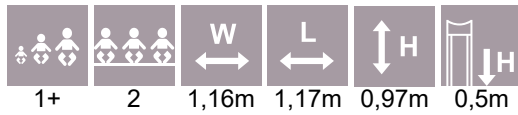
VL9008 TUBE with springs TUBO



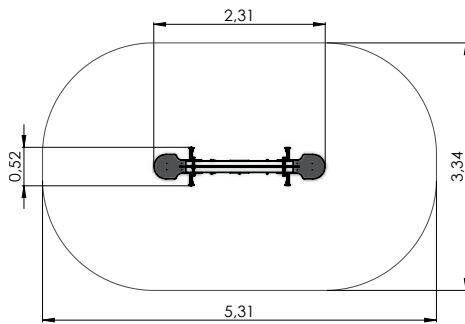
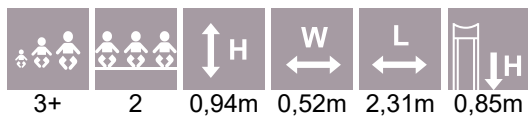
VLI44 Spring swing FLOWER (4-seats)



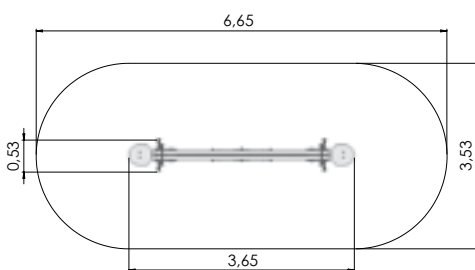
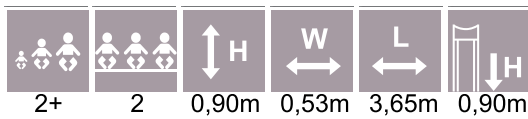
SPRING SWINGS AND SEE-SAWS



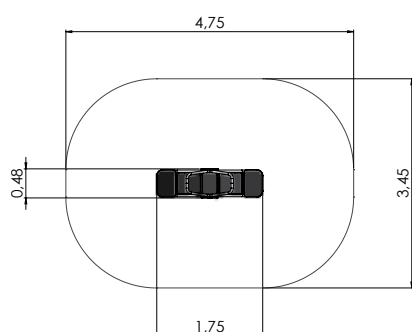
VLI54 Spring swing AICRAFT



K106 See-saw CLAM



K102 See-saw BUBBLE

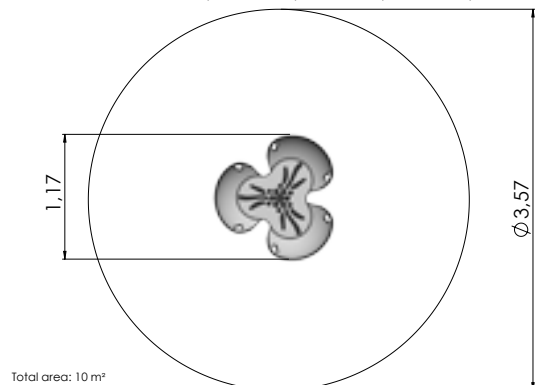
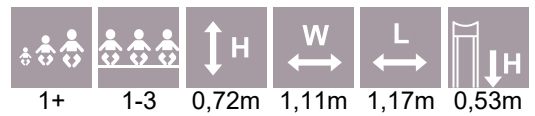


K200 Stand on see-saw

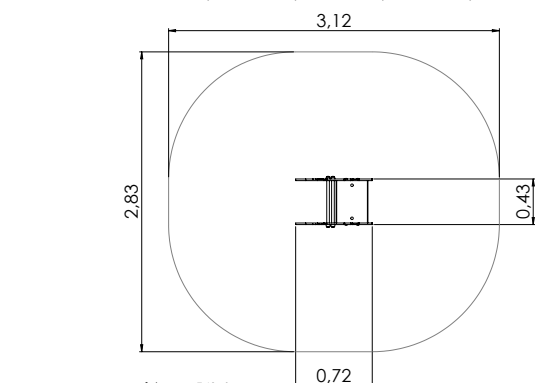


SPRING SWINGS AND SEE-SAWS

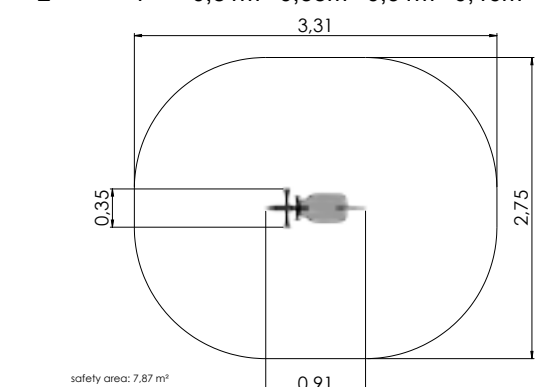
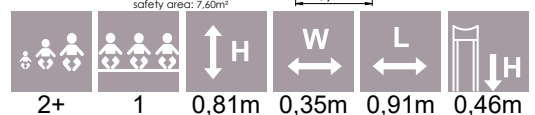
VLI56 Spring Swing LILY



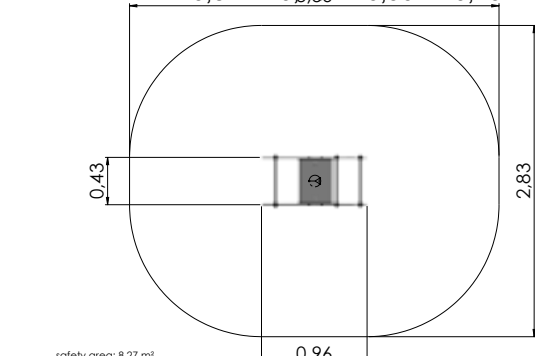
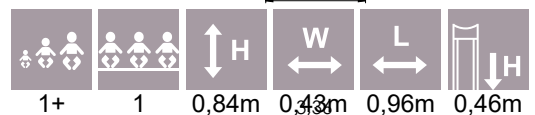
VLI57 Spring Swing ASTRONAUT



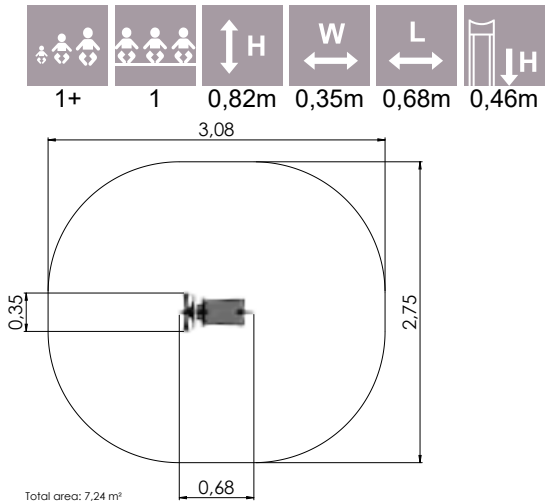
VLO52 Spring Swing HORSE



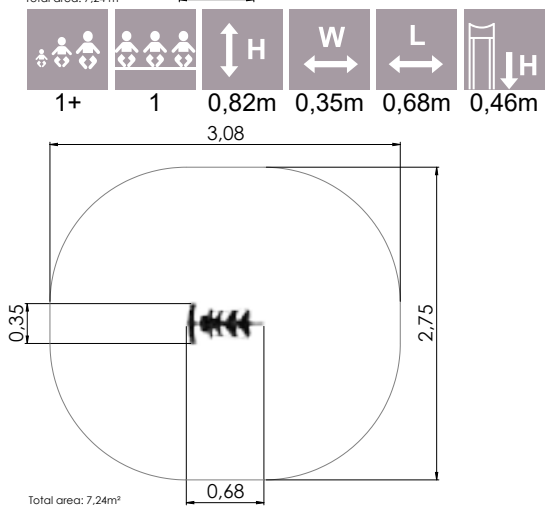
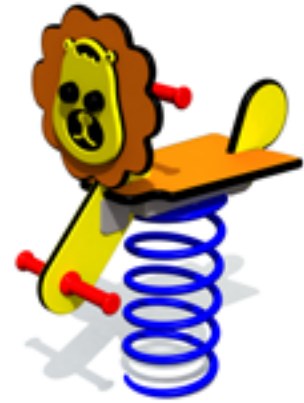
VL58 Spring Swing LADYBUG



SPRING SWINGS AND SEE-SAWS



VLO50 Spring Swing LION

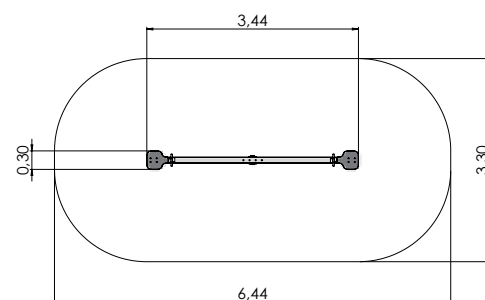
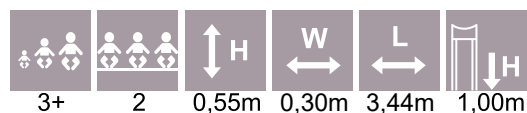


VLO51 Spring Swing ZEBRA

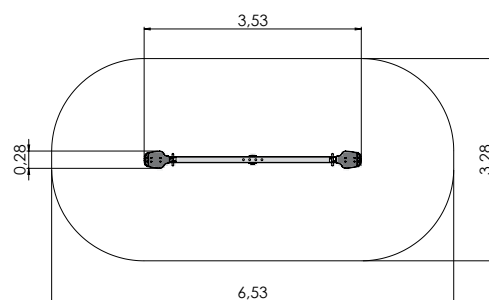
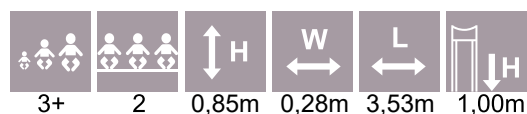


SPRING SWINGS AND SEE-SAWS

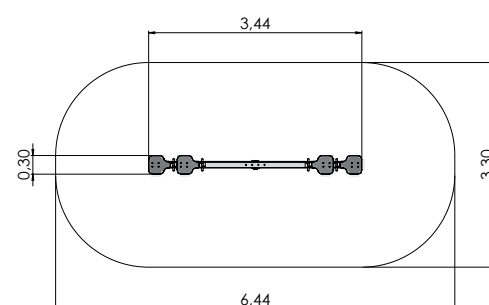
K103 See-saw TODDLER 2 seats



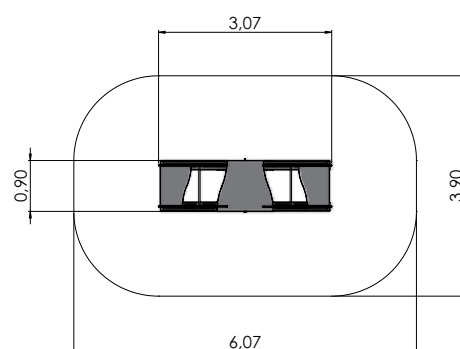
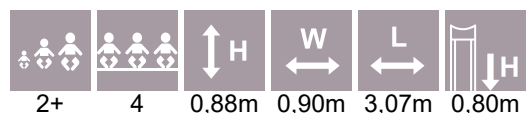
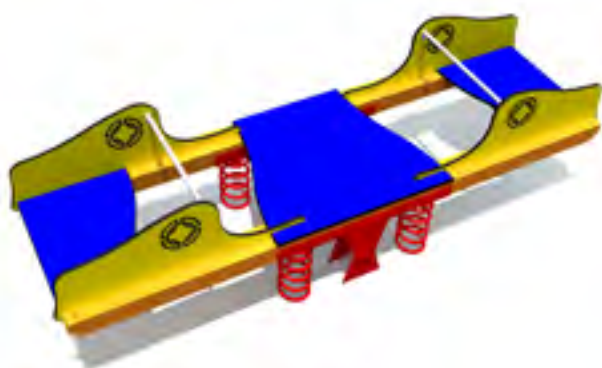
K105 See-saw TODDLER 2 seats with backrests



K104 See-saw TODDLER 4 seats



K108 See-saw 4 seats



THEME PLAY

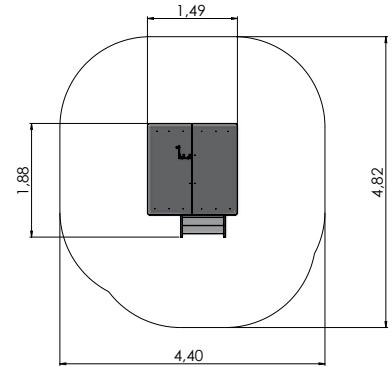
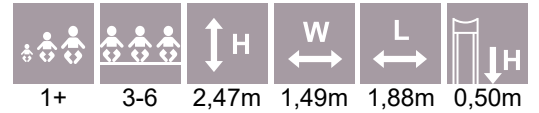


THEME PLAY

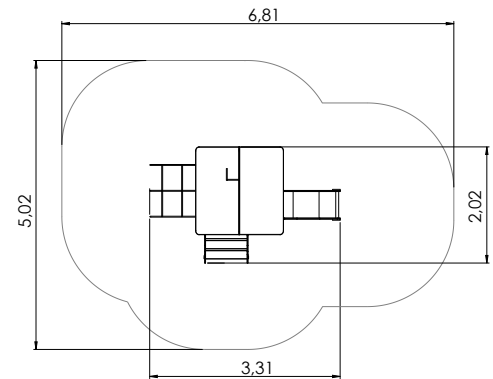
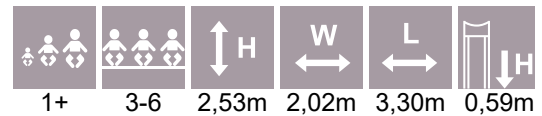
COLOR OPTIONS:



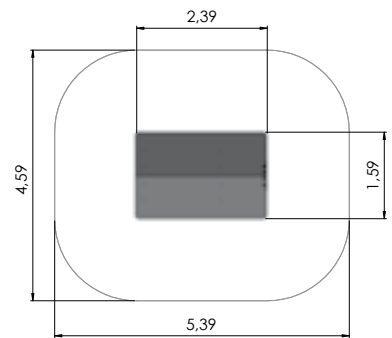
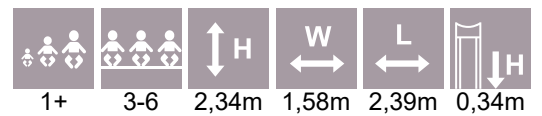
MM410 Playhouse COTTAGE



MM410-2 Playhouse with slide COTTAGE

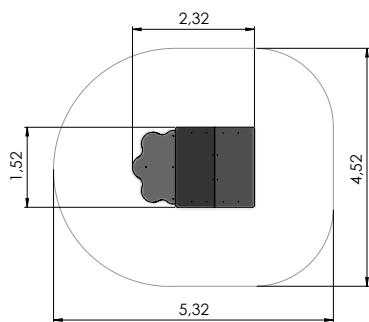
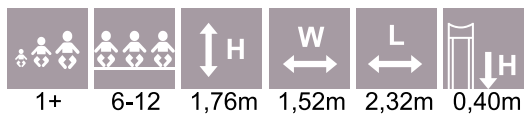
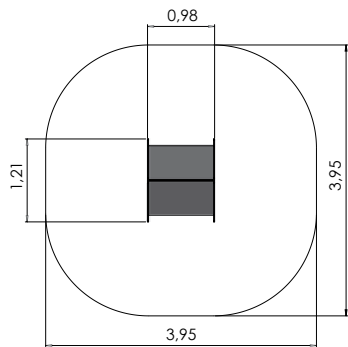
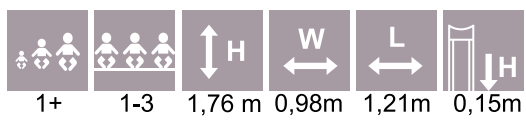


MM401 Playhouse BUFFET with activity panels

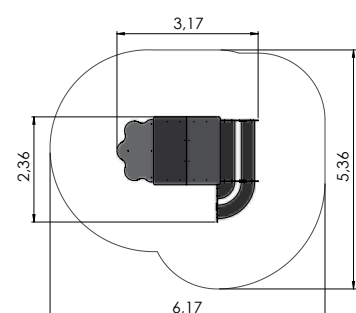
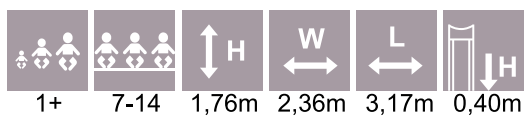




MM001 Playhouse KIOSK



MM301 Playhouse APPLE



MM302 Playhouse APPLE with BUSHES

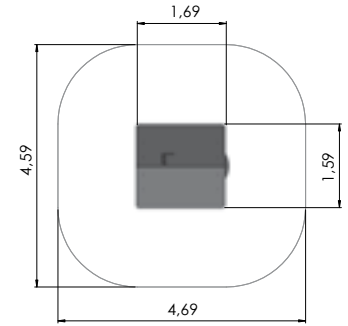
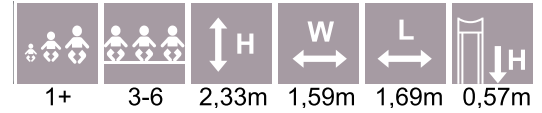


THEME PLAY

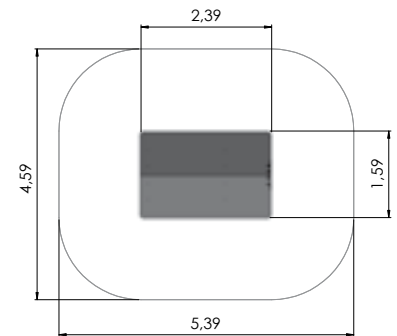
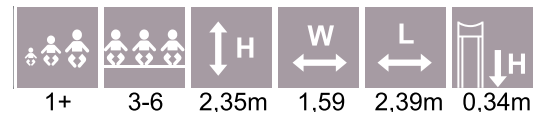
COLOR OPTIONS:



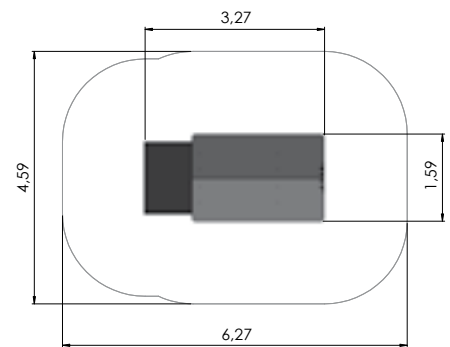
MM401-2 Playhouse BUFFET without floor



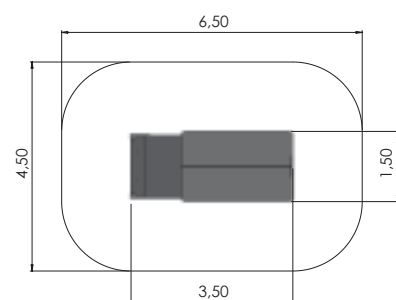
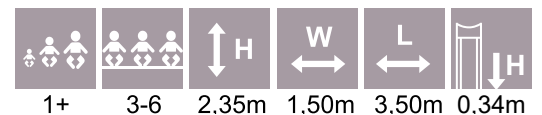
MM401-1 Playhouse BUFFET 2 small



MM402 Playhouse with slope BUFFET 3

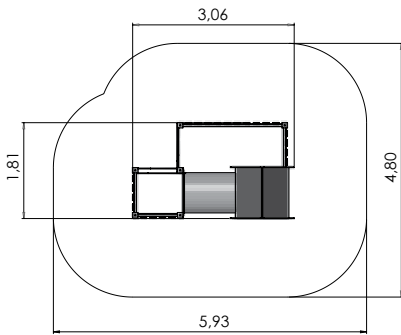
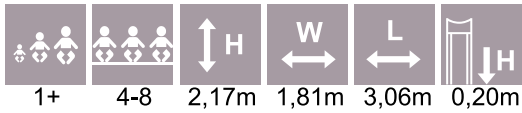


MM403 Playhouse BUFFET with terrace

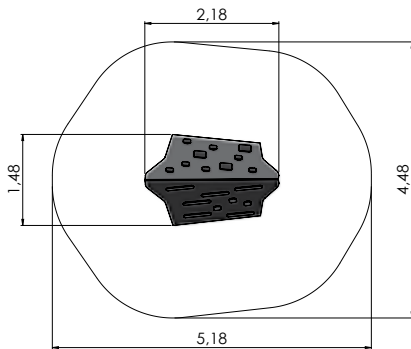
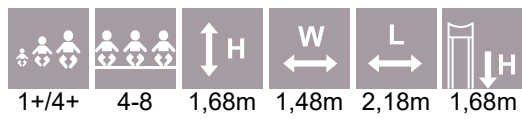


THEME PLAY

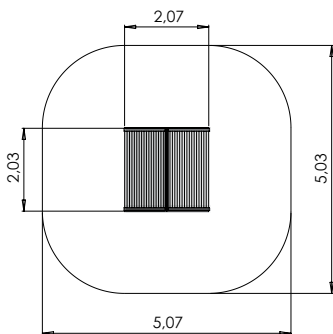
LMK003-1 Play Centre BABY



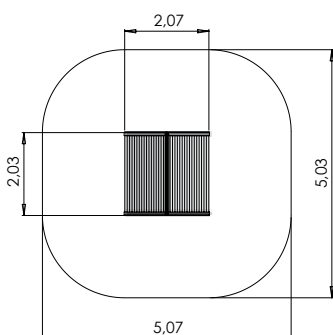
MM002 Playhouse HUT



MM114 Playhouse WIGWAM



MM114-1 Playhouse WIGWAM 2

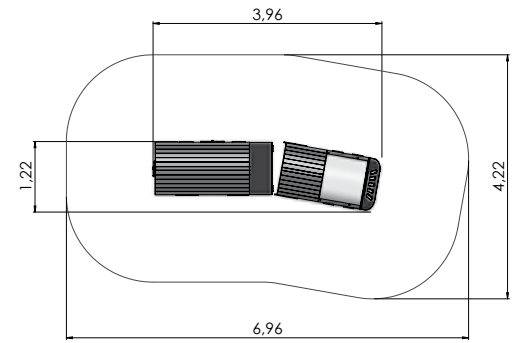
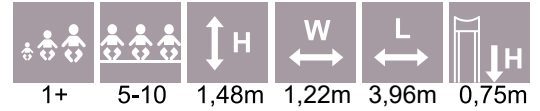


THEME PLAY

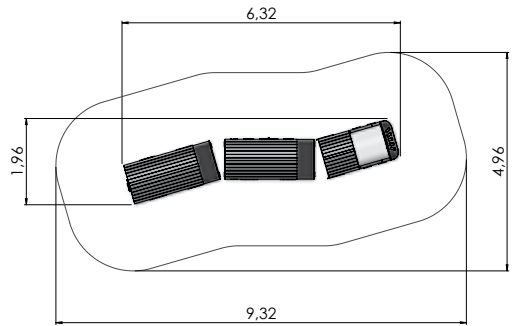
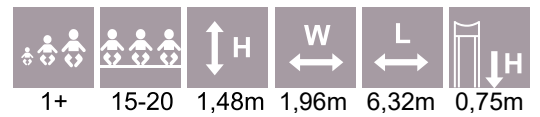
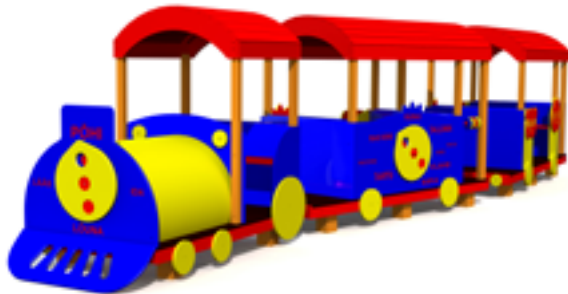
COLOR OPTIONS:



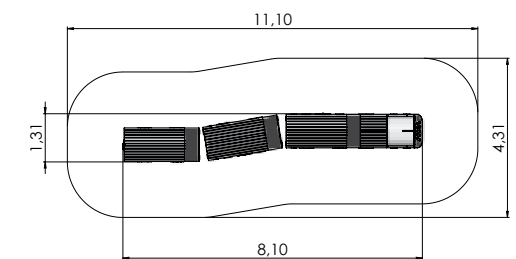
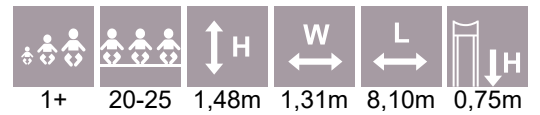
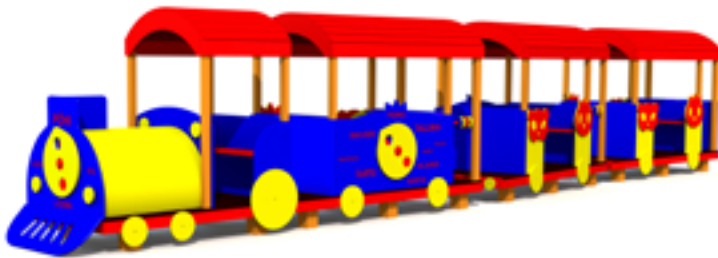
MM101 Playtrain CHOO-CHOO



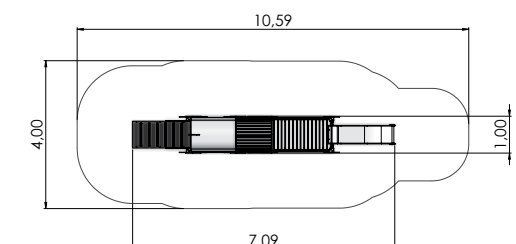
MM101-1 Playtrain CHOO-CHOO long



MM101-2 Playtrain CHOO-CHOO extra long

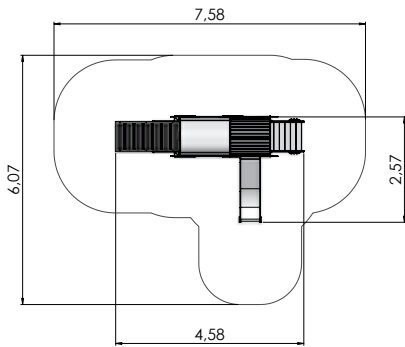
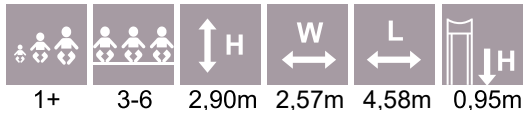


MM104 Playtrain JUNA

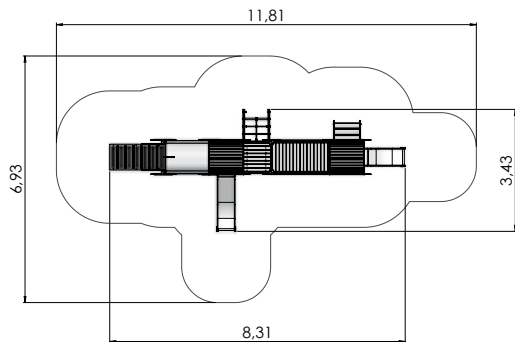
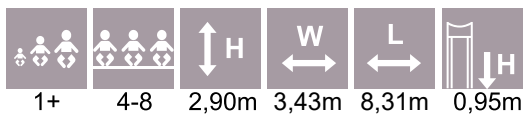


THEME PLAY

MM102 LOCOMOTIVE



MM103 Playtrain GALAXY EXPRESS

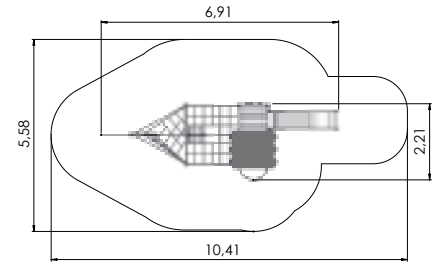


THEME PLAY

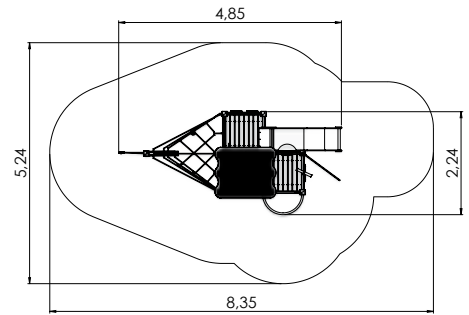
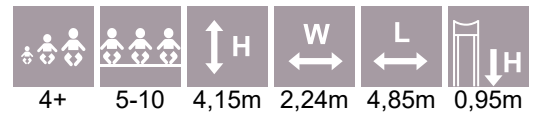
COLOR OPTIONS:



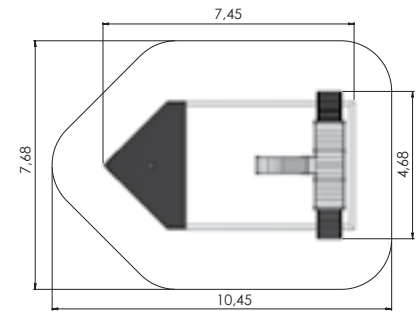
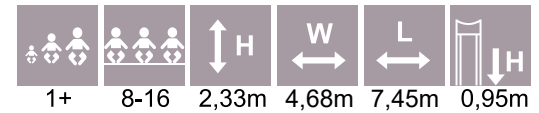
MM116 Playship CAPTAIN DRUM



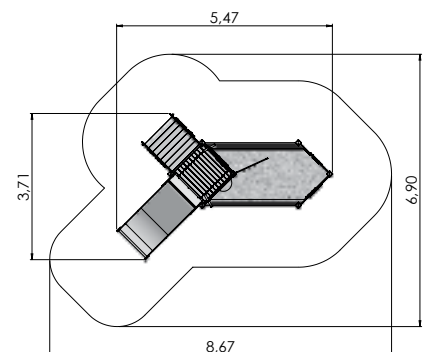
MM177 Playship EMILY



LM301 Playship GRANT

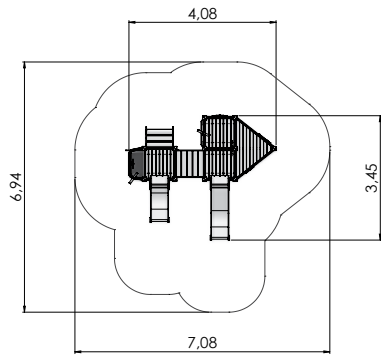


MM128 Playship LUCY (wide slide)



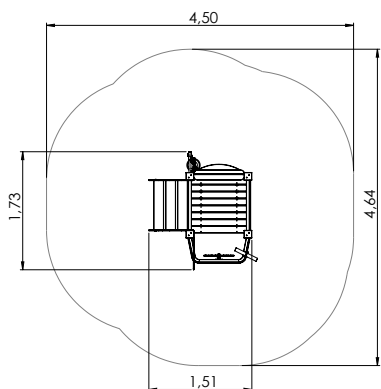
THEME PLAY

1+	4-8	3,26m	3,45m	4,08m	0,95m



MM125 Playship SKIFF

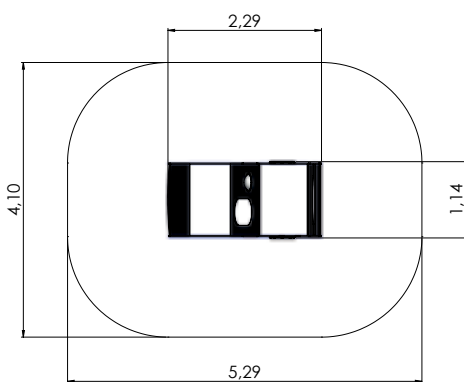
1+	4-8	2,61m	1,51m	1,73m	0,95m



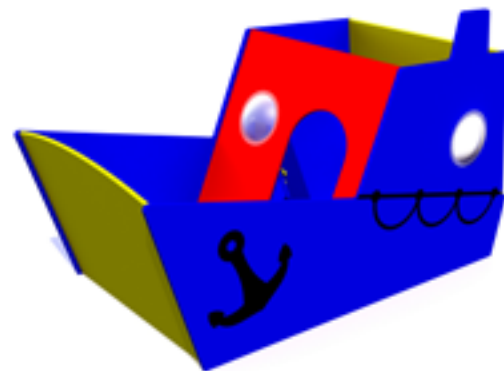
MM125-1 Playship SKIFF mini



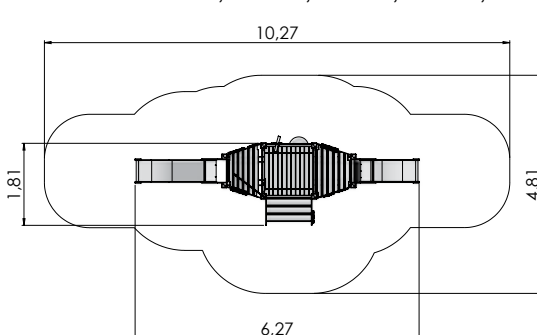
1+	3-6	1,66m	1,14m	2,29m	0,37m



LM136 Playship TUGBOAT



1+	3-6	4,03m	1,91m	6,17m	0,95m



LM127 Playship JENNY





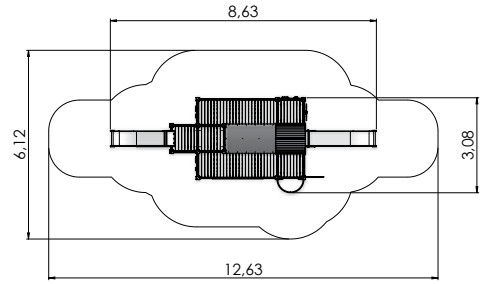


THEME PLAY

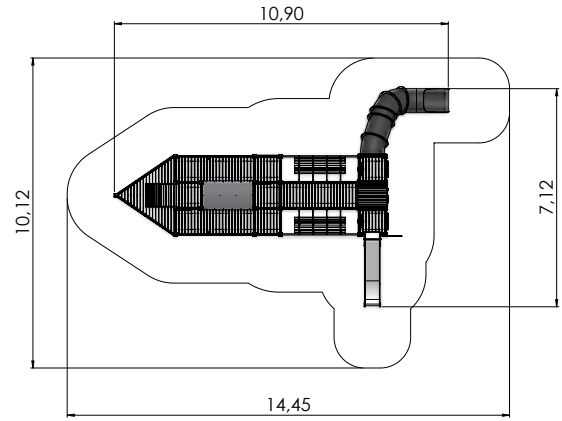
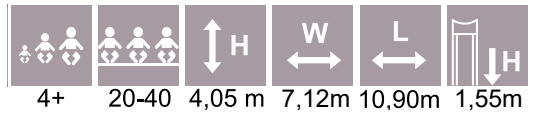
COLOR OPTIONS:

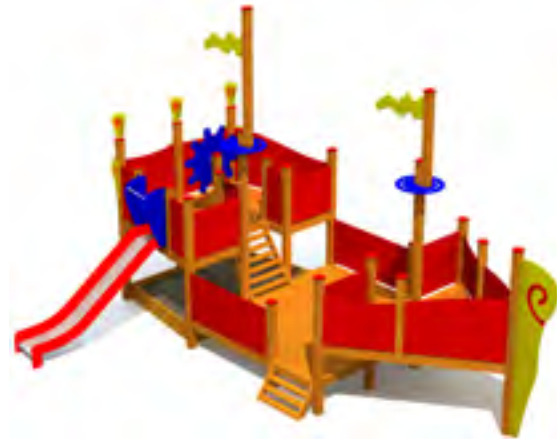
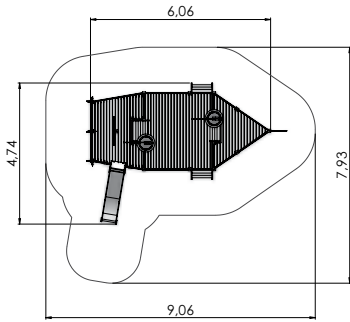


MM119 Playship FRAM

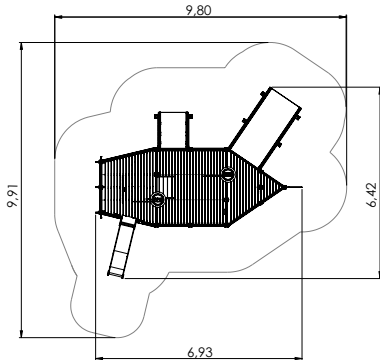
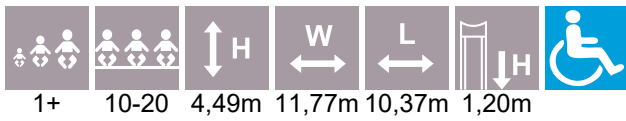


MM118 Playship NOA

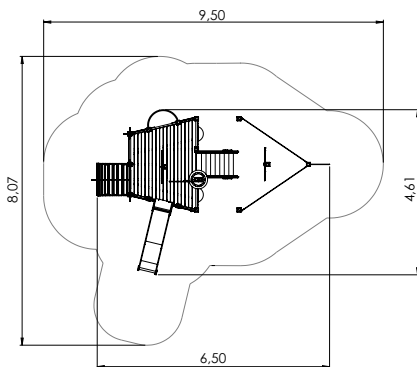
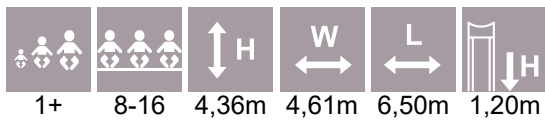




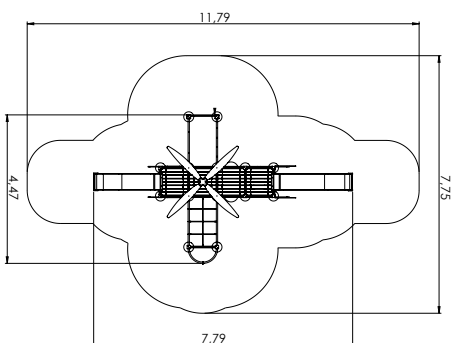
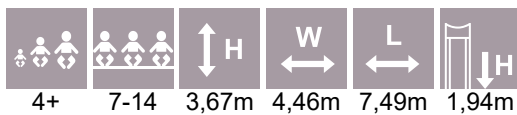
MM122-1 Playship GUSTAV VASA 2
(wheelchair accessible)



MM122-2 Playship GUSTAV VASA mini



MM139 HELICOPTER





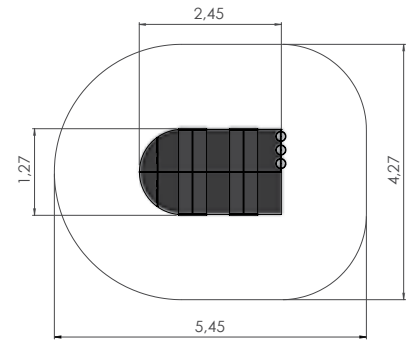


THEME PLAY

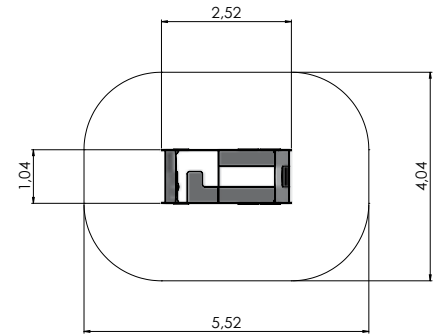
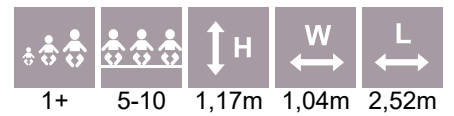
COLOR OPTIONS:



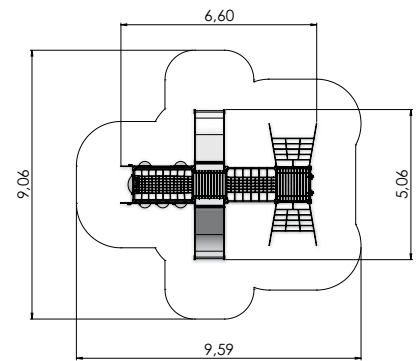
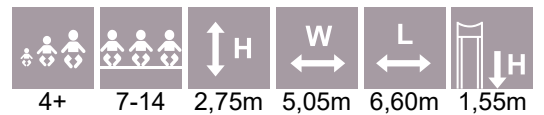
MM112 Playbus BUS



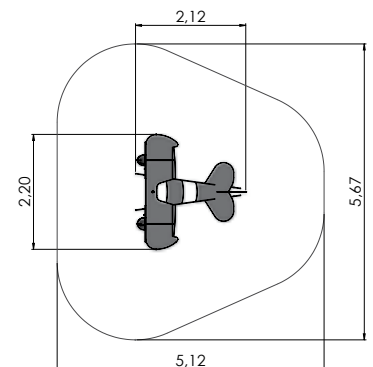
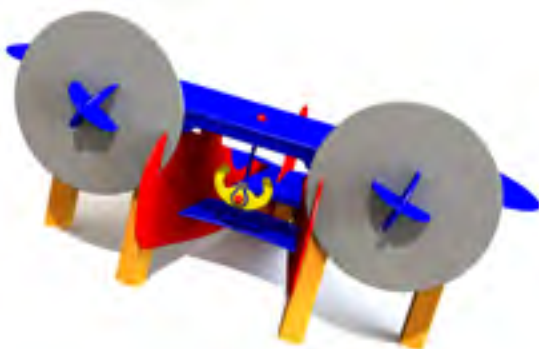
MM133 Express bus



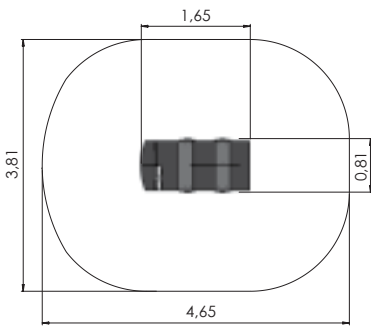
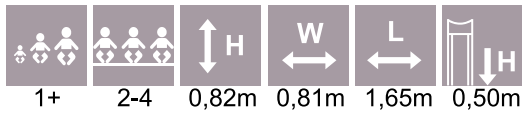
MM135 Cargo plane



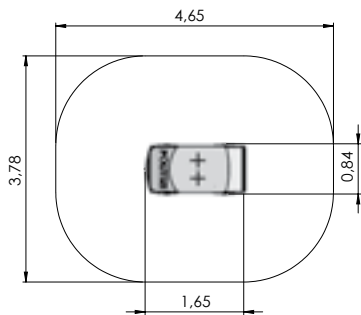
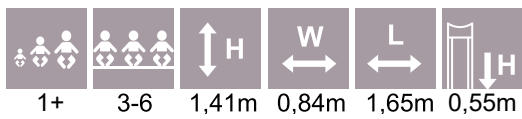
MM131 AIRPLANE



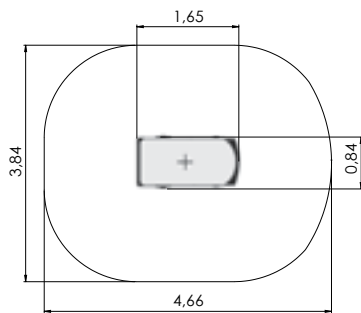
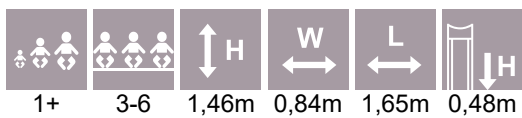
THEME PLAY



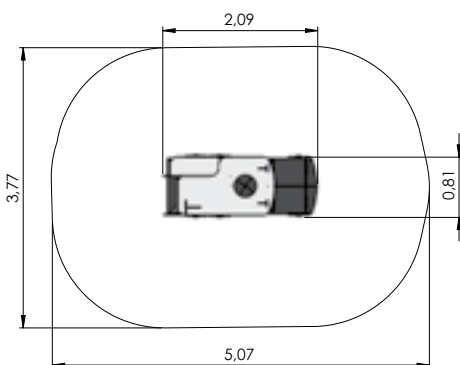
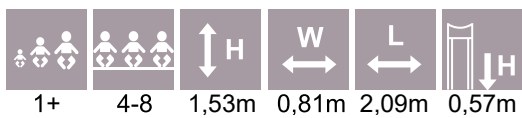
MM111 Playcar MERCEDES



MM113 Playcar POLICE



MM110 Playcar AMBULANCE



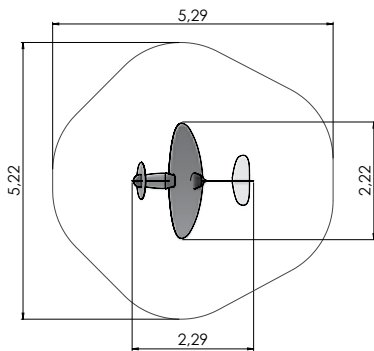
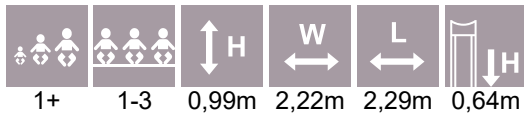
MM130 Playcar EMERGENCY



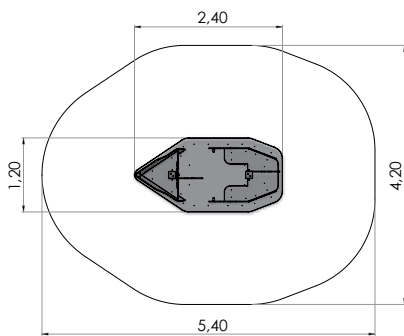
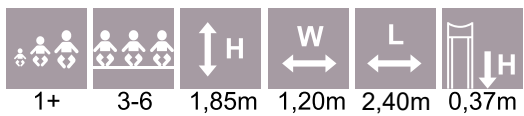


THEME PLAY

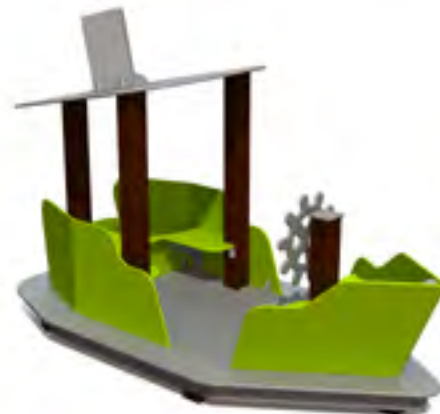
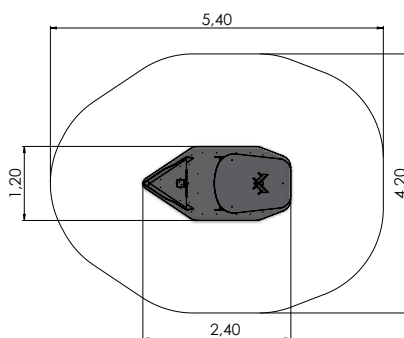
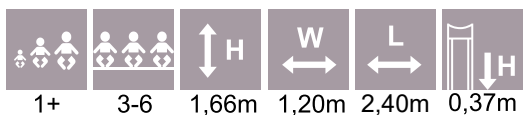
MM132 AIRPLANE small



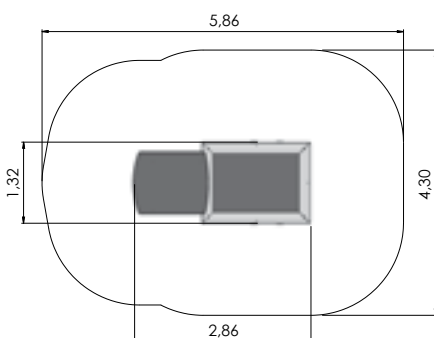
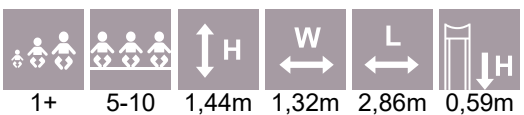
MM120 Playboat TOPU



MM121 Playboat UKU



MM123 Playcar TRUCK

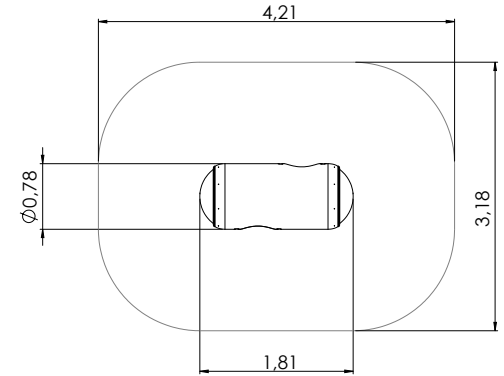
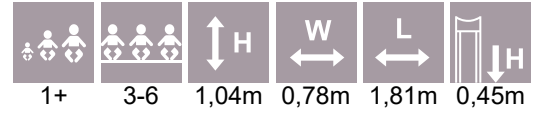


THEME PLAY

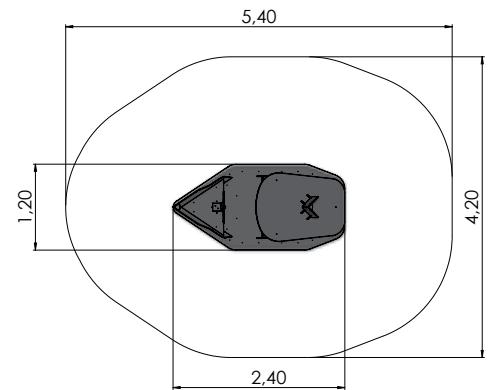
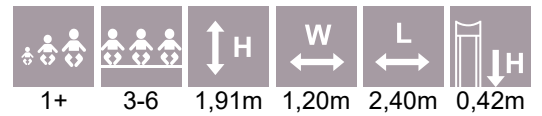
COLOR OPTIONS:



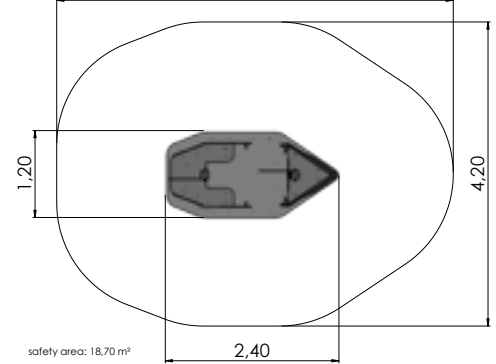
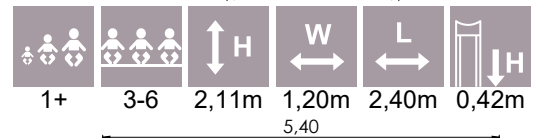
MM134 SUBMARINE



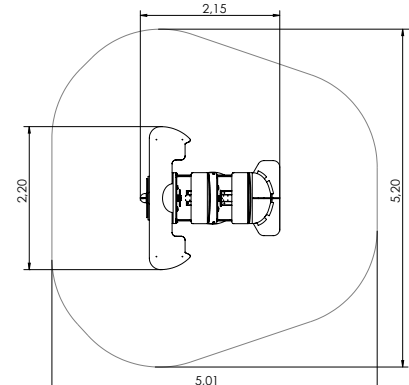
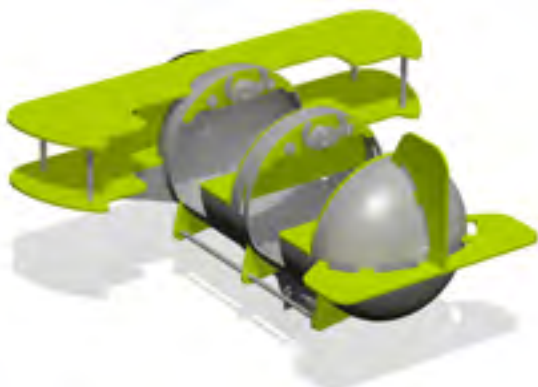
MM121V Playboat UKU on springs



MM120V Playboat TOPU on springs

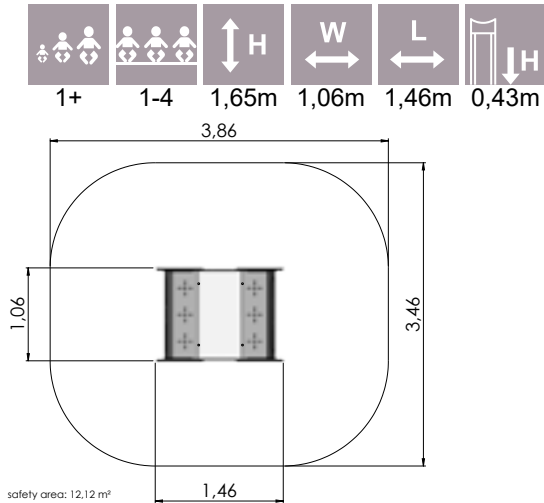


MM144 BIPLANE

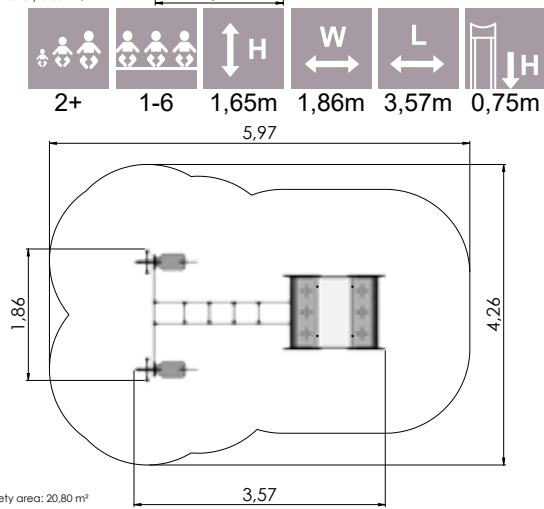


THEME PLAY

MM160 COACH



MM160-1 COACH WITH HORSES

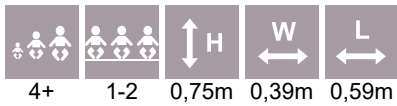


THEME PLAY

COLOR OPTIONS:



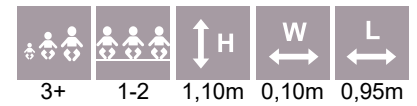
MM140 Gas station



MM140-1 Gas station



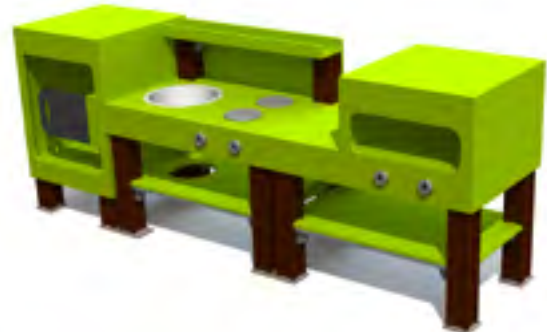
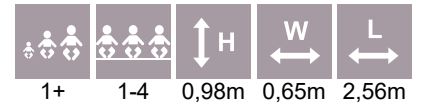
AW01 Activity wall FLYER



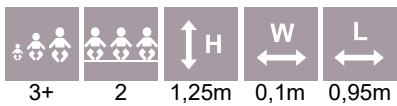
AW11 Play fence



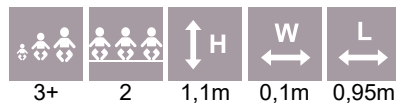
MK01 Mud kitchen



AW13 Activity wall KITCHEN



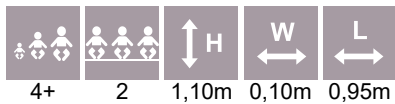
AW14 Activity wall CAR CABIN



AW10 Activity wall COCKPIT



AW05 Activity wall COUNTER



AW03 Activity wall CLOCK



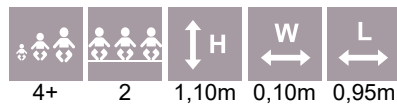
AW06 Activity wall CLOCK & COUNTER



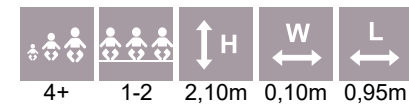
AW07 Activity wall ARITHMETICS 1



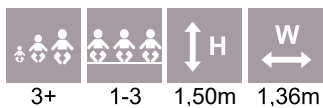
AW08 Activity wall ARITHMETICS 2



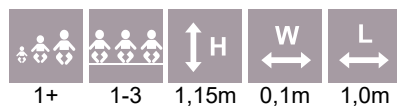
AW09 Activity wall ARITHMETICS 3



TAH001 Blackboard



AW12 Play wall for visually impaired



AW04 Activity wall EMOTIONS



THEME PLAY

COLOR OPTIONS:



Summer



Forest pistachio



Forest fuchia



Forest red



Autumn

AW02T Activity wall TIC-TAC-TOE



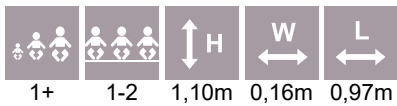
AW02S Activity wall SHAPES



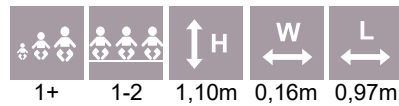
AW02A Activity wall ANIMALS



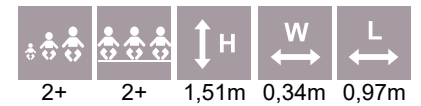
AW19 Activity wall COURIER PLAY



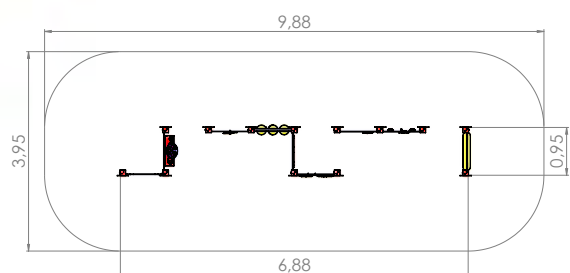
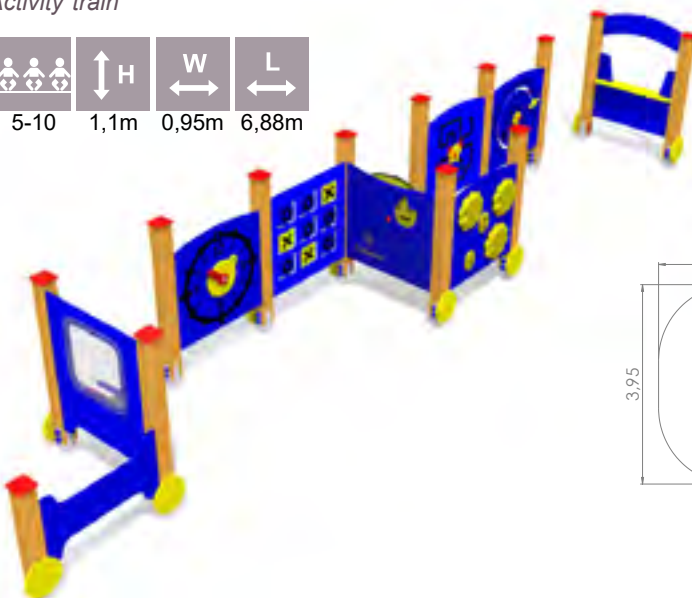
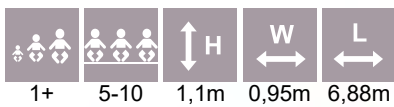
AW32 Activity COUNTING RINGS



AW02K Activity wall KIOSK



AW15 Activity train





THEME PLAY

COLOR OPTIONS:



Summer



Forest pistachio



Forest fuchia

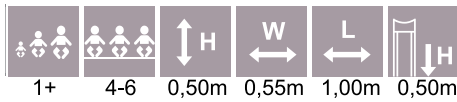


Forest red

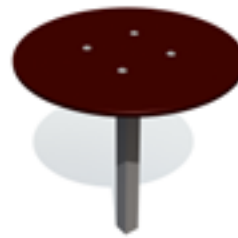
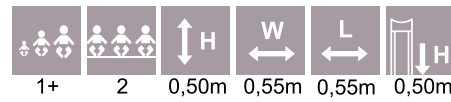


Autumn

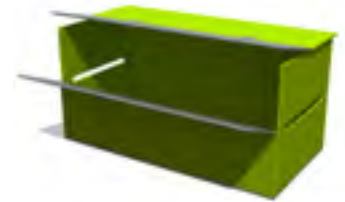
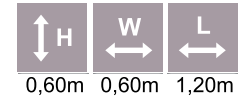
IPL602 Table (oval)



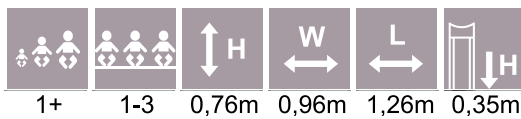
IPL601 Table (round)



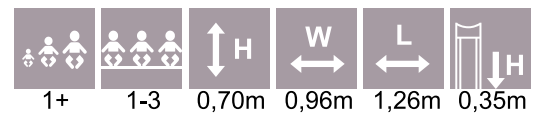
LKA001 Box for toys



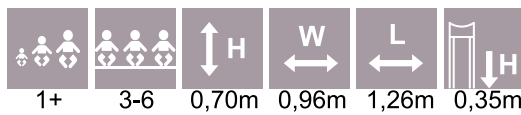
IPK103 Seat and play table SNAIL



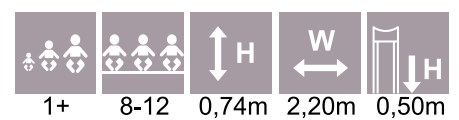
IPK203 Seat and play table CROCO



IPK201 Two-sided seat CROCO



IPR802 Set for a group of children CROCO



SANDBOXES



SANDBOXES

- LK16 Sandbox 1600x1600
- LK20 Sandbox 2000x2000
- LK30 Sandbox 3000x3000
- LK40 Sandbox 4000x4000
- LK63 Sandbox 6000x3000



1+	3-6	0,39m	1,60m	1,60m
1+	4-8	0,39m	2,00m	2,00m
1+	5-10	0,39m	3,00m	3,00m
1+	10-15	0,39m	4,00m	4,00m
1+	10-20	0,39m	3,00m	6,00m

LK32 Sandbox triangular

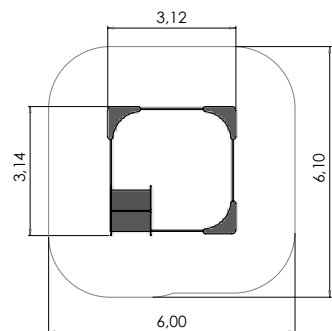


1+	5-10	0,39m	3,56m	3,98m

LMK001 Sandbox 3x3 with little house



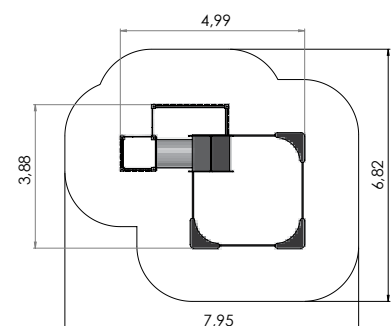
0+	5-10	1,72m	3,12m	3,14m	0,23m



LMK003 Play centre BABY with sandbox

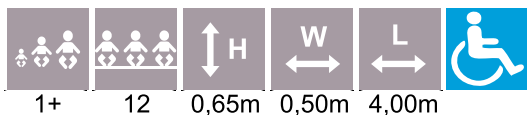


1+	7-14	2,17m	3,88m	4,99m	0,23m

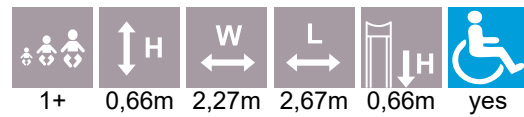


SANDBOXES

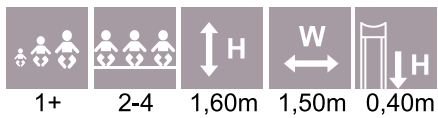
LK01 Sandboxes on legs



LK01-1 Multiform sandbox



LKLP01 Table and seats for sandboxes

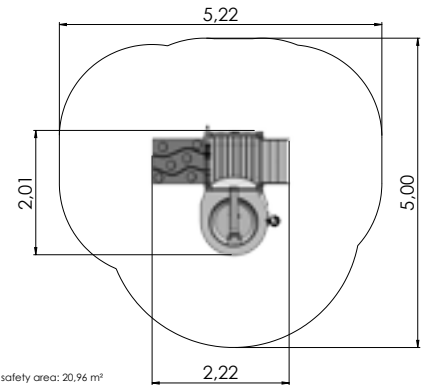
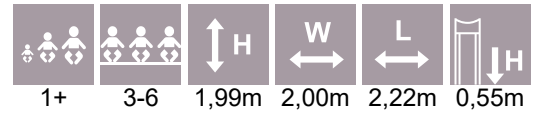


LKL002 Sandbox playable

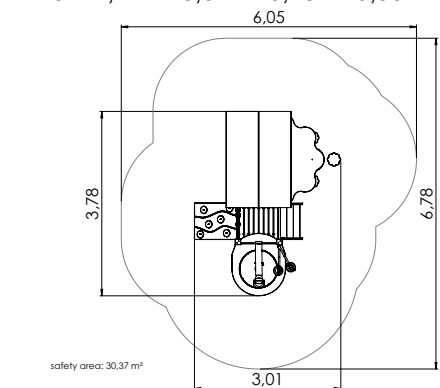
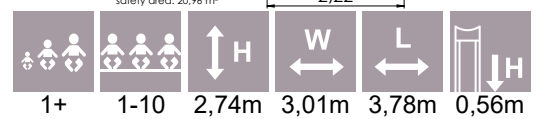


SANDBOXES

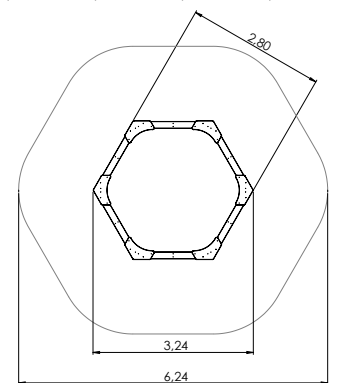
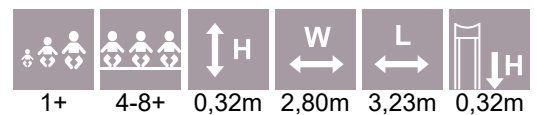
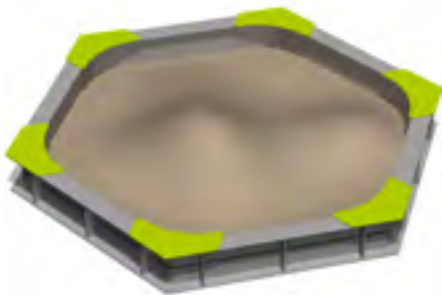
LMK100 Sand play complex with platform



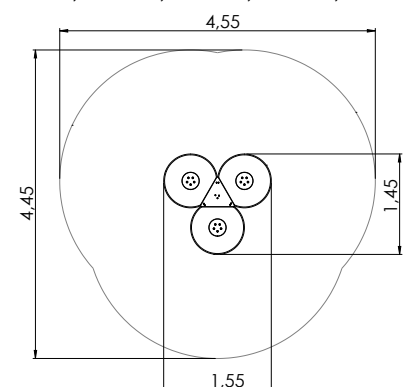
LMK101 Beach cabin



LK31 Sandbox hexagonal (plastic)








LKL004 Sand Play Table for a Wheelchair User






SANDBOXES

Sand digger

				
3+	1	1,15m	0,23m	1,40m



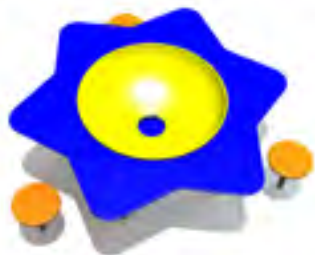
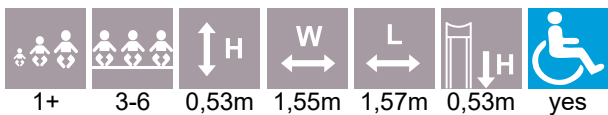
Water game

					
3+	1-8	2,50m	2,50m	1,15m	yes

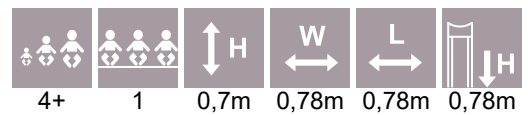


SANDBOXES

LKL003 Sand Play Table



LKP002 Sandbox seat



LKV16, LKV20, LKV30, LKV63 plastic-net cover for sandboxer 1,60-3,00m



Sandbox cover made of extra durable PVC outdoor mesh fabric. This cover helps to keep animals away from the sand and prevents mould growth. A strong rubber cord runs through metal eyelets on the hemmed edge that helps secure the cover to the sandbox. Material is very durable, extremely tear resistant and won't unravel even if damaged by external forces. Mesh material technical parameters: weight 250 g/m², tear strength 250N/5 cm, tensile strength 900N/5 cm. Beautiful imitation of green grass has been printed on the cover. Different designs can be printed on the cover for instance a kindergarten or group name, etc. We also manufacture covers for custom sandboxes.

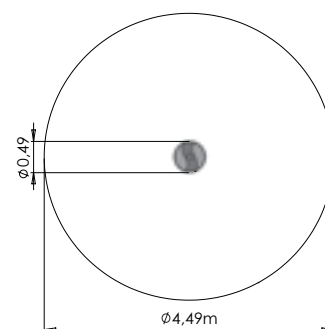
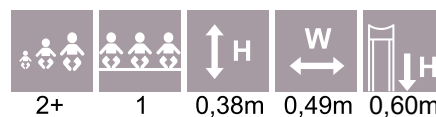


CAROUSELS

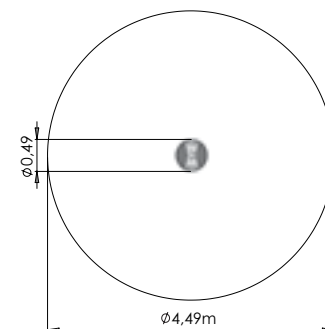


CAROUSELS

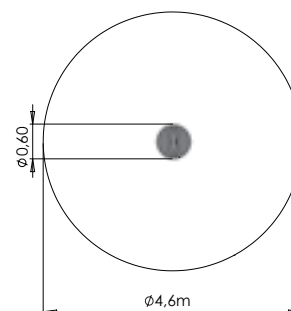
KM011 Carousel MOBILE



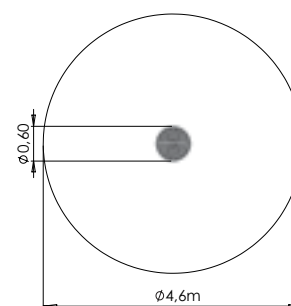
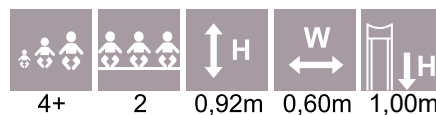
KM010 Carousel MOBILE with handles



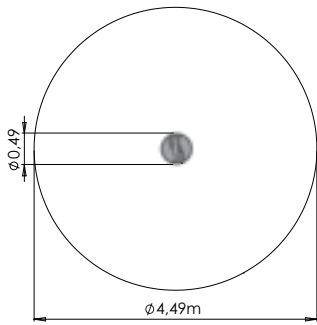
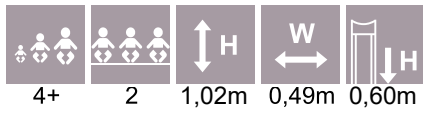
KM009 Carousel SATELLITE



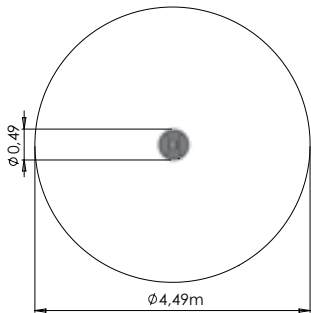
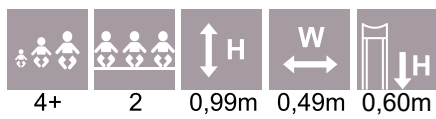
KM008 Carousel ROCKET



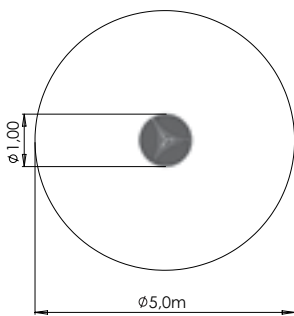
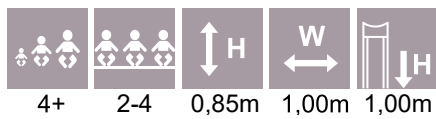
CAROUSELS



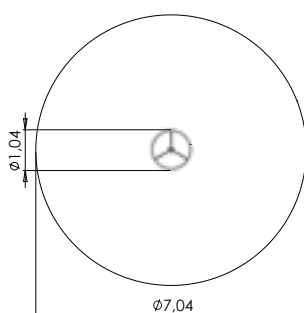
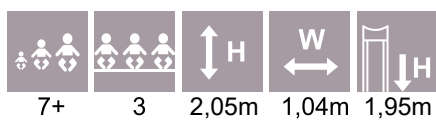
KM007 Carousel METEOR



KM006 Carousel STARLET



KM005 Carousel APOLLO

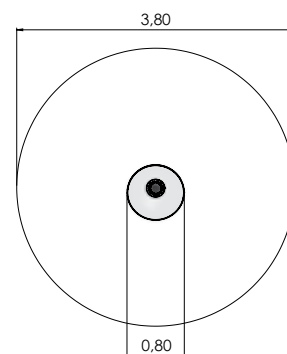
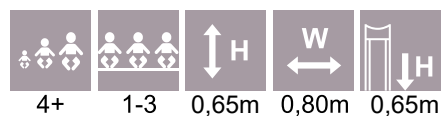


KM003 Hanging carousel COMET

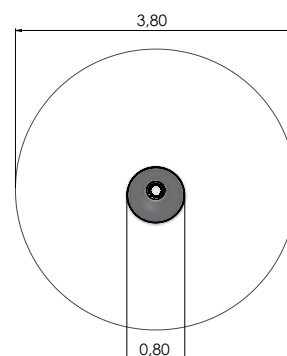
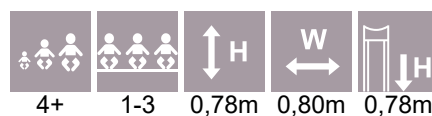


CAROUSELS

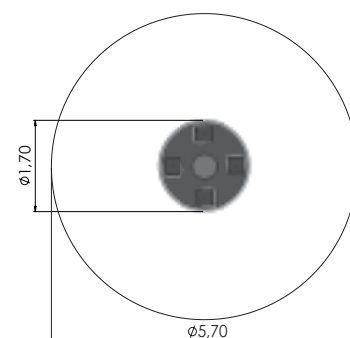
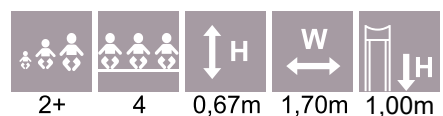
KM012 Carousel EUROPE



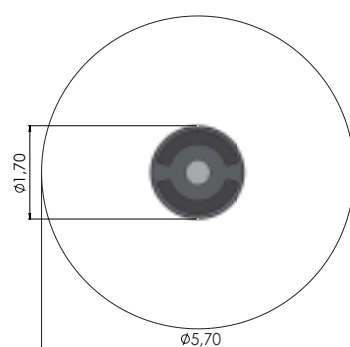
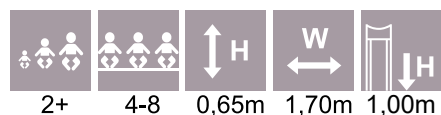
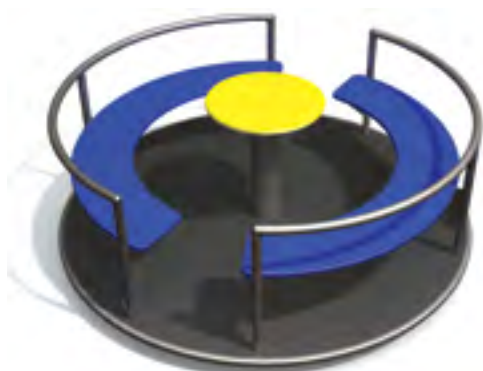
KM012 B carousel BROOCH



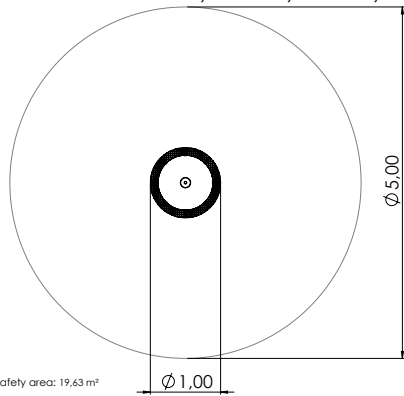
KM002 Carousel MOON CIRCLE



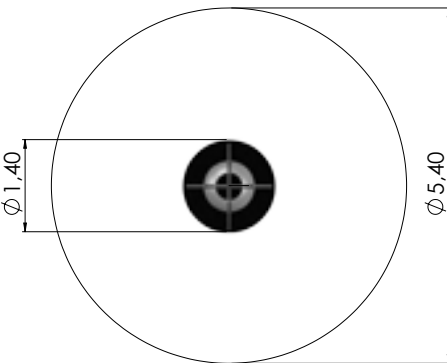
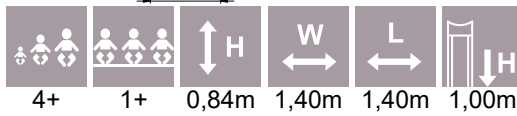
KM001 Carousel SUN WHEEL



CAROUSELS



KM016 Carousel ORBITER



KM017 Carousel ASTRO















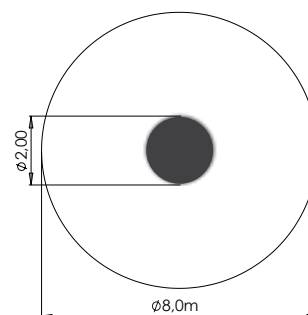
safety area: 22.90 m²



CAROUSELS

KM004 Carousel UFO 2m
 KM004S Carousel UFO 1,5m

					
3+	6-12	0,53m	2,00m	2,00m	1,00m
					
3+	6-12	0,73m	1,50m	1,50m	1,00m

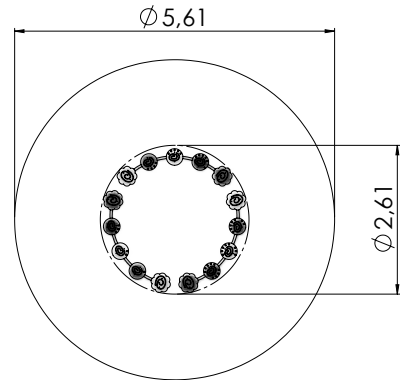
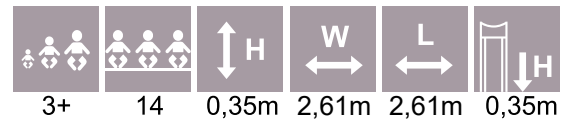


BALANCING AND EXERCISE

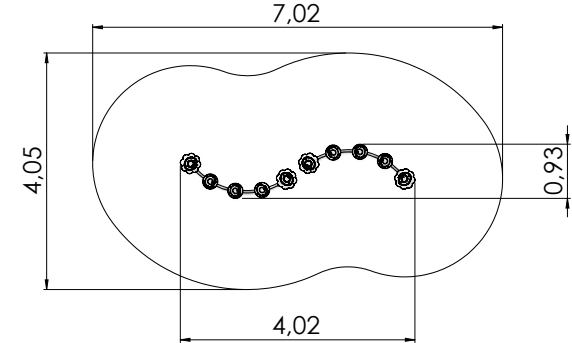
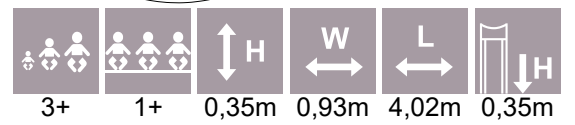


BALANCING AND EXERCISE

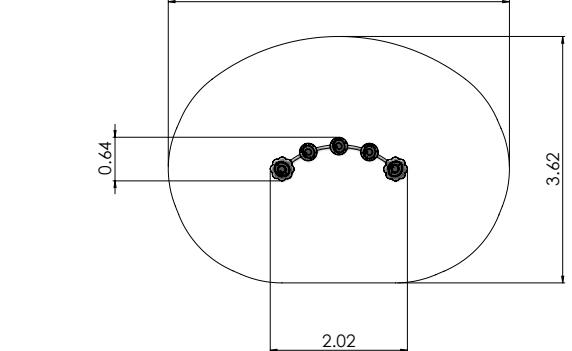
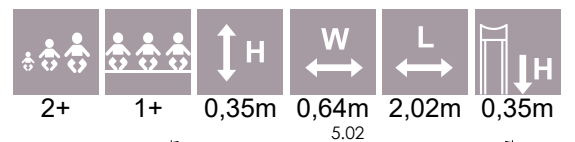
PVP10L Spiral beam SNAKE



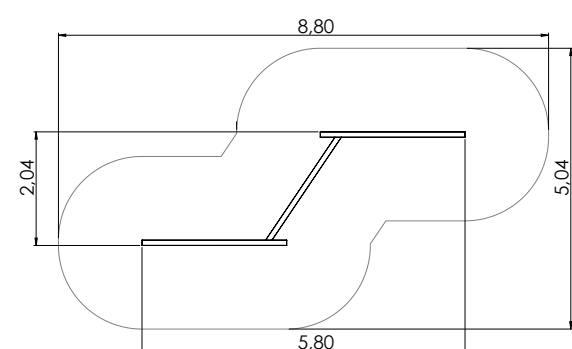
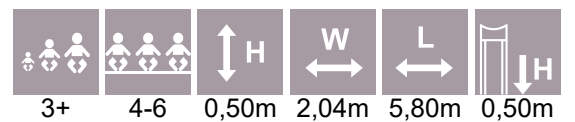
PVP10M Spiral beam SNAKE



PVP10S Spiral beam SNAKE



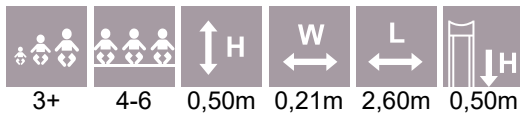
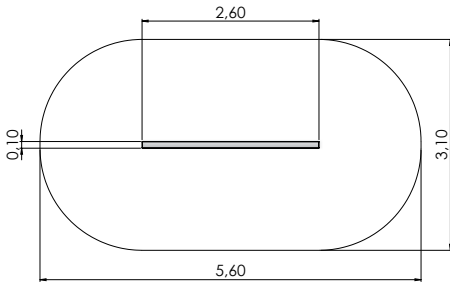
PLP11-3 Zig-zag beam



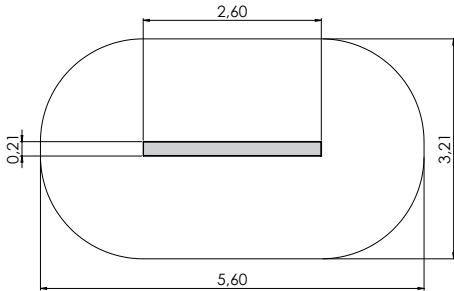
BALANCING AND EXERCISE



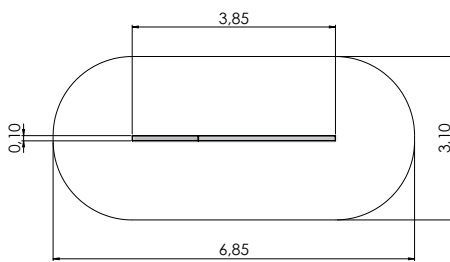
PLP11 Beam



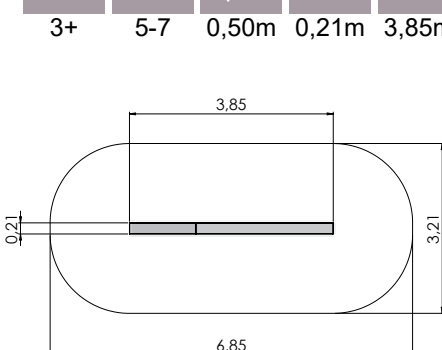
PLP11W Beam (wide)



PLP12 Beam with slope

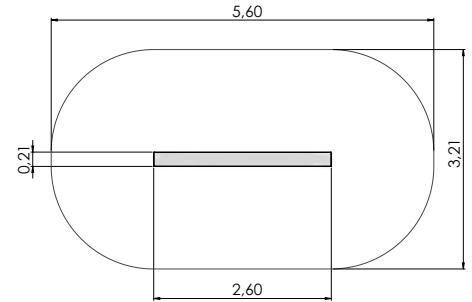
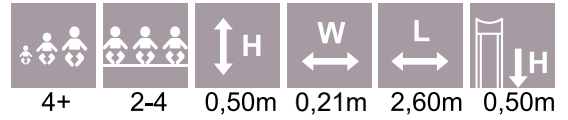
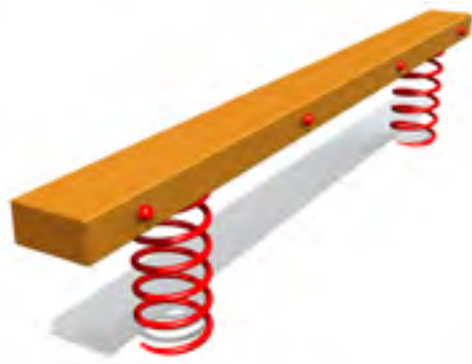


PLP12W Beam with slope (wide)

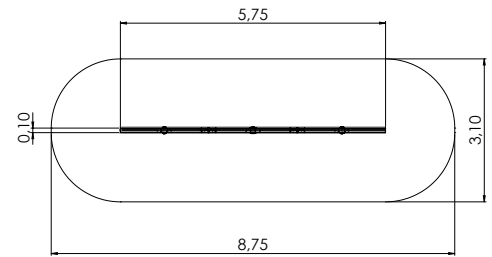
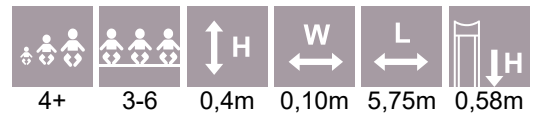


BALANCING AND EXERCISE

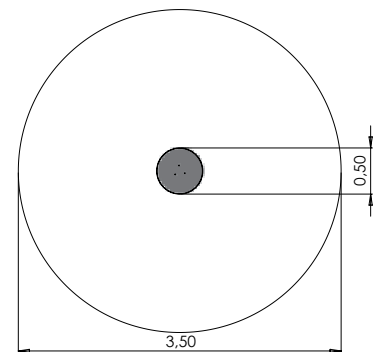
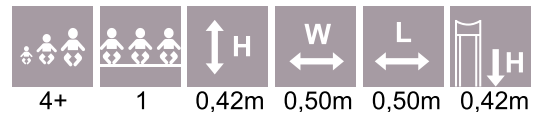
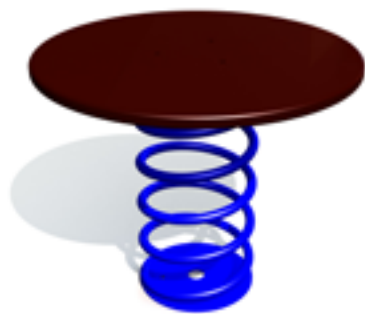
PLP13 Spring beam



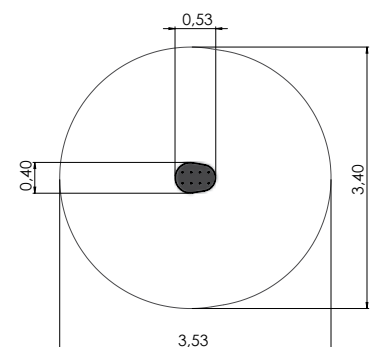
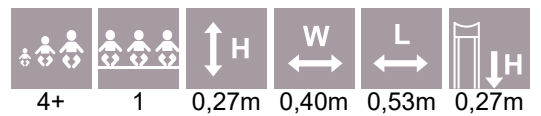
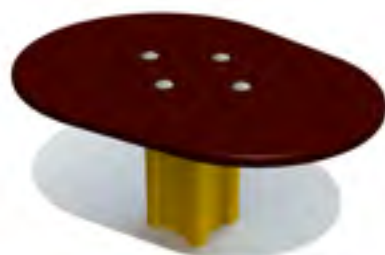
PLP15 Balance beam



PV010 Spring plate BALANCE



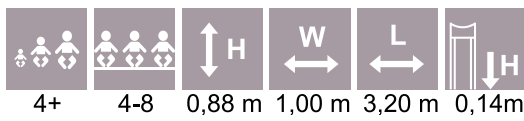
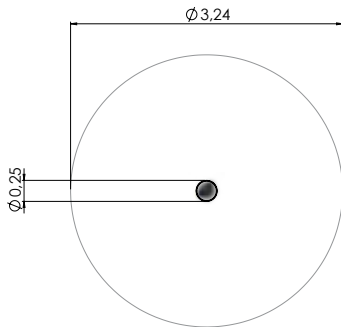
PV012 Balancing plate STEP



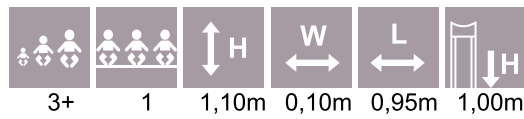
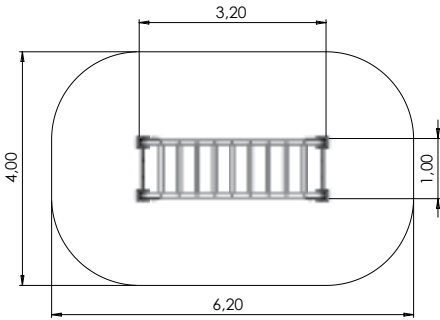
BALANCING AND EXERCISE



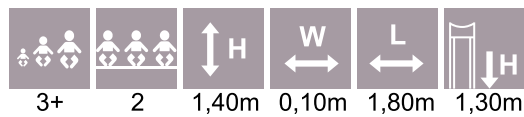
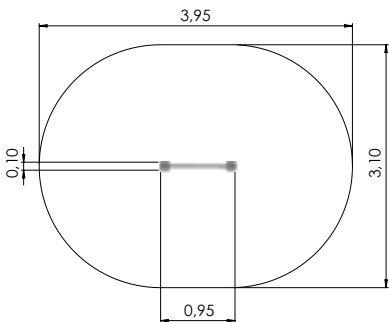
PV013 Balance stand (0,2m, 0,3m, 0,4m, 0,5m)



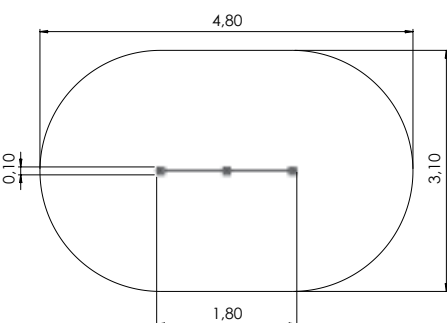
RS113 Bridge on chains



RK01 Trapeze of one height

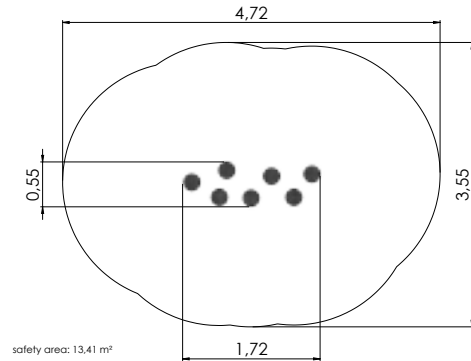
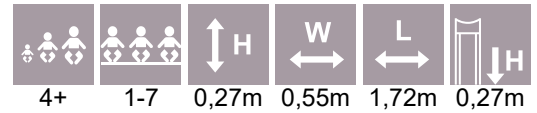


RK02 Trapezes of two heights

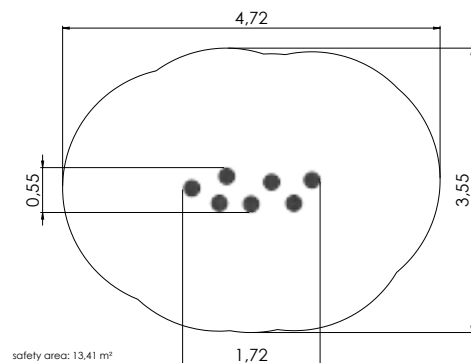
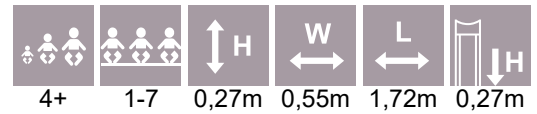


BALANCING AND EXERCISE

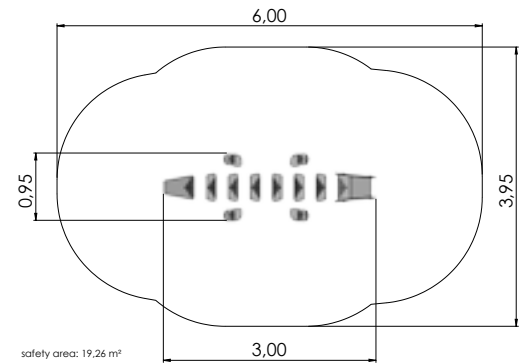
TKR604 Balance Track HOPROCKS



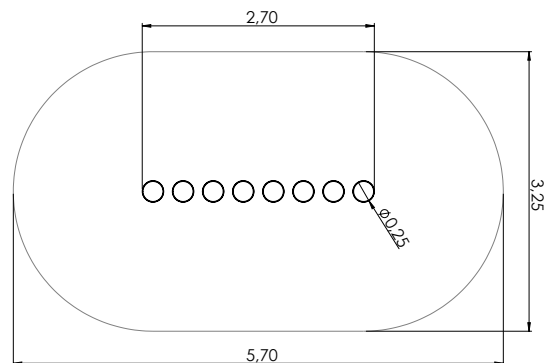
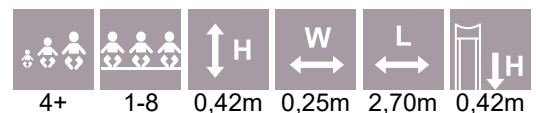
TKR604-1 Balance Track WATERLILIES



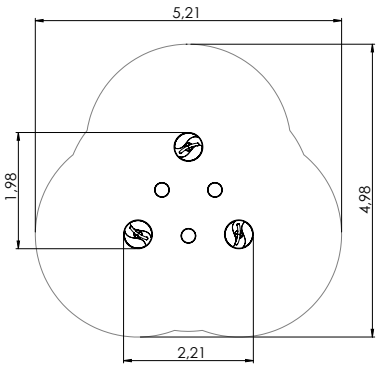
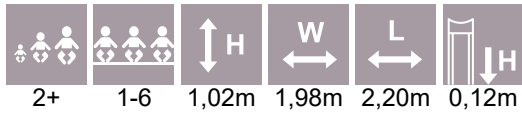
TKR605 Balance Track GATOR



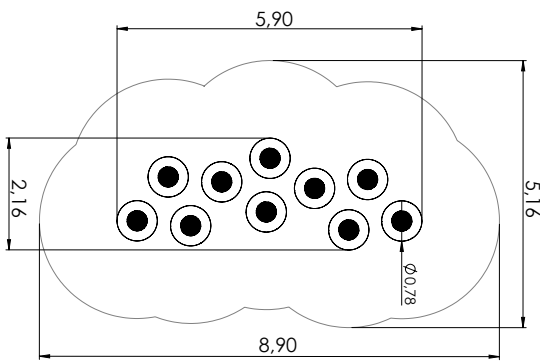
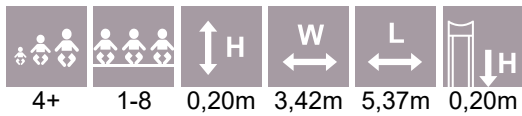
TKR606 Balance Track EPDM steps



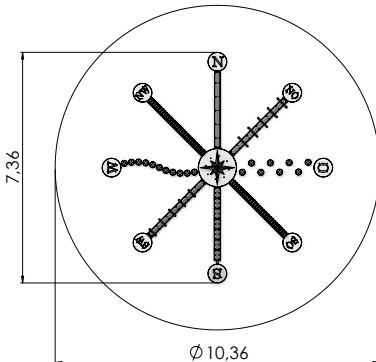
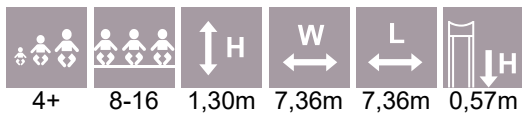
BALANCING AND EXERCISE



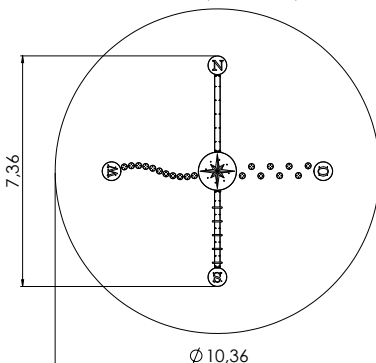
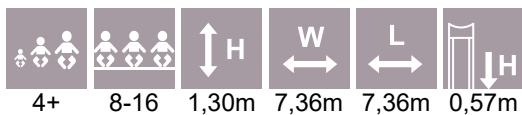
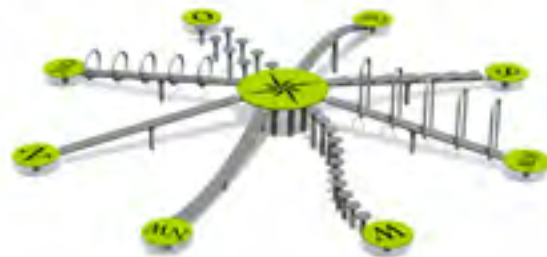
TKR200 Balance Track METEOR SHOWER



TKR607 Balance Track SPACERACE



TKR001 Balance Equipment COMPASS



TKR001S Balance Equipment COMPASS small

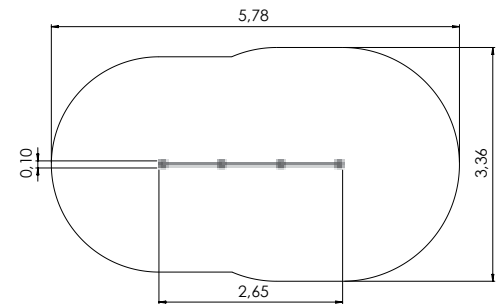




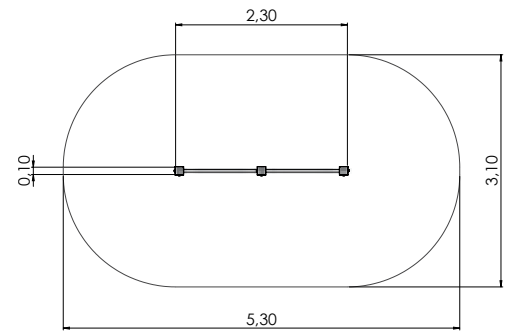
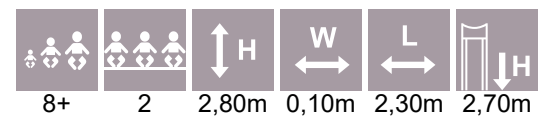


BALANCING AND EXERCISE

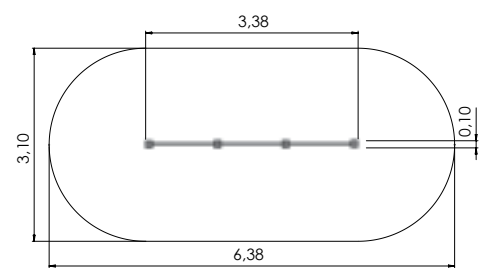
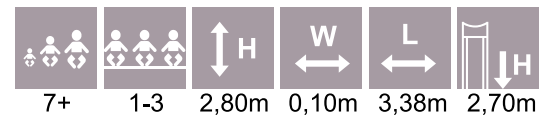
RK03 Trapezes of three heights



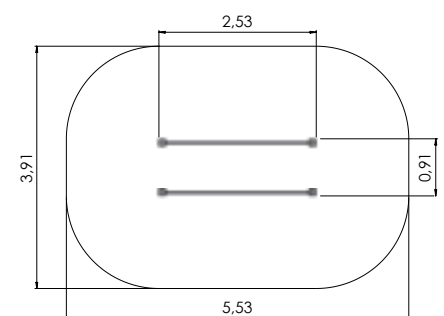
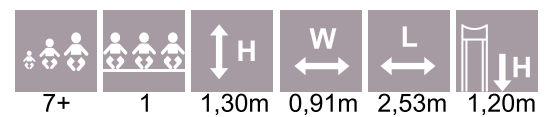
TSV001-1 Hang bars 2 places



TSV001 Hang bars

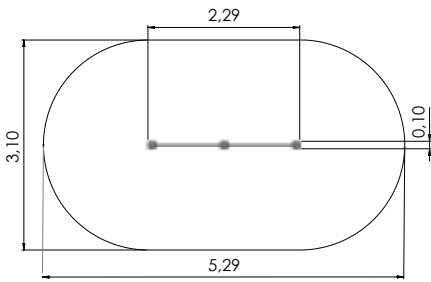


TSV002 Parallel bars



BALANCING AND EXERCISE

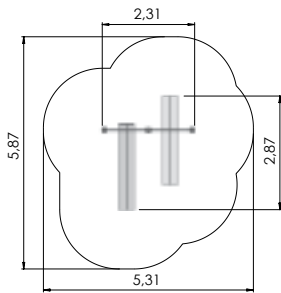
7+	1-2	0,65m	0,10m	2,29m	0,55m	



TSV003 Push-up bars



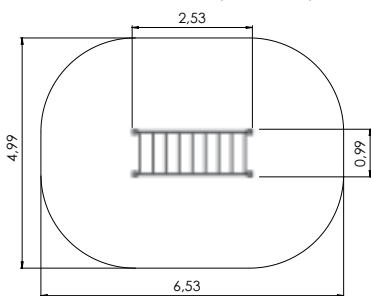
7+	1-2	1,11m	2,31m	2,87m	0,75m	



TSV004 Abdominal training equipment



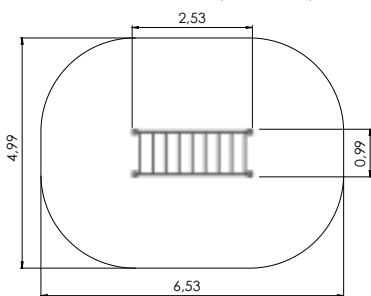
8+	1-2	2,65m	0,99m	2,53m	2,55m	



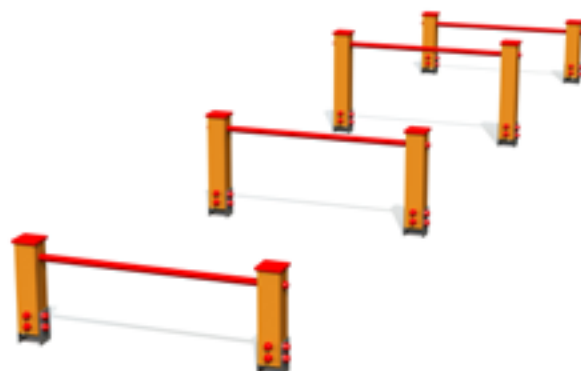
TSV005 Hanging track
TSV005S Hanging track low



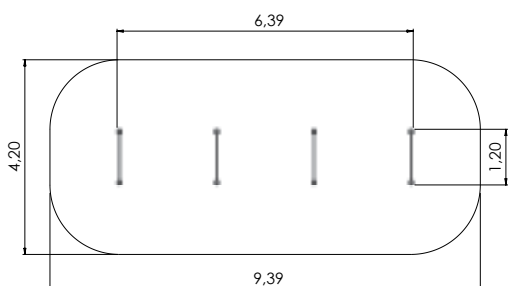
4+	1-2	1,62m	1,01m	2,55m	1,52m	



TSV007 Jumping track

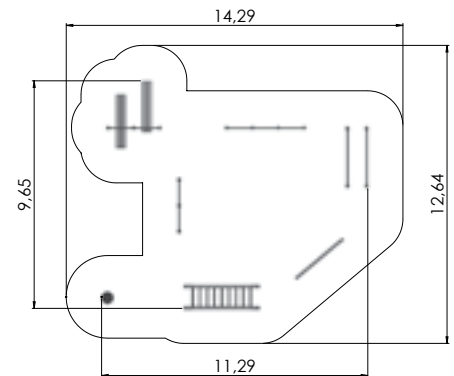
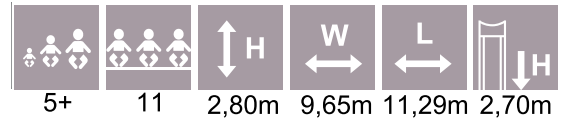


7+	4	0,65m	1,20m	6,39m	0,55m	

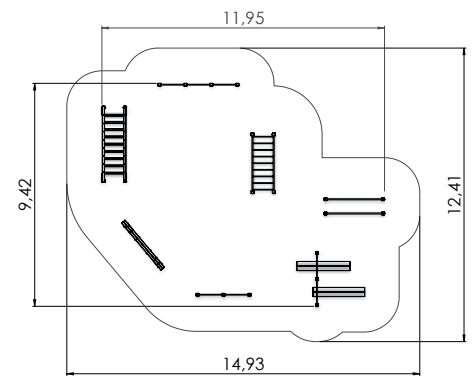
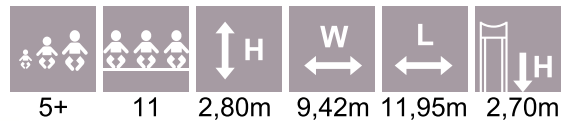


BALANCING AND EXERCISE

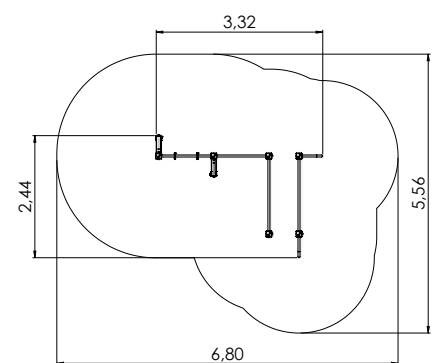
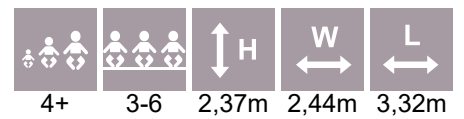
TSV010 Outdoor exercise complex 1



TSV011 Outdoor exercise complex 2



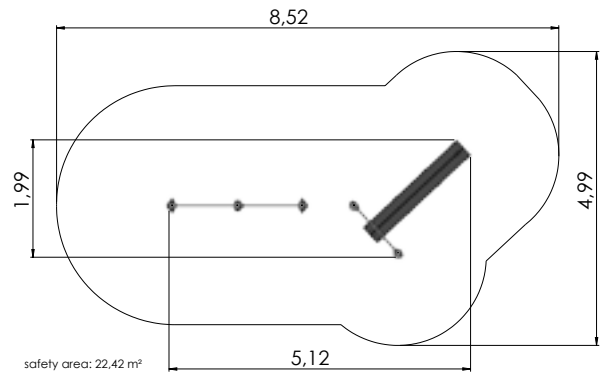
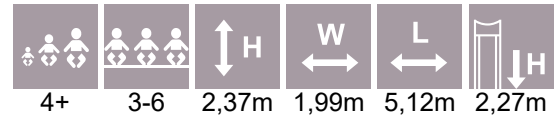
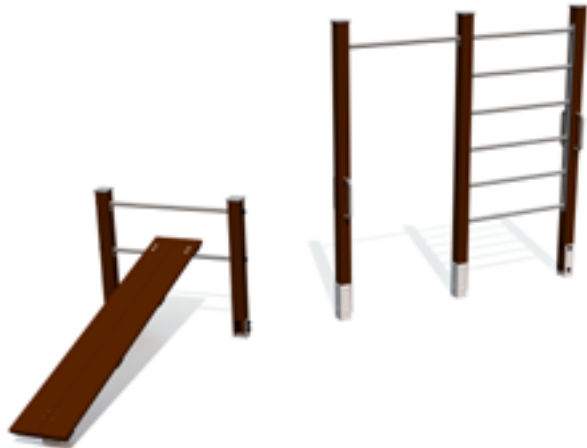
TSV012 Outdoor exercise complex 3



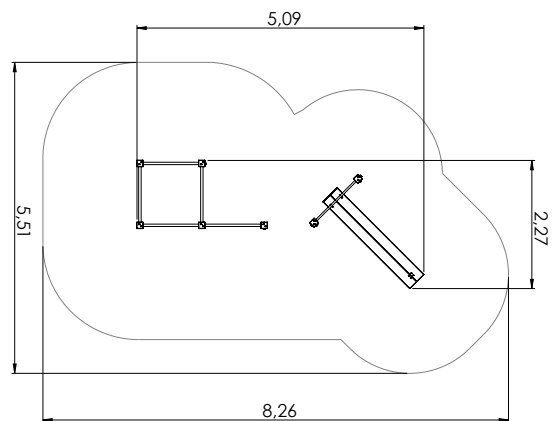
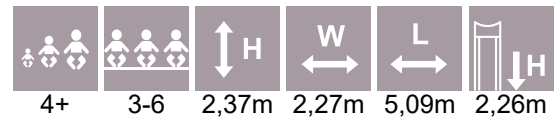


BALANCING AND EXERCISE

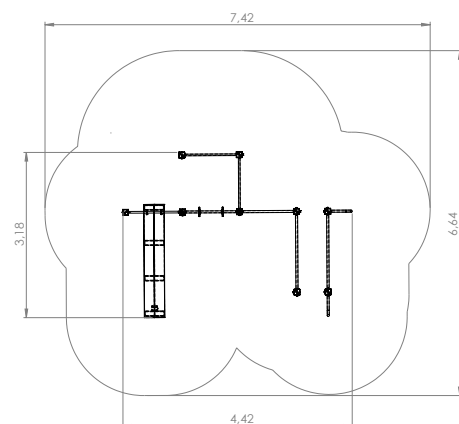
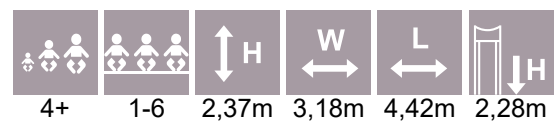
TSV013 Outdoor exercise complex 4



TSV013-1 Outdoor exercise complex 4.1

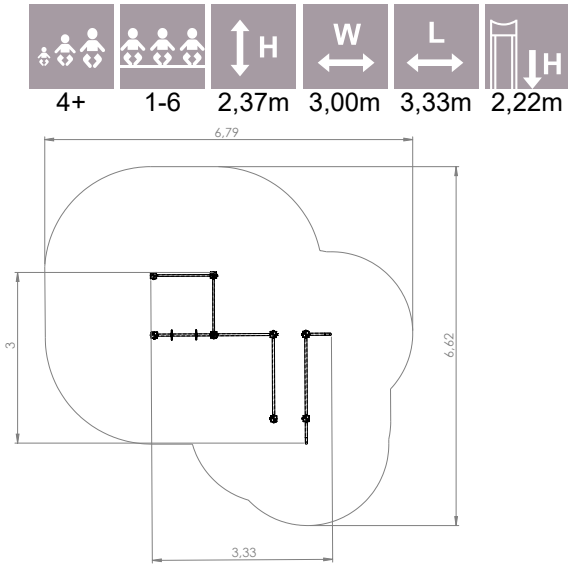


TSV014 Outdoor exercise complex 5

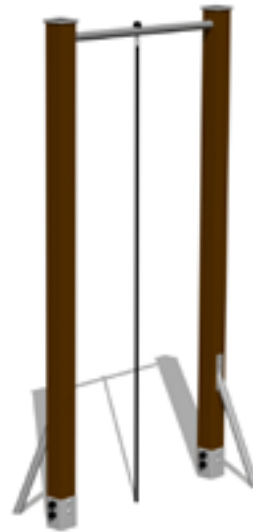
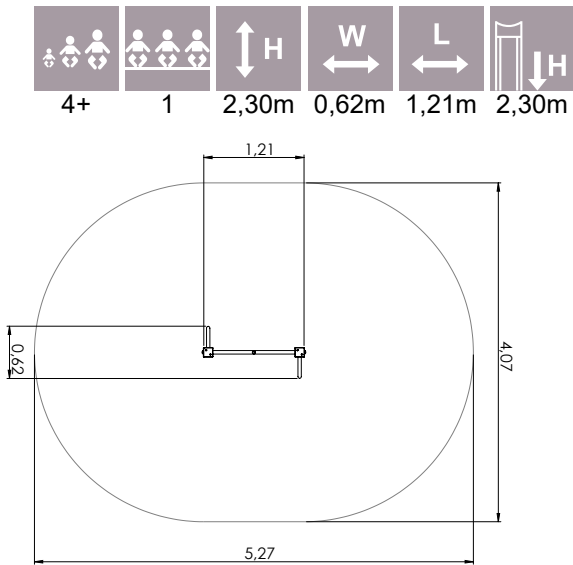


BALANCING AND EXERCISE

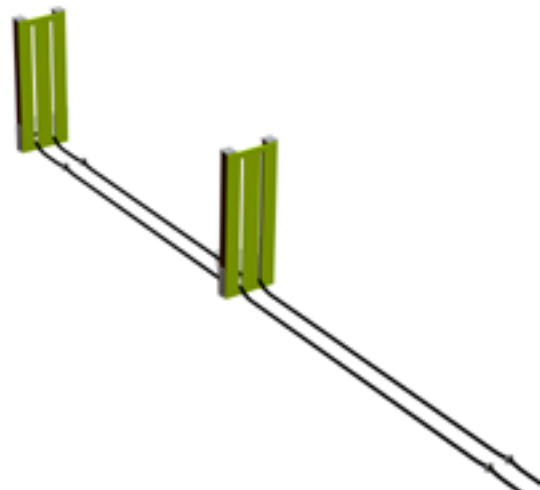
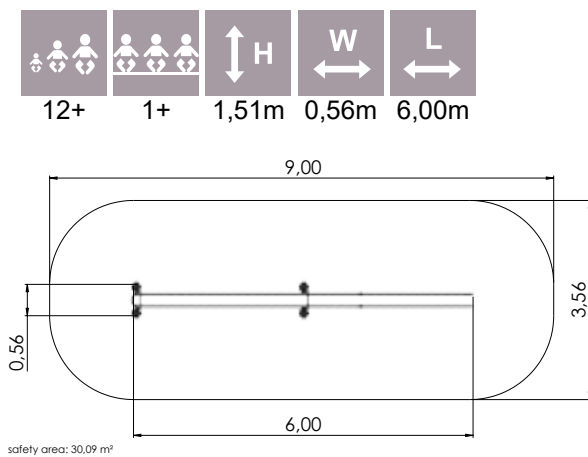
TSV014-1 Outdoor exercise complex 5.1



TSV015 Climbing Rope

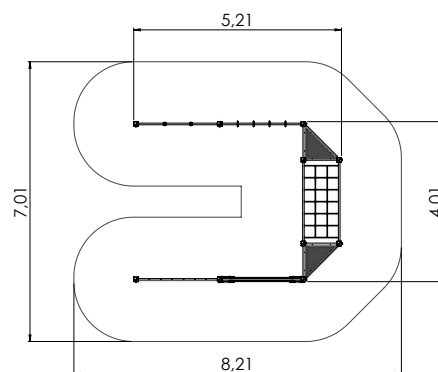
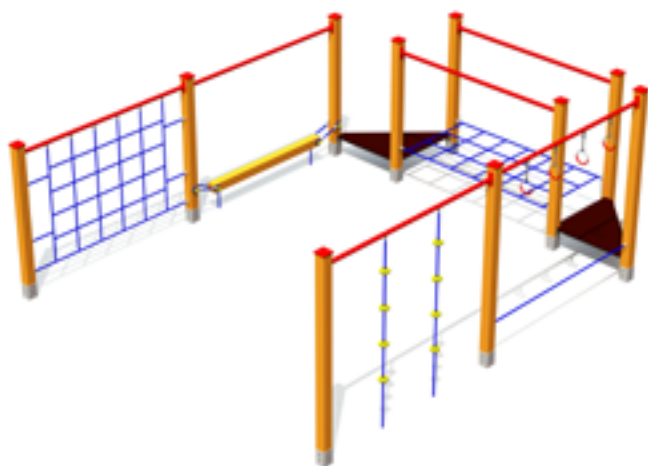


TSV205 Training equipment with ropes

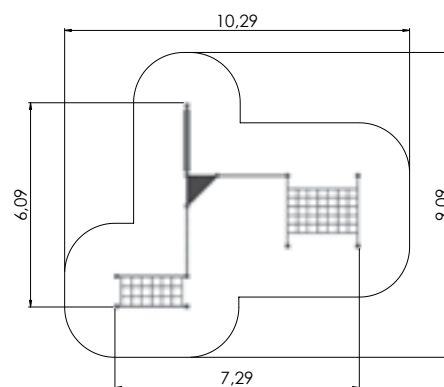
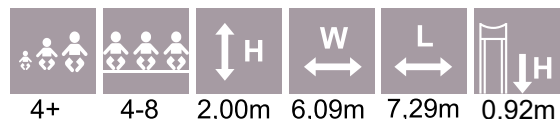
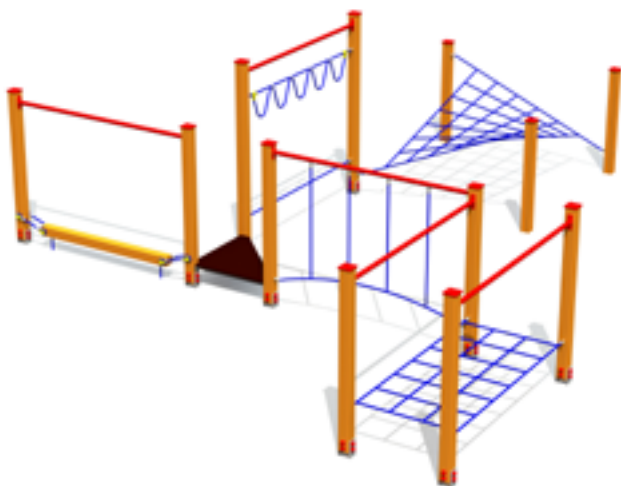


BALANCING AND EXERCISE

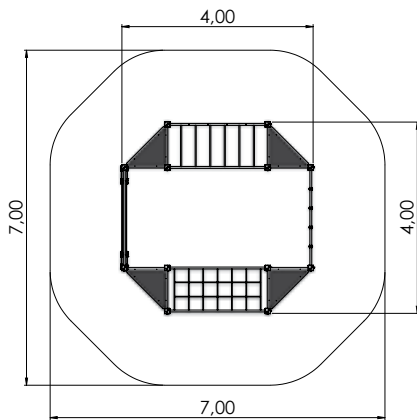
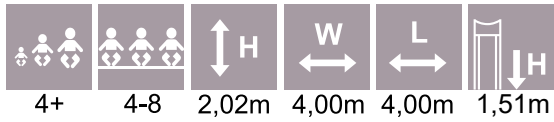
TKR001-1 Balance track 1



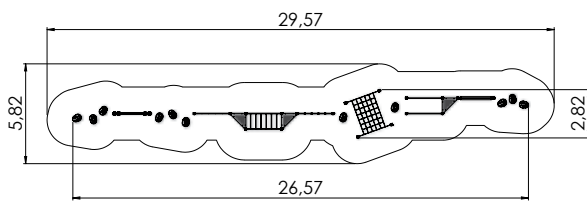
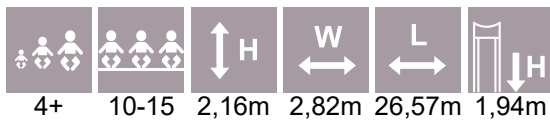
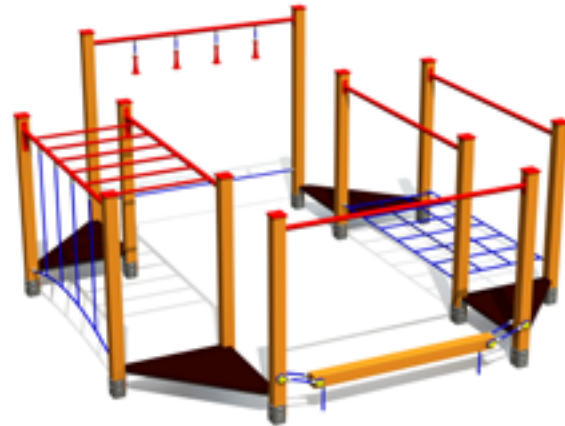
TKR001-2 Balance track 2



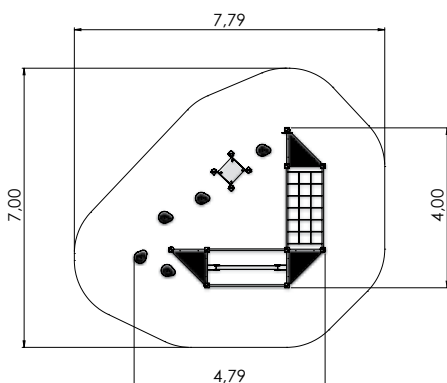
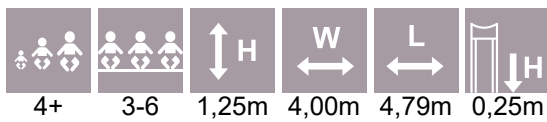
BALANCING AND EXERCISE



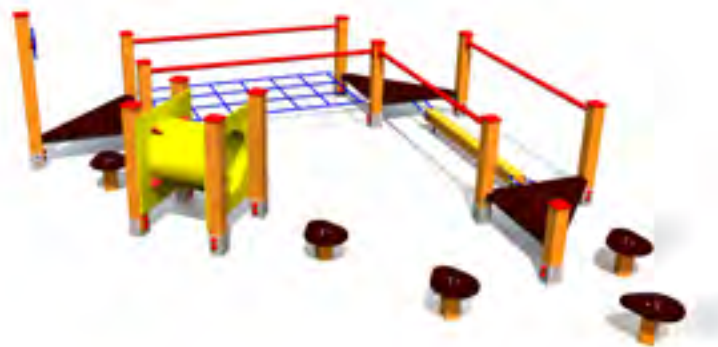
TKR001-4 Balance track 4



TKR001-5 Balance track 5

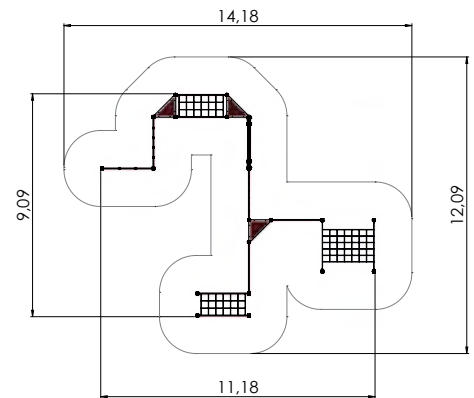
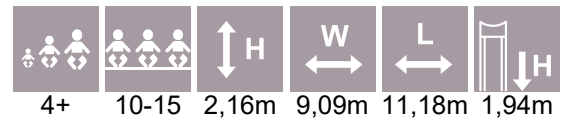


TKR006 Balance track 6

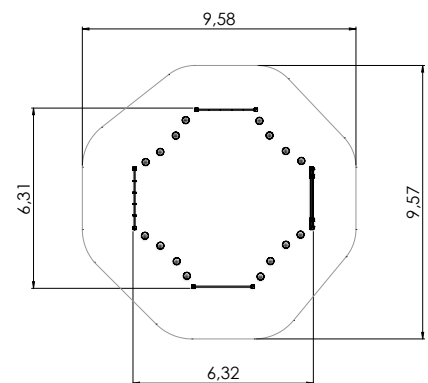
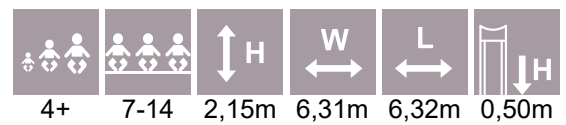
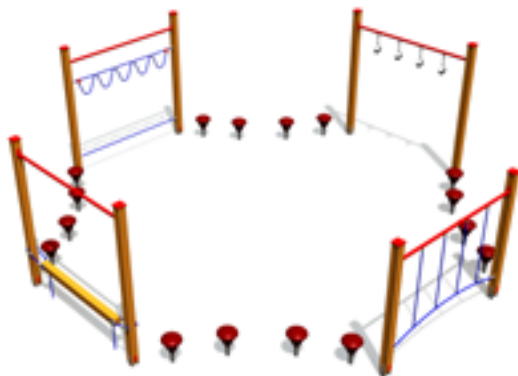


BALANCING AND EXERCISE

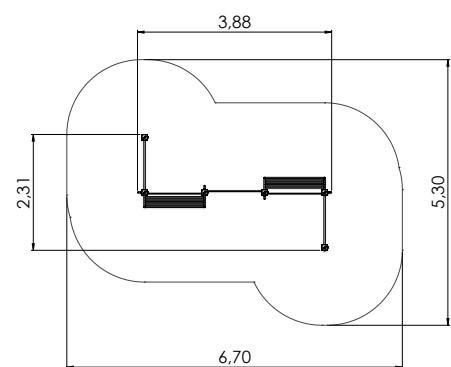
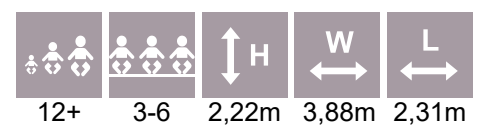
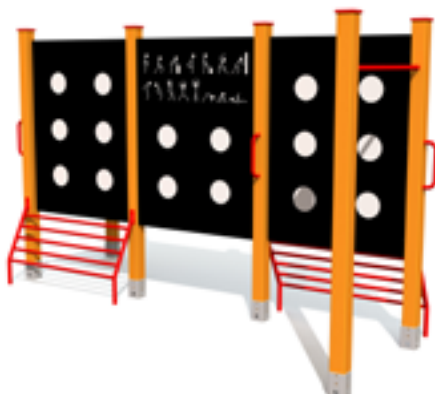
TKR007 Balance track 7



TKR002 Balance track CIRCLE



TSV100 Stretching wall



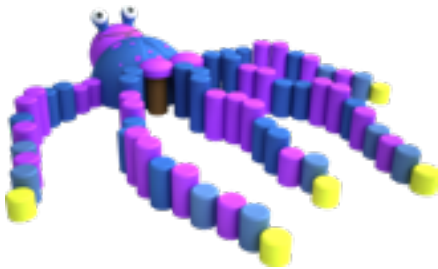
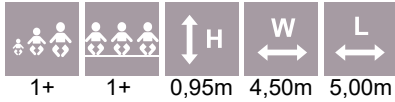
PLAY ELEMENTS



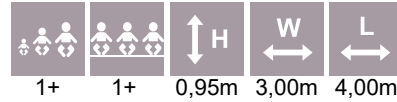
PLAY ELEMENTS

The 3D rubber animals on the playground are real eye-catchers - the exciting bright-coloured creatures draw you near like magnets! Children won't miss out a single opportunity because they can climb on the rubber animals which boost their fantasy and create a fun play environment. Who would not want to fly a ladybird, ride on the back of a huge dog, hug a dolphin or crawl inside a seashell? Small toddlers will be excited by this three-dimensional world into which the playground has turned thanks to the 3D rubber animals. Although the rubber animals are normally attached to the ground, they can be placed loosely meaning that the animals can be rearranged to create new and more exciting play areas.

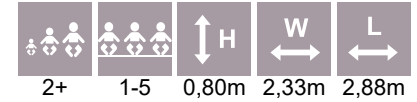
C03 OCTOPUS



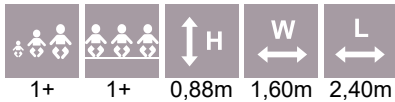
C15 CRAB



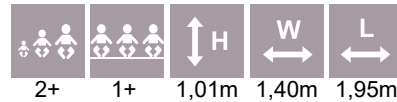
C17 SPIDER



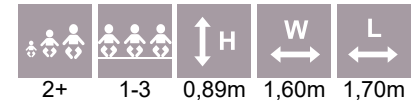
C02 REPTILE



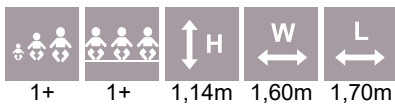
C13 SNAIL



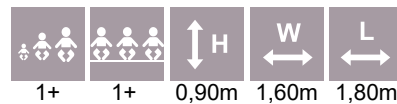
C11 FROG



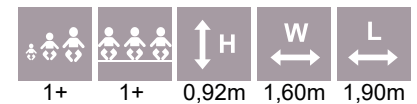
C09 BEE



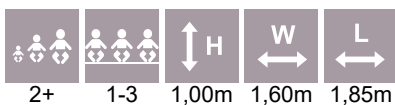
C18 CAT



C22 HARE



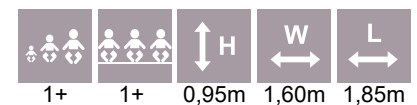
C25 WHALE



C10 DOG



C16 LION

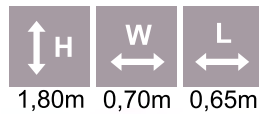
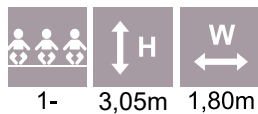


SPORTS EQUIPMENT



SPORTS EQUIPMENT

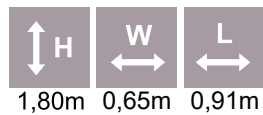
KPK02 Basketball construction for adults *KPK01 Basketball construction for children*



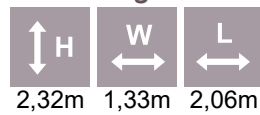
KPK08 Basketball set, backboard 1,2x0,9m, ring with nylon net



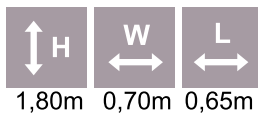
KPK04 Basketball set for children



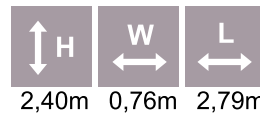
KPK09 Basketball set three heights



KPK05 Basketball set TEDDY BEAR

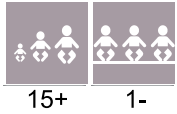


KPK03 Basketball construction with 3 rings TRIO

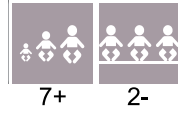


SPORTS EQUIPMENT

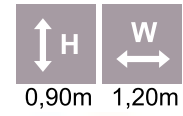
KPKR02 Urban basketball ring with chain-net



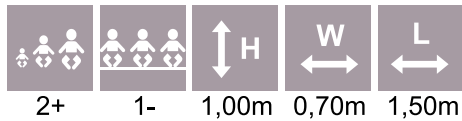
KPKR01 Backboard ring with net



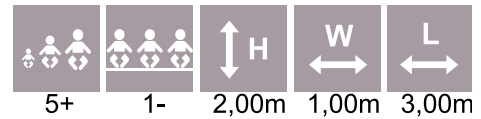
KPKL01 Backboard and a ring (nylon net)



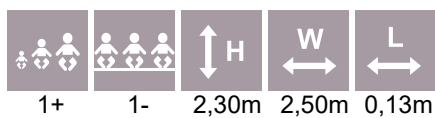
JPV01 Football gate for children 1x1,5m with net



JPV02 Football gate 2x3 m with net



PSE001 Ball wall 2,5x2,3m








SS100 Volleyball metalposts with ground sleeves and net








SPORTS EQUIPMENT

MFS005 Multifunctional Arena wooden 13m x 25m

				
5+	1+	4,14m	13,2m	28,00m








MFS001 Multifunctional Arena wooden 31m x 16m

				
5+	1-	3,75m	31m	16m



MFS002 Multiarena metal 13m x 21m

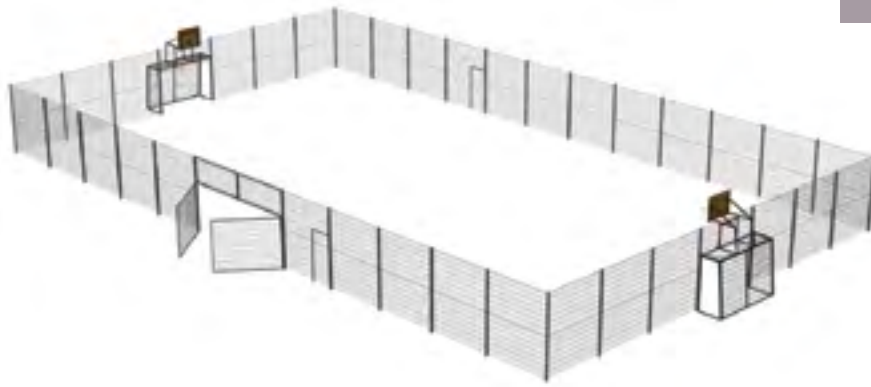
				
5+	1-	3,75m	13m	21m










SPORTS EQUIPMENT





MFS003 Multifunctional Arena metal 18m x 30m



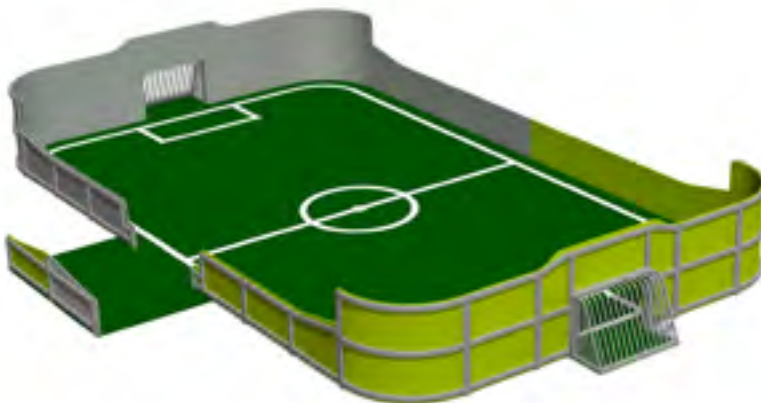
				
5+	1-	3,75m	18m	30m





MFS100 MF FR Multiarena 6m x 4m



			
4+	1,34m	4,12m	7,18m

MFS100-1 MF FR Multiarena 10m x 6m



			
4+	1,34m	7,2m	11,2m

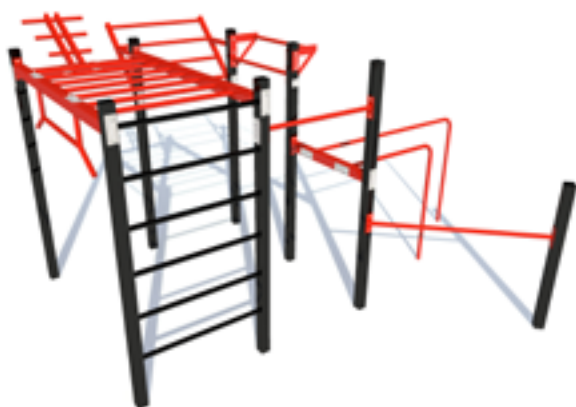


STREET WORKOUT



STREET WORKOUT

WO 02 FLORIDA SET



14+	6	2,70m	4,55m	4,65m	1,50m

WO 01 CALIFORNIA SET



14+	6	2,70m	4,90m	8,20m	1,50m

WO 03 KENTUCKY XS SET






14+	3	2,70m	1,29m	4,69m	1,50m

WO 04 IDAHO SET

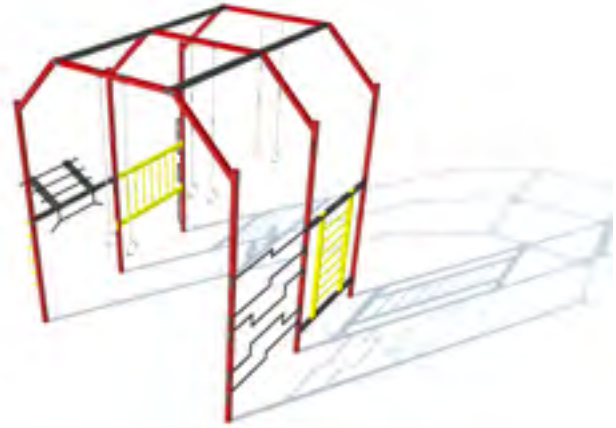








14+	3-6	2,70m	1,29m	7,09m	1,50m

STREET WORKOUT

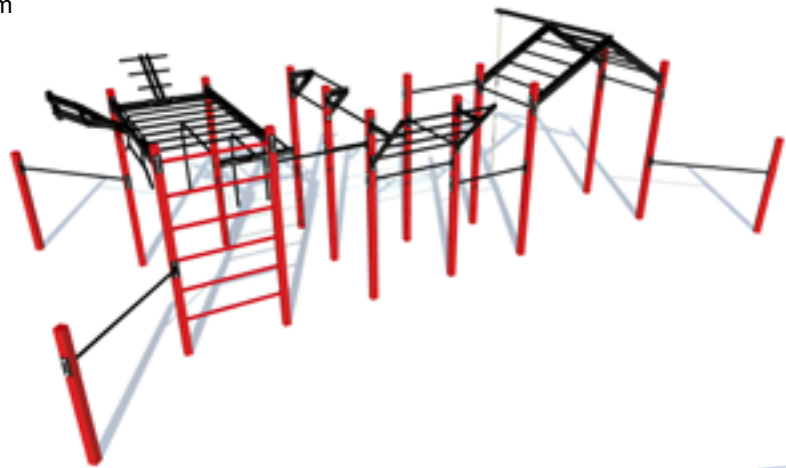
				
14+	3-6	6m	4,89m	5,69m

WO 05 WORKOUT BARN SET



					
14+	5-10	3,00m	5,96m	9,37m	2,2m







WO 06 NEBRASKA SET



STREET WORKOUT







WOS 1 BOSTON SET



					
14+	1-3	2,5m	1,85m	5,28m	2,3m







WOS 2 ATLANTA SET



					
14+	2-4	3,3m	4,65m	5,28m	2,8m




WOS 3 NEW YORK SET



					
14+	3-6	3,3m	5,24m	5,94m	2,8m

WOS 4 WASHINGTON SET



					
14+	4-8	3,3m	6,0m	6,58m	2,8m



TipTop

2-Hand

Use the handgrip to stabilize your body while you exercise. You should be able to hold on to the handgrip without feeling any strain.

1-Hand

Use the handgrip to stabilize your body while you exercise.

Instructions

Use the machine by stepping on the pedals and holding the handgrip. Push the handgrip forward and pull it back. This will work your arms and core.

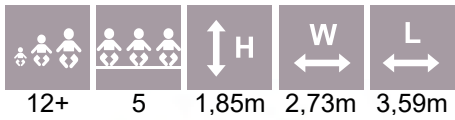
Notes

Use the machine on a flat surface.

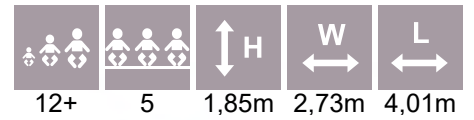
www.tip-top.it

STREET WORKOUT

BFCH-01-02-03-05-12 5D set B



BFCH-02-03-04-05-12 5D set A



1D
Main Pole



2D
Double Main Pole



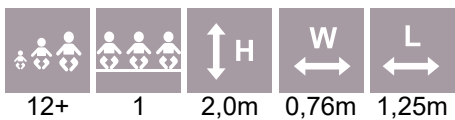
3D
Three-main Pole



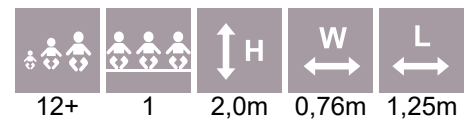
5D
Five-main Pole



BFCH01 Push chair



BFCH02 Pull Chair



STREET WORKOUT

BFCH-04-12 2D set A

12+	2	2,0m	0,71m	3,33m



BFCH-03-05 2D set B

12+	2	2,0m	0,81m	2,08m



BFCH-04-12-15 3D set A

12+	3	1,85m	2,89m	3,18m



BFCH-02-12-15 3D set B

12+	3	1,85m	2,47m	3,32m



BFCH-02-04-05 3D set C

12+	3	1,85m	2,42m	2,57m



BFCH-02-04-12 3D set D

12+	3	1,80m	2,65m	3,18m



STREET WORKOUT

BFCH03 Surfboard

12+	1	2,0m	0,81m	1,15m



BFCH04 Space Walker

12+	1	2,0m	0,83m	1,68m



BFCH05 Seated Pedal Trainer

12+	1	2,0m	0,61m	1,68m



BFCH06 Arm Wheel

12+	1	2,0m	1,14m	0,80m



BFCH08 Waist Movement Trainer

12+	1	2,0m	1,66m	1,09m



BFCH10 Wab Board

12+	1	2,0m	1,53m	1,06m





STREET WORKOUT

BFCH12 Elliptical Cross Trainer

12+	1	2,0m	0,61m	1,52m



BFCH13 Parallel Bars

12+	1	2,0m	1,53m	1,0m



BFCH14 Taiji Wheels

12+	1	2,0m	1,14m	0,88m



BFCH15 Riding Trainer

12+	1	2,0m	0,83m	1,68m



BFCH18 Bicycle

12+	1	2,0m	0,81m	1,15m

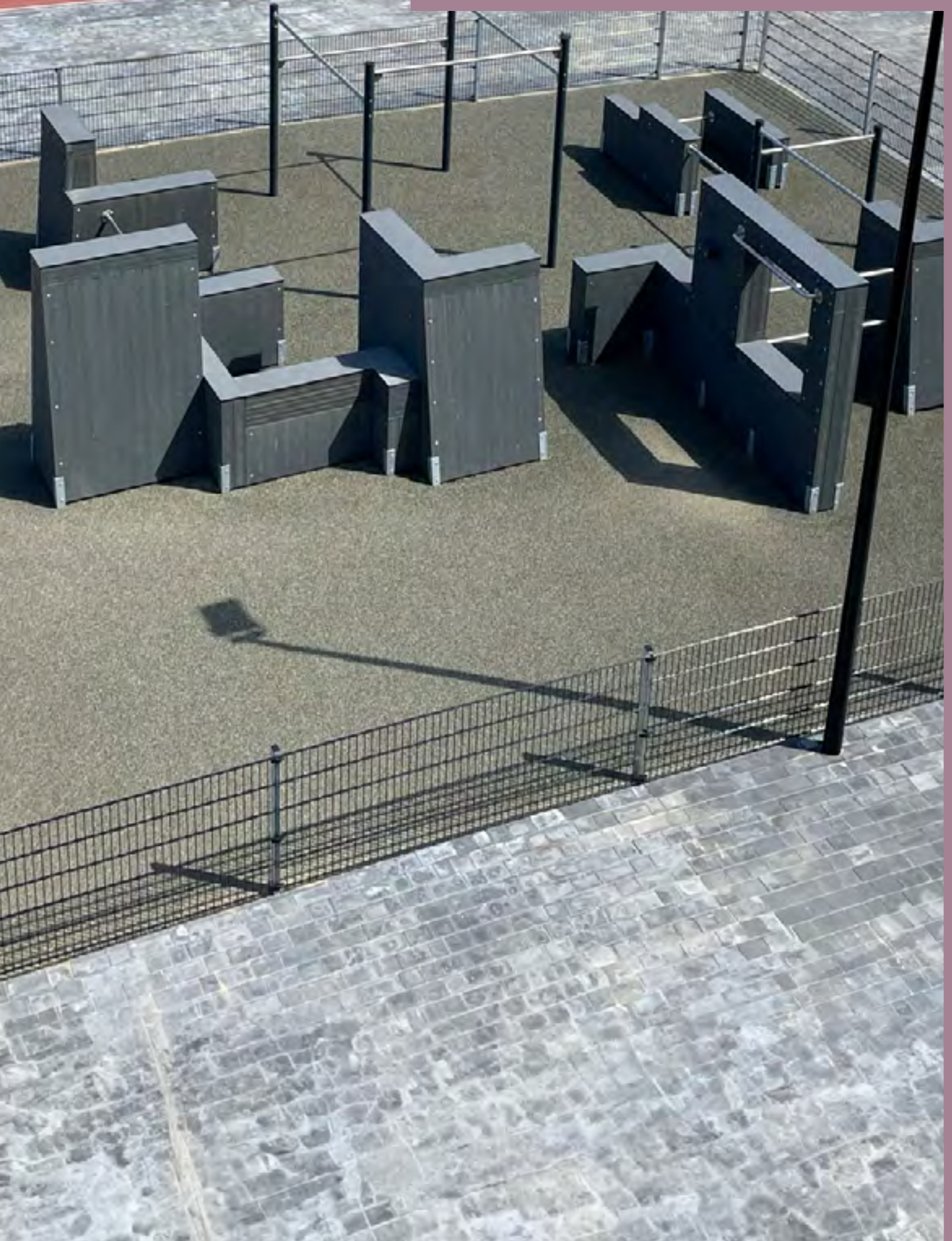


BFCH19 Rowing Trainer

12+	1	2,0m	0,81m	1,15m

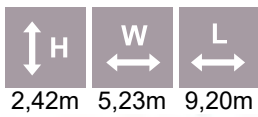


PARKOUR



PARKOUR

PAR101 PARKOUR S



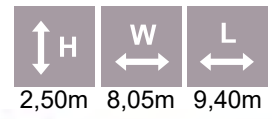
PAR203 PARKOUR PRO S



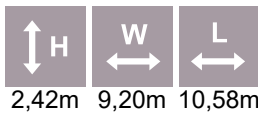
PAR102 PARKOUR M



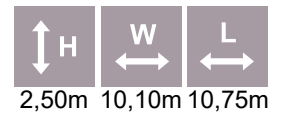
PAR202 PARKOUR PRO M



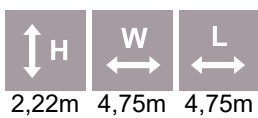
PAR103 PARKOUR L



PAR201 PARKOUR PRO L



PAR104 PARKOUR XS

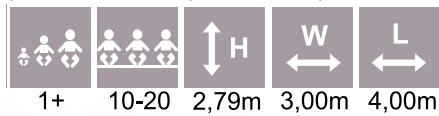


OUTDOOR FURNITURE

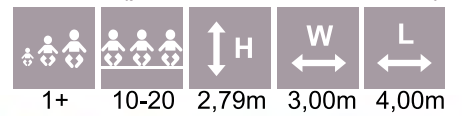


OUTDOOR FURNITURE

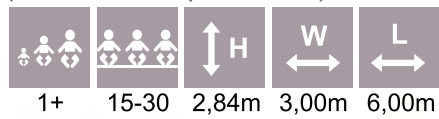
VP001 Shelter with wooden floor, 3x4m
(two walls and plastic roof)



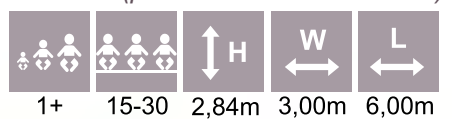
VP002 Shelter 3x4m
(plastic roof and two walls)



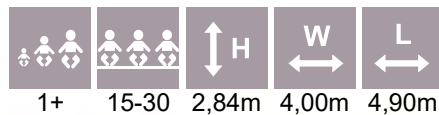
VP003 3x6 Shelter with wooden floor
(two walls and plastic roof)



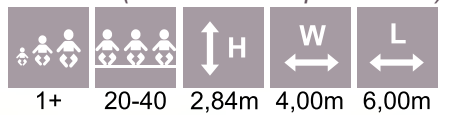
VP004 3x6 Shelter
(plastic roof and two walls)



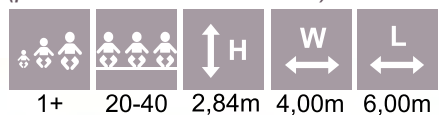
VP010 Shelter with wooden floor, 4x4,9m



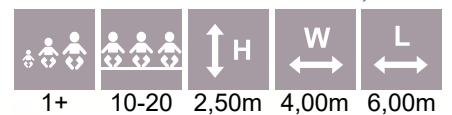
VP005 4x6 Shelter with wooden floor
(two walls and plastic roof)



VP006 4x6 Shelter
(plastic roof and two walls)

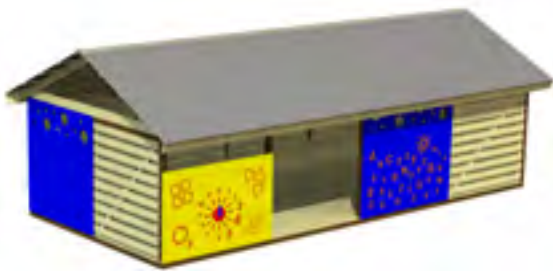
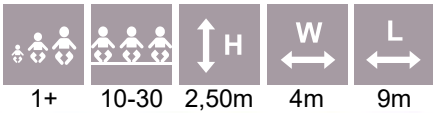


VP007 SHELTER
3 walls, 4x6m



OUTDOOR FURNITURE

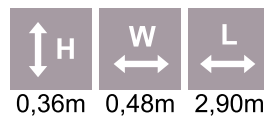
VP100 SHELTER 4x9 m



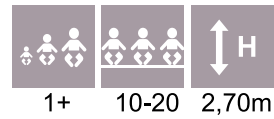
VP008 Storeroom



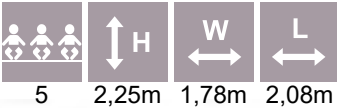
VP009 Storage box with lid



VLE001 Pavilion hexagonal (6 m2)



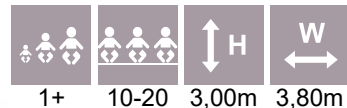
111127 Shelter for 5 bicycles



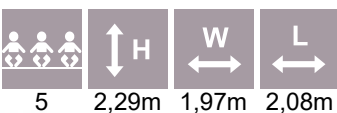
111128 Shelter for 10 bicycles



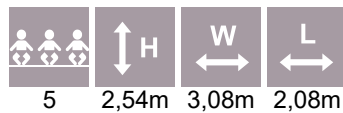
VLE004 Pavilion hexagonal 9,5 m2



111231 Shelter for 5 bicycles



111132 Shelter for 10 bicycles

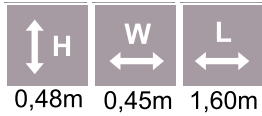


VLE005 Pavilion (14 m2)



OUTDOOR FURNITURE

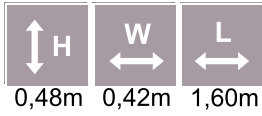
IPPS02 Park bench SAUE



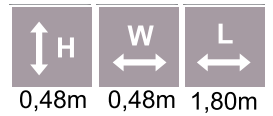
IPPS03 Table SAUE



IPPN01 Park bench HIIU



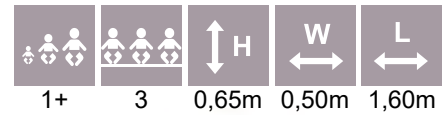
IPPS01 Park bench SAKU



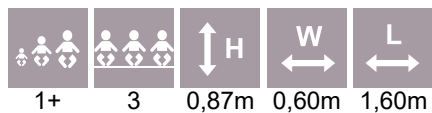
IPPT12 Park bench TISKRE



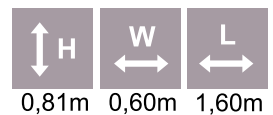
PP204 Park bench SAUGA



PP203 Park bench KIILI

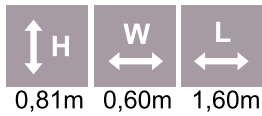


IPPK02 Park bench HARKU

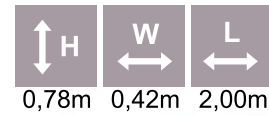


OUTDOOR FURNITURE

IPPT01 Park bench TARTU



HPI001 Rest railing



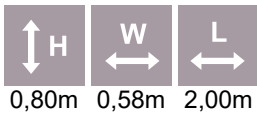
IPPK03 Swing bench LUIGE



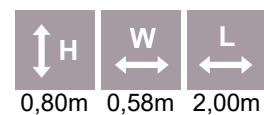
IPPB01 Park bench on concrete legs KERNU



PP303 Park bench KEILA S+



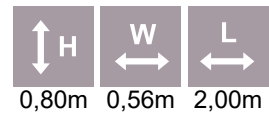
PP302 Park bench KEILA S



PPB403 Park bench on concrete legs KUNDA S+

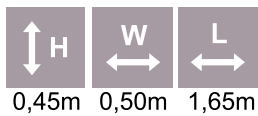


PPB402 Park bench on concrete legs KUNDA S



OUTDOOR FURNITURE

IPPB02 Park bench on concrete legs KOSE



IPPB03 Park bench on concrete legs RAE



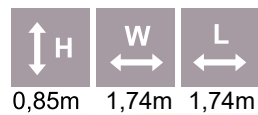
PP100 Park bench PLAZA



PP101 Park bench ROMANTICO



PP002 Picnic table RONDO



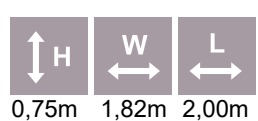
PP009 Picnic table with chess



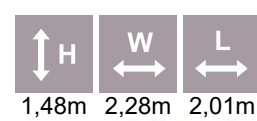
PP005 Picnic table large



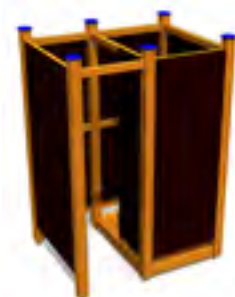
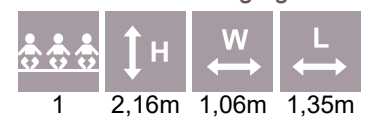
PP007 Park Bench RUSTIC



PP008 Picnic table SIPSIK



CC01 Changing cabin



OUTDOOR FURNITURE



OUTDOOR FURNITURE

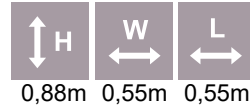
PKR001 Dustbin, 30 L



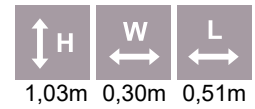
PKR007 Dustbin, 60 L



PA642 Litter bin
REDONDA



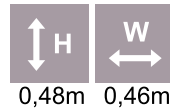
PKR200 Litter bin
ARCO, 85l



PKR003 Concrete trash
bin with tin bucket, 20L



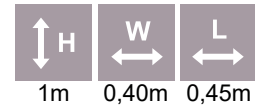
PKR004 Concrete
trash bin with tin
bucket, 20L



PKB002 Concrete trash
bin with cover, 30L

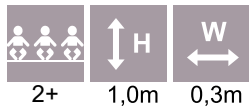


PKR014 Concrete trash,
55L



OUTDOOR FURNITURE

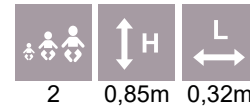
JH001 Bicycle holder 2 places



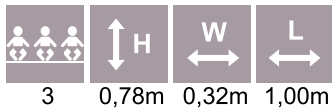
JH004 Bicycle holder, 2 places



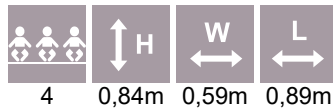
JH004-1 Bicycle holder, 2 places



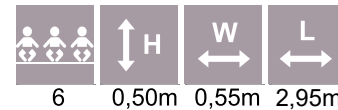
JH003 Bicycle holder 3 places



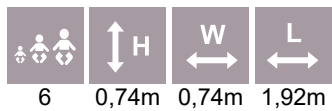
JH005 Bicycle holder, 4 places



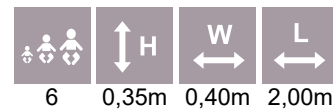
JH002 Bicycle holder 6 places



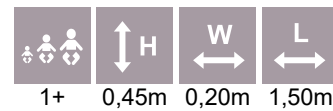
JH007 Bicycle holder, 6 places



JH006 Bicycle holder, 6 places



JH100 Scooters holder 7 places



SAFETY SURFACES - EPDM

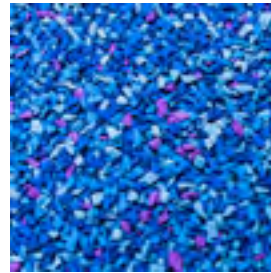
“EPDM granulate complies with the safety standard for playground surfacing, EVS-EN 1177:2018, and holds the relevant TÜV certification. The poured rubber surface is durable and weather-resistant, requiring minimal maintenance and allowing water permeability. Various multi-colored safety underlays for playgrounds, running tracks, etc., can be designed using colored poured rubber granules. EPDM rubber surfaces are available in multiple shades, enabling the creation of exciting, playful, and vibrant playground bases. Additionally, 3D EPDM designs can be incorporated into the surface by pouring them within the rubber layer.

Features of EPDM surfacing:

- Weather-resistant
- Durable
- Water-permeable
- Low maintenance
- Wide range of colors
- No need for replacement like sand, for example
- Can be installed on solid surfaces (asphalt, concrete, compacted fine-grain gravel)
- Easily installed in wavy patterns.

The rubber surface is installed in two layers: the first layer, composed of black SBR rubber, provides softness to the area, and the top layer consists of EPDM granules in various colors. Dry weather and a minimum average temperature of +5°C over 24 hours are required for the installation of the rubber surface. Pressure washing can be used for maintenance to prevent dirt from adhering to the surface. Debris, leaves, and similar dirt can be removed using a brush or leaf blower.”

Most popular mixed colors of EPDM



Ocean mix



Desert mix



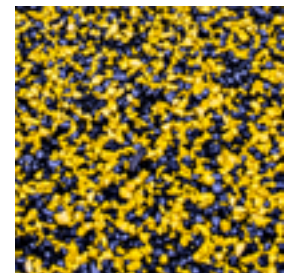
Rainbow mix



Lava mix



Green and black mix



Yellow and black mix

There are many more color options.
Ask your Tiptap sales rep for
more info.



SKATEPARKS





Tiptap

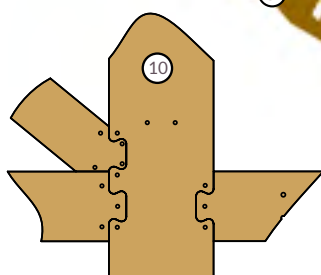
Skateparks

With over 15 years of experience Tiptap offers today more than 200 different solutions. Our skateparks have been developed in partnership with professional riders who know how to challenge their BMX, skateboards, scooters, inliners and more.

Using a skatepark is a great fun but it must be safe. We never compromise on that. Therefore, all our skatepark elements have been manufactured in accordance with the European safety standard EN 14974 and certified by TÜV SÜD GmbH.

The product choice includes both steel and wooden frame elements, either with phenol coated waterproof plywood or professional composite surface- all high quality and weather resistant. Our skateparks evolve in line with the requests and needs of our clients and we try to fulfill the wishes of even the most demanding customers.

Base / Base+



- 1: Hot galvanized steel safety railing.
- 2: Top layer:
BASE Waterproof plywood with antislip phenole film
BASE + Professional riding surface
- 3. Bottom layer: Laminated (FF) waterproof plywood
- 4: Dried, planed and impregnated timber beams. All the beams are mounted in special deepening in plywood.
- 5: Hot galvanized steel sheet.
- 6: Frame made from thick laminated (FF) waterproof plywood.
- 7: Decorative side and back cover made from high quality laminated (FF) waterproof plywood.
- 8: Hot galvanized steel tube
- 9. Unique joint system for smooth connection of riding surface and steel sheet with asphalt or concrete.
- 10. All frame details are connected to each other by a puzzle-type connection to give additional stability and strenght

Steel / Steel PRO

(Steel PRO is maintenance free)

- 1. Hot galvanized steel safety railing.
- 2. Top layer:
STEEL Waterproof plywood with antislip phenole film
STEEL PRO Professional riding surface
- 3. Bottom layer and side and back panels:
STEEL Laminated (FF) waterproof plywood
STEEL+ HDPE
- 4. Frame is made from hot galvanized steel.
- 5. Hot galvanized steel sheet.



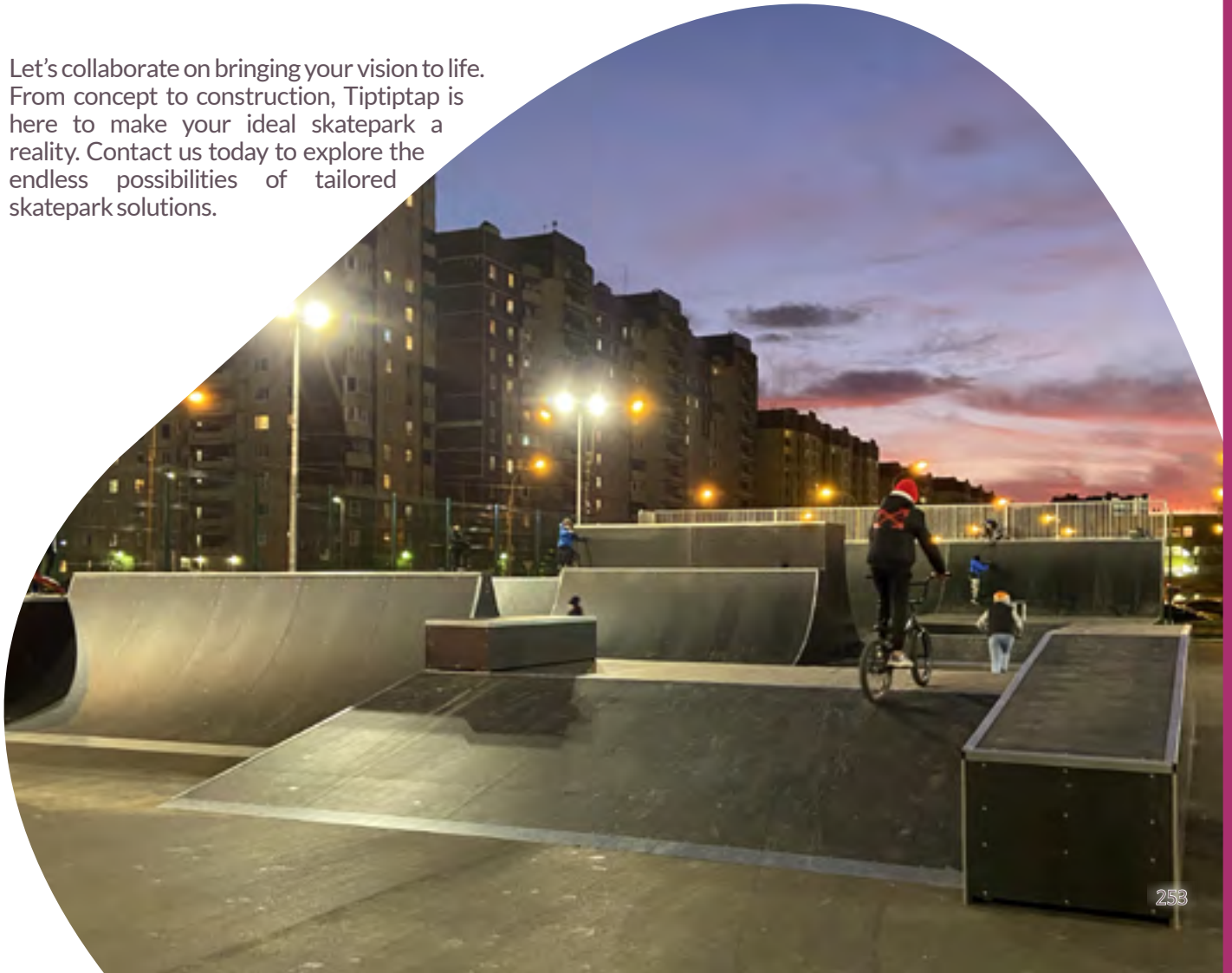
Tailored skatepark solutions

At Tiptaptap, we're dedicated to crafting skatepark experiences that are as unique as your community. Our expert designers and engineers are ready to turn your skatepark dreams into reality, whether you're envisioning a modern urban playground, a classic ramp selection, or a one-of-a-kind combination.



With a focus on seamless integration, we'll work closely with you to ensure our customized solutions fit perfectly within your space, creating an exciting and safe environment for skaters of all levels. Our commitment to safety and quality means you can trust us to deliver not only a thrilling skatepark but also a secure one.

Let's collaborate on bringing your vision to life. From concept to construction, Tiptaptap is here to make your ideal skatepark a reality. Contact us today to explore the endless possibilities of tailored skatepark solutions.



SKATEPARKS

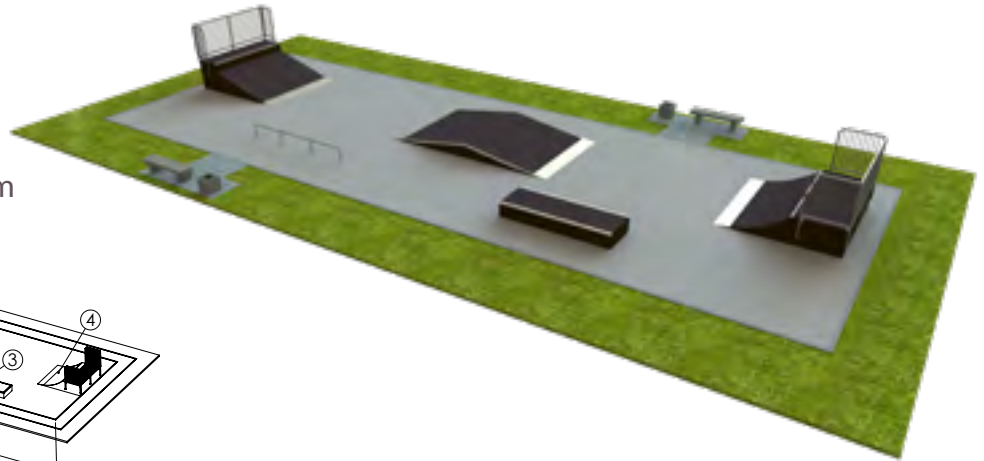
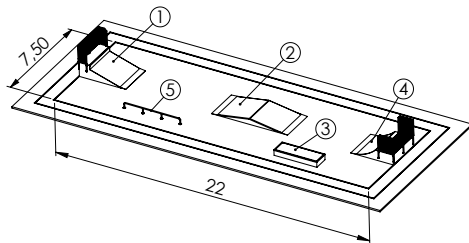
To make clients' choice easier our experienced skatepark development team has developed over 40 ready-made skatepark solutions. These are suitable for skateboarders and skaters as well as riders with BMX bikes and scooters.

This can be described as a classic skatepark. Advantage of this type of skatepark solutions is that they have been already designed for skatepark users and you only have to choose the one that suits your park requirements and budget. Our ready-made solutions can be placed on any flat surface, such as concrete or asphalt.

Best selling ready-made skatepark solutions

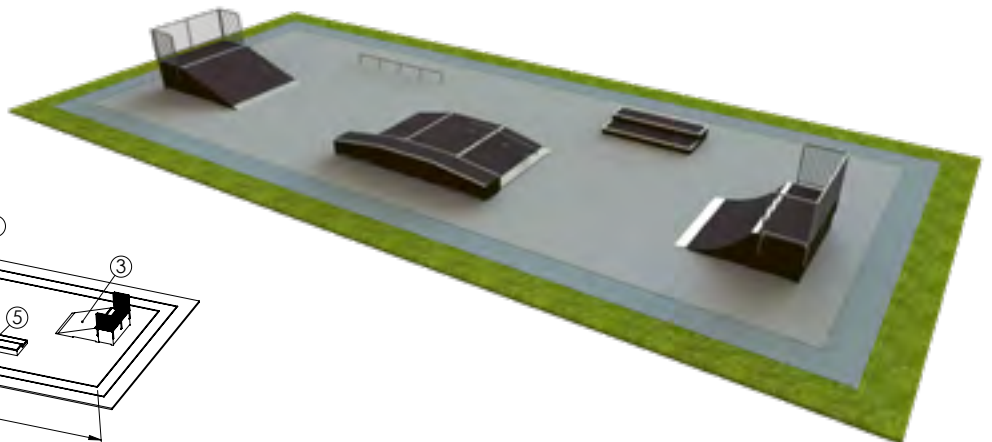
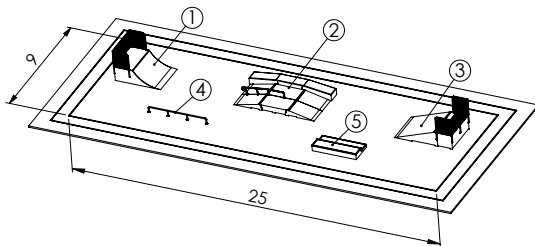
B100

Park area: 165m²
Riding surface: 33m²
Dimensions: 22x7,5x1m



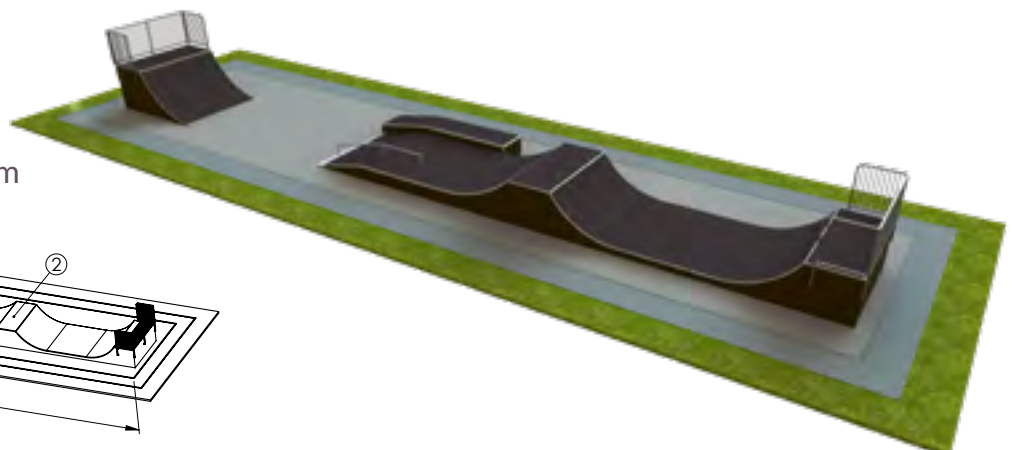
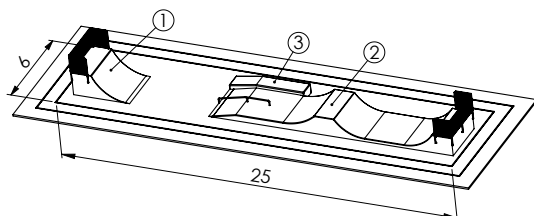
B105

Park area: 225m²
Riding surface: 40m²
Dimensions: 25x9x1m



B110

Park area: 150m²
Riding surface: 64m²
Dimensions: 25x6x1,5m







Tiptiptap OÜ
Saha-Loo tee 8, Iru
Jõelähtme vald, 74206
Harjumaa, Estonia
Phone +372 657 6222
E-mail info@tiptiptap.ee
www.tiptiptap.ee